

A stylized logo featuring a torch with a flame, positioned above a five-pointed star. The logo is rendered in a light blue-grey color against a dark blue background with a textured, wood-grain-like pattern. A solid red diagonal stripe runs from the top left towards the bottom right, partially overlapping the dark blue area.

# 2015 **USATF**<sup>TM</sup>

*COMPETITION RULES*



## *2015 COMPETITION RULES*

- ◆ Track & Field
- ◆ Long Distance Running
- ◆ Race Walking
  - Open
  - Junior
  - Youth Athletics
  - Masters

### **Rules Editor**

John C. Blackburn

### **Associate Rules Editors**

George Kleeman, Raymond Pierre  
Bob Podkaminer, Dan Pierce

Copyright ©2015

An official publication of USA Track & Field  
132 E. Washington St., Indianapolis, IN 46204-3723  
317-261-0500 | Fax 317-261-0514 | [www.usatf.org](http://www.usatf.org)

USA Track & Field is the National Governing Body for  
Track and Field, Long Distance Running and Race Walking,  
and is the United States member of the  
International Association of Athletics Federations

# 2015

January						
S	M	T	W	T	F	S
				1	2	3
4	5	6	7	8	9	10
11	12	13	14	15	16	17
18	19	20	21	22	23	24
25	26	27	28	29	30	31

February						
S	M	T	W	T	F	S
1	2	3	4	5	6	7
8	9	10	11	12	13	14
15	16	17	18	19	20	21
22	23	24	25	26	27	28

March						
S	M	T	W	T	F	S
1	2	3	4	5	6	7
8	9	10	11	12	13	14
15	16	17	18	19	20	21
22	23	24	25	26	27	28
29	30	31				

April						
S	M	T	W	T	F	S
			1	2	3	4
5	6	7	8	9	10	11
12	13	14	15	16	17	18
19	20	21	22	23	24	25
26	27	28	29	30		

May						
S	M	T	W	T	F	S
					1	2
3	4	5	6	7	8	9
10	11	12	13	14	15	16
17	18	19	20	21	22	23
24	25	26	27	28	29	30
31						

June						
S	M	T	W	T	F	S
	1	2	3	4	5	6
7	8	9	10	11	12	13
14	15	16	17	18	19	20
21	22	23	24	25	26	27
28	29	30				

July						
S	M	T	W	T	F	S
			1	2	3	4
5	6	7	8	9	10	11
12	13	14	15	16	17	18
19	20	21	22	23	24	25
26	27	28	29	30	31	

August						
S	M	T	W	T	F	S
						1
2	3	4	5	6	7	8
9	10	11	12	13	14	15
16	17	18	19	20	21	22
23	24	25	26	27	28	29
30	31					

September						
S	M	T	W	T	F	S
		1	2	3	4	5
6	7	8	9	10	11	12
13	14	15	16	17	18	19
20	21	22	23	24	25	26
27	28	29	30			

October						
S	M	T	W	T	F	S
				1	2	3
4	5	6	7	8	9	10
11	12	13	14	15	16	17
18	19	20	21	22	23	24
25	26	27	28	29	30	31

November						
S	M	T	W	T	F	S
1	2	3	4	5	6	7
8	9	10	11	12	13	14
15	16	17	18	19	20	21
22	23	24	25	26	27	28
29	30					

December						
S	M	T	W	T	F	S
		1	2	3	4	5
6	7	8	9	10	11	12
13	14	15	16	17	18	19
20	21	22	23	24	25	26
27	28	29	30	31		

# 2016

January						
S	M	T	W	T	F	S
					1	2
3	4	5	6	7	8	9
10	11	12	13	14	15	16
17	18	19	20	21	22	23
24	25	26	27	28	29	30
31						

February						
S	M	T	W	T	F	S
	1	2	3	4	5	6
7	8	9	10	11	12	13
14	15	16	17	18	19	20
21	22	23	24	25	26	27
28	29					

March						
S	M	T	W	T	F	S
		1	2	3	4	5
6	7	8	9	10	11	12
13	14	15	16	17	18	19
20	21	22	23	24	25	26
27	28	29	30	31		

April						
S	M	T	W	T	F	S
					1	2
3	4	5	6	7	8	9
10	11	12	13	14	15	16
17	18	19	20	21	22	23
24	25	26	27	28	29	30

May						
S	M	T	W	T	F	S
1	2	3	4	5	6	7
8	9	10	11	12	13	14
15	16	17	18	19	20	21
22	23	24	25	26	27	28
29	30	31				

June						
S	M	T	W	T	F	S
			1	2	3	4
5	6	7	8	9	10	11
12	13	14	15	16	17	18
19	20	21	22	23	24	25
26	27	28	29	30		

July						
S	M	T	W	T	F	S
					1	2
3	4	5	6	7	8	9
10	11	12	13	14	15	16
17	18	19	20	21	22	23
24	25	26	27	28	29	30
31						

August						
S	M	T	W	T	F	S
	1	2	3	4	5	6
7	8	9	10	11	12	13
14	15	16	17	18	19	20
21	22	23	24	25	26	27
28	29	30	31			

September						
S	M	T	W	T	F	S
				1	2	3
4	5	6	7	8	9	10
11	12	13	14	15	16	17
18	19	20	21	22	23	24
25	26	27	28	29	30	

October						
S	M	T	W	T	F	S
						1
2	3	4	5	6	7	8
9	10	11	12	13	14	15
16	17	18	19	20	21	22
23	24	25	26	27	28	29
30	31					

November						
S	M	T	W	T	F	S
		1	2	3	4	5
6	7	8	9	10	11	12
13	14	15	16	17	18	19
20	21	22	23	24	25	26
27	28	29	30			

December						
S	M	T	W	T	F	S
				1	2	3
4	5	6	7	8	9	10
11	12	13	14	15	16	17
18	19	20	21	22	23	24
25	26	27	28	29	30	31

# 2017

January						
S	M	T	W	T	F	S
1	2	3	4	5	6	7
8	9	10	11	12	13	14
15	16	17	18	19	20	21
22	23	24	25	26	27	28
29	30	31				

February						
S	M	T	W	T	F	S
			1	2	3	4
5	6	7	8	9	10	11
12	13	14	15	16	17	18
19	20	21	22	23	24	25
26	27	28				

March						
S	M	T	W	T	F	S
			1	2	3	4
5	6	7	8	9	10	11
12	13	14	15	16	17	18
19	20	21	22	23	24	25
26	27	28	29	30	31	

April						
S	M	T	W	T	F	S
						1
2	3	4	5	6	7	8
9	10	11	12	13	14	15
16	17	18	19	20	21	22
23	24	25	26	27	28	29
30						

May						
S	M	T	W	T	F	S
	1	2	3	4	5	6
7	8	9	10	11	12	13
14	15	16	17	18	19	20
21	22	23	24	25	26	27
28	29	30	31			

June						
S	M	T	W	T	F	S
				1	2	3
4	5	6	7	8	9	10
11	12	13	14	15	16	17
18	19	20	21	22	23	24
25	26	27	28	29	30	

July						
S	M	T	W	T	F	S
						1
2	3	4	5	6	7	8
9	10	11	12	13	14	15
16	17	18	19	20	21	22
23	24	25	26	27	28	29
30	31					

August						
S	M	T	W	T	F	S
		1	2	3	4	5
6	7	8	9	10	11	12
13	14	15	16	17	18	19
20	21	22	23	24	25	26
27	28	29	30	31		

September						
S	M	T	W	T	F	S
					1	2
3	4	5	6	7	8	9
10	11	12	13	14	15	16
17	18	19	20	21	22	23
24	25	26	27	28	29	30

October						
S	M	T	W	T	F	S
1	2	3	4	5	6	7
8	9	10	11	12	13	14
15	16	17	18	19	20	21
22	23	24	25	26	27	28
29	30	31				

November						
S	M	T	W	T	F	S
			1	2	3	4
5	6	7	8	9	10	11
12	13	14	15	16	17	18
19	20	21	22	23	24	25
26	27	28	29	30		

December						
S	M	T	W	T	F	S
					1	2
3	4	5	6	7	8	9
10	11	12	13	14	15	16
17	18	19	20	21	22	23
24	25	26	27	28	29	30
31						

## USATF AND ALLIED GOVERNING BODIES

### **USATF National Headquarters**

132 E. Washington St., Suite 800  
Indianapolis, IN 46204-3723

Main Switchboard: 317-261-0500

Main Fax: 317-261-0481

Website: [www.usatf.org](http://www.usatf.org)

### **International Association of Athletic Federations (IAAF)**

BP 88 Dakar, Senegal or  
17 rue Princesse Florestine,  
BP359, MC 98007 Monaco Cedex

Tel: +377 93 10 88 88

Fax: +377 93 15 95 15

Website: [www.iaaf.org](http://www.iaaf.org)

### **United States Olympic Committee (USOC)**

27 South Tejon  
Colorado Springs, CO 80903

719-632-5551

Fax 719-578-4654

[www.usoc.org](http://www.usoc.org)

### **United States Anti-Doping Association (USADA)**

5555 Tech Center Drive, Suite 200  
Colorado Springs, Colorado 80919-2372  
[www.usada.org](http://www.usada.org)

719-785-2000

Toll Free 866-601-2632

Fax 719-785-2001

Hotline 800-233-0393

### **U.S. Paralympics**

One Olympic Plaza  
Colorado Springs, CO 80909

719-866-2030

Fax 719- 866-2029

[www.usparalympics.org](http://www.usparalympics.org)

## USATF ARTICLE 5-C MEMBER ORGANIZATIONS

### **National Association of Intercollegiate Athletics (NAIA)**

1200 Grand Blvd.  
Kansas City, MO 64106

816-595-5000 x105

Fax 816-595-8200

[www.naia.org](http://www.naia.org)

### **National Collegiate Athletic Association (NCAA)**

PO Box 6222  
Indianapolis, IN 46206-6222

317-917-6222

Fax 317-917-6888

[www.ncaa.org](http://www.ncaa.org)

### **National Federation of State High School Associations (NFSHA)**

PO Box 690  
Indianapolis, IN 46206-0690

317-972-6900

Fax 317-822-5700

[www.nfsha.org](http://www.nfsha.org)

### **National Junior College Athletic Association (NJCAA)**

c/o Scottsdale Community College  
9000 E. Chaparral Road  
Scottsdale, AZ 85256-2626

480-423-6616

Fax 480-423-6663

[www.njcaa.org](http://www.njcaa.org)

**Road Runners Club of America (RRCA)**

1501 Lee Highway, Suite 140  
Arlington, VA 22209

703-525-3890  
Fax 703-525-3891  
www.rrca.org

**Running USA (RUSA)**

PO Box 1988  
Colorado Springs, CO 80901

719-434-2575  
www.runningusa.org

**USATF ARTICLE 5-D MEMBER ORGANIZATIONS**

**All American Trail Running Association (AATRA)**

PO Box 9454  
Colorado Springs, CO 80932

Office 719-573-4405  
Fax 719-573-4408  
www.trailrunner.com

**Amateur Athletic Union (AAU)**

AAU National Headquarters  
PO Box 22409  
Lake Buena Vista, FL 32830

Office 407-934-7200  
Fax 407-934-7242  
www.aausports.org

**American Ultrarunning Association (AUA)**

4 Strawberry Lane  
Morristown, NJ 20814

973-898-1261  
aua@americanultra.org

**National Senior Games Association (NSGA)**

PO Box 82059  
Baton Rouge, LA 70884-2059

225-766-6800  
Fax 225-766-9115  
www.nsga.com

**U.S. Armed Forces Sports (USAF)**

Armed Forces Sports - Summit Centre  
4700 King Street  
Alexandria, VA 22302-4418

703-681-1614  
Fax 703-681-1616  
dticam.dtic.mil/dodsports/

**United States Corporate Athletics Association (USCAA)**

844 Racquet Lane  
Boulder, CO 80303

303-494-0107  
holtzgard2@aol.com

**U.S. Meet Directors Association (USMDA)**

738 Main Street, Suite 212  
Waltham, MA 02451

Fax 781-647-4037  
aa.tf@juno.com

**YMCA of the USA (YMCA)**

101 N. Wacker Dr.  
Chicago, IL 60606

800-872-9622  
312-977-0031  
Fax 312-977-9063  
www.ymca.net

## NOTES



## NOTES

# TABLE OF CONTENTS

## ARTICLE I Championship Events and USA Olympic Team Selection SECTION I GENERAL

	Rule	Page
National Championships	1	9
Regional Championships	2	10
Association Championships	3	11
Eligibility for Team Championships	4	11
Awards	5	11
General	6	12
Team Scoring	7	14
Automatic Qualification	8	15
Non-Championship Competitions	9	16

## SECTION II MEN'S AND WOMEN'S TRACK AND FIELD CHAMPIONSHIPS

Outdoor Track and Field Championships	10	17
Indoor Track and Field Championships	11	19
National Track and Field Club Championships	12	20
Other Championships	13	21
Transferring Membership Prior to Championships	14	23

## SECTION III CROSS COUNTRY & LONG DISTANCE RUNNING CHAMPIONSHIPS

Men's and Women's Cross Country Championships	15	24
Long Distance Running Championships - Men	16	25
Long Distance Running Championships - Women	20	26
Mountain, Ultramarathon and Trail Championships	21	27

## SECTION IV RACE WALKING CHAMPIONSHIPS

Championship Events - Men and Women	25	28
-------------------------------------	----	----

## SECTION V OLYMPIC TEAM SELECTION

U.S. Olympic Selection	27	29
------------------------	----	----

## ARTICLE II MEDICAL SERVICES AND DOPING CONTROL

Doping	32	30
Athlete Fitness and Waiver	49	32

## ARTICLE III

## Officials

Meet Personnel	110	33
Games Committee	111	34
National Technical Officials	115	35
Photo Finish Operator	118	35
Jury of Appeal	119	36
Technical Manager	123	37
Event Presentation Manager	124	37
Referee	125	37
Judges	126	39
Umpires	127	40
Timers, Photo Finish Judges, Transponder Timing Judges	128	41
Starter and Recall Starter	129	42
Lap Scorers	131	43
Competition Secretary/Technical Information Center (TIC)	132	44
Marshal	133	44
Announcer	134	44
Surveyor	135	44
Wind Gauge Operator	136	45
Electronic Measurement Judge	137	45
Clerk of Course	138	45
Additional Officials	139	46
Competition Area	140	47

## ARTICLE IV

### Rules of Competition

#### SECTION I

#### GENERAL

Classifications	141	48
Competitor Check-In	142	48
Athletic Attire	143	49
Assistance to Athletes	144	51
Disqualification	145	53
Protests	146	54
Mixed Competition	147	55
Measurements and Weights	148	56
Validity of Performance	149	56
Video Recording	150	57
Correctable Error	158	57
Electronic Devices	159	57
Track Lanes and Measurements	160	57
Starting Blocks	161	59
The Start	162	60
Running Competition	163	63
The Finish Line	164	65
Timing	165	66

**SECTION II**  
**TRACK EVENTS**

Regulations for Forming Heats	166	70
Running Event Ties	167	75
Hurdles	168	75
Steeplechase	169	77
Relay Races	170	78

**SECTION III**  
**FIELD EVENTS**

General Rules	180	82
High Jump and Pole Vault	181	88
High Jump	182	92
Pole Vault	183	93
Horizontal Jump	184	94
Long Jump	185	95
Triple Jump	186	96
Throwing Events-General Rules	187	97
Putting the Shot	188	101
Throwing the Discus	189	102
Hammer, Discus, and Weight Throwing Cage	190	103
Throwing the Hammer	191	103
Throwing the Javelin	193	104
Throwing the Weight	195	107
The Ultraweight	196	109

**SECTION IV**  
**COMBINED EVENTS**

Events - General Rules	200	111
Throws Pentathlon	201	114
Throw-A-Thon	202	115
Ultraweight Pentathlon	203	115

**Section V**  
**Indoor Competitions**

Applicability of Indoor Rules	210	117
Indoor Stadium	211	117
Track Lanes & Measurement	212	117
Regulations for Forming Heats	214	118
Shoes	216	121
Hurdles	217	121
Relay Races	218	121
High Jump	219	122
Pole Vault	220	122
Horizontal Jumps	221	122
Shot Put/Weight Throw	222	122
Combined Events	223	123

**SECTION VI  
RACE WALKING**

Judges of Race Walking	230	124
Race Walking Officials	231	126
General Rules	232	126

**SECTION VII  
LONG DISTANCE AND ROAD EVENTS RUNNING AND WALKING**

Course Certification	240	128
Medical and Refreshment Services for Road Events	241	128
Starting a Running Event	242	129
Course Marking and Monitoring	243	130
The Finish Line	244	131
Scoring Running Events	246	131

**SECTION VIII  
CROSS COUNTRY, MOUNTAIN AND TRAIL RUNNING**

General	250	132
Course	251	132
Start	252	133
Mountain Running	253	133
Trail Racing	254	134
Apparel	255	135
Finish	256	135

**ARTICLE V  
Records**

World Records	260	136
National Records	261	137
Rules Applicable to All Records	262	138
Rules Applicable to Track Events	263	140
Rules Applicable to Field Events	264	141
Rules Applicable to Long Distance Running Events	265	142
Rules Applicable to Race Walking Events	266	143
Events in Which Records Are Recognized	267	144
Noteworthy Performances	268	148

**ARTICLE VI  
Special Programs  
SECTION I  
YOUTH ATHLETICS**

General Rules	300	149
Track and Field Events	301	152
Regulations and Specifications	302	153
Regulations for Lanes and Heats	303	158
National Cross Country Program	304	161
Junior Olympics Program	305	161
Special Events and Programs	306	164

**SECTION II  
MASTERS ATHLETICS**

General Rules	320	165
---------------	-----	-----

**SECTION II -A  
MASTERS TRACK AND FIELD AND RACEWALKING**

General Rules	330	166
Masters Track and Field Championships	331	166
Competitive Rules and Standards for Masters Track and Field	332	168
Masters Race Walking Championships	333	172

**SECTION II -B  
MASTERS LONG DISTANCE RUNNING**

General Rules	340	173
Masters Long Distance Championships	341	173
Illustrations		175
Special Section: Adaptations for ParaAthletes		192

## NOTES

## EDITOR'S NOTE

The rules applicable to domestic competition in Athletics -- track and field, race walking, road running and cross country -- are approved by USA Track & Field. These rules generally conform to those of the International Association of Athletics Federations (IAAF). Amendments to USA Track & Field's rules may be adopted at its Annual Meeting, based upon the recommendations of its Rules Committee. Inquiries regarding USATF or IAAF rules of competition may be addressed to the undersigned.

John C. Blackburn, Chair, Rules Committee

### CHAIR

John Blackburn Home 843-814-2907 john@speedfish.com

### VICE CHAIR

George Kleeman Home 925-229-2927 george\_kleeman@comcast.net

### SECRETARY

Bob Podkaminer Home 707-545-1781 rpodkam@aol.com

Rich Benoy 310-748-7650 rbenoy1323@yahoo.com

Amber Campbell

Kenny Emerick Home 206-361-2234 ken123e@aol.com

Phil Greenwald 917-349-8432 greenwaldp@worldnet.att.net

David Greifinger Office 310-452-7923 tracklaw@verizon.net

Jeff Hartwig 870-926-3440 pvjeff@gmail.com

Bill Hickman Home 206-284-1028 whickman@rmlaw.com

David Katz Home 516-883-5599 katz@flrrt.com

Mark Kostek 515-208-8300 kostek@midlandu.edu

Nina Kuscik louise11ny@aol.com

Dexter McCloud 404-964-5781 dexter1814@att.net

Bill McKee Home 918-832-9820 usatfok@aol.com

Dennis Mitchell 330-571-4189 dwmitch@uakron.edu

Dan Pierce 303-931-4690 dptrack@gmail.com

Raymond Pierre 254-722-3903 raymondpierre@sbcglobal.net

Patrick Pretty papret@execpc.com

Graeme Shirley rules@gshirleytrack.com

Lloyd Stephenson fstmstr@mac.com

Steve Vaitones 781-893-6213 svaitones@usatfne.org

Monique White Home 610-666-0846 moose7\_89@yahoo.com



## SUMMARY OF 2015 RULE CHANGES

A summary of rule changes adopted by USATF at its 2014 Annual meeting Anaheim, CA  
Amended language is indicated by shading of the text.

Rule	Amendment
5.2	In Masters LDR, allow for additional medals for non-US citizens.
7.5	Specify Mountain, Ultra, Trail (MUT) as following LDR for team scoring
7.9(b)	Change to LDR tie-breaking
7.10	Add team scoring by distance
16.1	Reformat table of LDR events, declared and scoring team competitor numbers
20.1	Reorder Women's LDR events and move some events to MUT section.
21	Update MUT Championship rules
25	Add 3000 and 5000 Meters as options for Junior Indoor RW Event distances.
119.2	Require a Secretary for the Jury of Appeal for Rule 10 and Rule 11 events
119.3	Require at least one member of the Jury of Appeal for National and Regional LDR Championships be a National or Master level certified official.
142.3	Amend Honest effort rule for scored events.
144.3(d)	Only individuals designated by the starter may assist with setting starting blocks.
144.3(k)	Field event athletes may view video of their previous attempts
146.2(a)	The protest period for the LDR Professional section is 30 minutes.
158	New Rule to correct administrative errors in the results within 72 hrs.
161.6	Only individuals designated by the starter may assist with setting starting blocks.
162.1	Hair touching the track at the start is not considered a violation.
163.1	Allows for the use of Net Timing for non-championship LDR events
163.4	Add a NOTE including some factors to consider for running disqualifications
165	Several modifications to incorporate Net Timing.
165.16	Allows for the use of Net Timing for non-championship LDR events
169.4	Adopt IAAF language for "going over" steeplechase barriers.
187.7(b)	Adopt IAAF language to determine javelin landing
191.9	Remove specification for the loop in the hammer wire
195.5(b)	Remove requirement that two sides of the weight handle be equal length
195.7	Add NOTE that wire is not a suitable connector
232.5(a)	Adopt IAAF maximum circuit length for Road championships to 2000m
242.7	Update language for transponder mat location and color.
244.1&4	Update language for transponder mat location and color.
244.6	Direct place and time determination to Rules 163 and 165.
250.3	Include reference to 253.3 and 254.5.
253.3	Add Water station details for Mountain Racing
254	New Rule for Trail Racing
262.6	Clarify mixed competitions allowed for record performance.
267	Amend LDR distances to remove 4 mile event as record
302.5(k)	Require ASTM F2949-12 compliant box collar for Youth pole vault.
302.5(p/q)	Specify procedure for field event athletes also competing in a running event.
303.1(h)	Modify advancement formulae for several Youth events.
303.6	Specify advancement for National Youth Indoor Championship
304.5	Modify XC Team scoring to combine into a single 15-18 year age group.
305.2(b)	Add YOG Trials as event giving automatic entry into the National Track JOs
341.1	Adjust several age groups, for number of declared and scoring team members.
341.10	Allow Net Timing as an option for Masters LDR championships, as determined by the Games Committee

**ARTICLE I**  
**CHAMPIONSHIPS AND OLYMPIC TEAM SELECTION**

**SECTION I**  
**GENERAL**

**RULE 1**  
**NATIONAL CHAMPIONSHIPS**

1. Eligibility:
  - (a) In the Open Men's and Women's Indoor and Outdoor Track and Field Championships, the Junior Men's and Women's Track and Field Championships, the Men's and Women's Race Walking Championships, the Men's and Women's Open, Junior, and Masters Cross Country Championships, and the Men's and Women's Long Distance Running Championships, only citizens of the United States who are eligible to represent the United States in all levels of international competition are eligible to compete. (In the Men's and Women's Race Walking Championships, Men's Long Distance Running Championships, and Masters Cross Country Championships, others may compete in a separate non-scoring division or race.)
  - (b) In addition, in Long Distance Running and Race Walking, US citizens who are not eligible to represent the USA in International competition are allowed to participate in any USA National Championship that is not the sole selection event for an international team.
  - (c) The Masters Track and Field Championships are open to all member athletes of USATF or of other IAAF member federations.
  - (d) The Masters Long Distance Running Championships are open to all member athletes of USATF, including Permanent Residents. However, only U.S. citizens shall be awarded individual championship awards or score for a team.
  - (e) The Youth Athletics Championships are open to all member athletes of USATF, including aliens living in the United States and foreign exchange students.
  - (f) The Club Track and Field Championships are also open to Permanent Residents (green card holders).
2. Non-resident alien athletes, unless otherwise provided in these rules, may compete as invited guests only on a reciprocal basis. They may not displace otherwise qualified USATF member athletes for national titles, team scoring, and championship awards. When possible, a US citizen shall be added to the finals if displaced by a non-US citizen.
3. When a National Championship is used as a selection meet for an international competition, a Sport Committee may permit competition in the National Championship by a non-US citizen if the Sport Committee has been provided with proof that the competitor will acquire eligibility to represent the United States after the Championship but prior to the international competition.

## RULE 2 REGIONAL CHAMPIONSHIPS

1. Regional Championships may be annually conducted.
2. For Open and Junior Championships, except Cross Country and Race Walking, the Regions will comprise Associations as follows:

<b>Region</b>	<b>Association</b>
East	Adirondack, Connecticut, Long Island, Maine, Mid-Atlantic, New England, New Jersey, New York, Niagara, Virginia, Potomac Valley, and Three Rivers
South	Alabama, Arkansas, Florida, Georgia, Gulf, North Carolina, Oklahoma, Southern, South Texas, Southwestern, South Carolina, Tennessee, and West Texas
North	Dakotas, Illinois, Indiana, Iowa, Kentucky, Lake Erie, Michigan, Ohio, Ozark, Minnesota, Missouri Valley, Nebraska, West Virginia, and Wisconsin
West	Alaska, Arizona, Border, Central California, Colorado, Hawaii, Inland Northwest, Montana, Nevada, New Mexico, Oregon, Pacific, Pacific Northwest, San Diego Imperial, Snake River, Southern California, Utah, and Wyoming

3. For Open and Junior Cross Country, Open and Junior Race Walking and all Masters Championships, the Regions will comprise Associations as follows:

<b>Region</b>	<b>Associations</b>
East	Adirondack, Connecticut, Long Island, Maine, Mid-Atlantic, New England, New Jersey, New York, Niagara, Potomac Valley, and Three Rivers
Southeast	Alabama, Florida, Georgia, North Carolina, South Carolina, Tennessee, and Virginia
Midwest	Illinois, Indiana, Kentucky, Lake Erie, Michigan, Ohio, West Virginia, and Wisconsin
Mid-America	Colorado, Dakotas, Iowa, Minnesota, Missouri Valley, Nebraska, and Ozark
Southwest	Arkansas, Border, Gulf, Oklahoma, Southern, South Texas, Southwestern, and West Texas
Northwest	Alaska, Inland Northwest, Montana, Oregon, Pacific Northwest, Snake River, Utah, and Wyoming
West	Arizona, Central California, Hawaii, Nevada, New Mexico, Pacific, San Diego-Imperial, and Southern California.

4. For the definition of the Youth Athletics Regions, see Rule 300.4.
5. Resident aliens shall be permitted to compete in Regional Championships.

**RULE 3  
ASSOCIATION CHAMPIONSHIPS**

1. All members of an Association shall be permitted to compete in that Association's Championships.
2. An athlete who has competed in the Championships of one Association shall not be eligible to compete in the same Championships of any other Association during the same year except as a non-scoring guest at the discretion of the Association meet director or the appropriate Association sports committee.
3. Athletes who are not members of a particular Association may compete as invited guests on a non-scoring basis at the discretion of the meet director or the appropriate Association sports committee.

**NOTE:** See *USATF Operating Regulations 3, 4, 5, and 7 for other provisions affecting eligibility for Association Championships.*

**RULE 4  
ELIGIBILITY FOR TEAM CHAMPIONSHIPS**

1. In all USATF Team Championships, whether National, Regional or Association, only teams consisting of duly accredited representatives of a member club shall be eligible to win such team Championship. In Regional Championships, the team Championship may be contested on the basis of Association teams in addition to scoring by club teams, at the option of the Games Committee.
2. In Long Distance Running, Open Cross Country, and Open Track & Field Club competition, an athlete who is a non-resident member of an Association is eligible to compete for a team in that Association only if the athlete:
  - (a) Resides in an adjoining Association within the government-defined Metropolitan Statistical Area (MSA) of a city which is primarily in the neighboring Association as approved by the appropriate sport committee or council or;
  - (b) Has historical membership based upon Association residency (at least three continuous USATF membership years) is eligible to compete for that club.  
See Rule 341.8 for Masters LDR

**RULE 5  
AWARDS**

1. Unless otherwise provided in these rules, the following awards shall be made in all Championships:
  - (a) In Team Championships, a trophy shall be awarded to the winning team. Team trophies may be awarded to the second and third teams.
  - (b) Regulation gold and silver Championship medals shall be awarded for first and second places in each individual Championship event. Bronze Championship medals shall be awarded to the third through sixth place finishers, except in the USA Indoor Track and Field Championships, where bronze medals are awarded

only to third and fourth place finishers. In Regional and Association Championships gold, silver, and bronze medals may be awarded for first, second, and third places, respectively.

- (c) In events where there is team scoring, regulation gold, silver, and bronze Championship medals shall be awarded to the scoring members of the teams finishing first, second, and third except in Track and Field Championships. In the Men's and Women's Open, Junior, and Masters Cross Country Championships, such medals shall be awarded to the declared members of the teams finishing first, second, and third.
- (d) Unless otherwise determined by the national Sport Committee, patches shall be awarded to the individual winners. Patches may be awarded to the scoring members of the team finishing first except in Track and Field Championships.
- (e) Except in Masters LDR, whenever an event includes concurrent age-group and overall competition, in which a single performance can qualify for awards in the age group and/or in the overall competition, the entry blank shall specify one of the following:
  - i. That an athlete may win awards in both the overall category and in the athlete's age group, if there are such awards in that athlete's age group, or;
  - ii. That an athlete may win only one award and may, after the race, choose the award for overall competition or for the competition in the athlete's age group, but not both.

If (ii) is specified, competitors in the category not selected by the athlete eligible for more than one award shall be advanced in position so that all possible awards in each category are awarded, if there are sufficient numbers of competitors.

- (f) In Masters LDR, including cross country, masters shall be allowed to win awards in all categories (e.g., overall, age group and age-graded).
2. Other individual prizes, which shall be specified on the entry blank, may be presented as determined by the Championship sponsor subject to the approval of the appropriate sport committee of USATF. In Masters LDR, including cross country, non-U.S. citizens, including permanent residents, who are member athletes of USATF, may be awarded separate non-championship medals whenever they would otherwise displace a U.S. citizen eligible for awards.

## **RULE 6 GENERAL**

- 1. USATF Operating Regulation 18 governs bids, bidding procedures, award procedures, selection of dates, rights for broadcast and financial relations of USATF National Championships.
- 2. All entries for Championships shall be made using the entry format adopted by USATF. No entry format for any Championship shall be distributed until it has been submitted to and approved by the Chair(s) of the sport committee(s) involved and the Chief Executive Officer of USATF. The entry format shall include all pertinent information regarding filing dates, late entries, fees, entry appeal and protest procedures, and declaration procedures.

3. When the placing of a competition is used for team selection or to qualify athletes to another competition, the system for selection and/or advancement shall be determined in advance of the event, and published in the entry material.
4. The final date for entries to a National Championship shall be designated by the Chair of the sport committee involved. For track and field, this date shall be at least 14 days (outdoors) or 10 days (indoors) prior to the first competition that is part of the Championship. For the National Track & Field Club Championships, this date shall be at least 14 days prior to the first competition that is part of the Championship. A late entry period, if any, shall be designated by the Chair of the sport committee involved.
5. Entry fees and late fees for all Championships shall be established by each sport committee, subject to the approval of USATF, and, unless otherwise provided by its Bylaws or these Rules, shall be the property of USATF. Entry fees for the National Track & Field Club Championships and all long distance running events are the property of the event.
6. The officials, and the Games and Seeding Committees who are responsible for the conduct of a Championship, shall be appointed by or subject to the approval of the appropriate sport committee(s).
7. Qualifying standards and procedures may be established for Championships and for qualifying competition for international competition by the sport committee concerned.
8. The rights of defending USA Open individual event National champions shall be governed by the following:
  - (a) Each individual winner of the previous year's USA Open Championships shall be entitled to receive from the sponsoring organization full expenses to enable the athlete to defend his or her title if, in the opinion of the sport committee concerned, the champion is in condition to defend the title.
  - (b) Where two or more athletes are co-holders of a Championship, an allotment in an amount equal to the expenses of the co-holder who resides the greatest distance from the city in which the meet or event is being held shall be provided and each co-holder shall receive a pro rate percentage of such allotment, calculated on a mileage basis. Where possible, co-holders should be paid full expenses.
  - (c) For reasons appearing good and sufficient, the Executive Committee of the sport committee concerned, unless otherwise provided by USATF, by a majority vote of those voting, may suspend or abrogate all requirements or provisions for the payment of expenses of any and all champions as provided for herein.
  - (d) If funds are available, all individual event winners of the National Track & Field Club Championships shall receive an equal share of such funds.
  - (e) The sponsoring organization of any Championship, with the approval of the sport committee concerned, may allocate additional funds to other place winners of the previous year's Championship or for noteworthy performers.
9. A Technical Information Center shall be established for the Championships in Rules 10 and 11, and may be used for other competitions. The main function of the Technical Information Center is to ensure smooth communication between the competitors,

Games Committee and competition administration regarding technical and other matters relating to the competition.

## **RULE 7 TEAM SCORING**

1. For meets that have team scoring, the procedure for scoring, including events and calculation methods, shall be included in the entry material. Prior to the start of the event, the team coach or other representative shall declare the team entries eligible for scoring.
2. Regional Championships may be scored on the basis of Association teams instead of club teams at the option of the Games Committee.

### **TRACK AND FIELD**

3. The team score shall be the total of all points earned by eligible competitors for a given team. Scoring shall be five (5) points for each first place scored, three (3) points for second, two (2) points for third, and one (1) point for fourth. Events not included on the entry blanks, and events (other than novice events) not open to all USATF member athletes shall not count in the scoring for team point trophies. Relay races shall be scored as any other event. In combined events, the team score shall be the sum of the scores of the top three members of each team. For Masters exemption see Rule 331.2

### **LONG DISTANCE RUNNING, CROSS COUNTRY, AND RACE WALKING**

4. Three methods exist for scoring team Championships: scoring by place, scoring by time and scoring by distance.
5. The team Championships in Long Distance Running (including Mountain, Ultra-Marathon and Trail events) and Race Walking shall be scored by time. The team Championships for Open, Masters, Junior and Youth Cross Country shall be scored by place.
6. Scoring by place:
  - (a) The team score shall be the total of the finishing positions of the scoring members. The team with the lowest total points is the team winner.
  - (b) Runners of incomplete teams, team entries not declared eligible for team scoring, and unattached or individual competitors will be eliminated from team scoring. Non-scoring declared members of complete teams shall retain their finishing positions and thereby displace other runners.
  - (c) When separate competitions are conducted simultaneously, each shall be scored independently. Runners on teams not eligible for a given competition will be eliminated from team scoring in that competition.
  - (d) In the event of a tie between two or more individual runners, each shall score the number of points determined by dividing the total of the finish places by the number of runners who have tied.
7. Scoring by time:

The team score shall be the aggregate time of the scoring members. The team with the lowest aggregate time is the team winner.

8. In team Championships scored by time, if the Games Committee determines that scores for the winning teams cannot be determined because of clock failure or other reasons, team Championships shall be determined by scoring by place.
9. Whether scoring by time or place:
  - (a) If a team fails to finish with a complete scoring team, the team members finishing shall be counted as individuals in the race results and shall be eligible to receive individual awards.
  - (b) Ties between two or more teams shall be resolved in favor of the team whose last scoring member finishes nearer to first place.
10. Scoring by distance:  
The team score is the sum of the distances covered by the scoring team members.

## **RULE 8 AUTOMATIC QUALIFICATION**

Automatic qualification, as listed in this section, shall not abrogate any entry requirements other than the qualifying requirements for a championship. Any athlete who attains any of the following shall be afforded automatic qualification into a USA Indoor, Outdoor, Race Walking or Marathon Championship or USA Olympic Team Selection in the same event in which the performance was attained:

1. Track and Field -
  - (a) During the current or four previous calendar years, earned an individual medal in track and field in an Olympic Games or in an IAAF World Indoor or Outdoor Championship.
  - (b) Is the reigning USA Indoor or Outdoor champion.
  - (c) Has a World or Olympic 'A' Standard that would apply to the current championship team selection.
  - (d) Finish as one of the top three at the preceding year's corresponding national championship (Indoor qualifies for Indoor, Outdoor qualifies for Outdoor).
2. Race Walking - During the current or four previous calendar years:
  - (a) Earned an individual medal in an Olympic Games or in an IAAF World Championships.
  - (b) Won an individual Championship at a USA Open Track Championships.
  - (c) Won a USA Championship in the Men's 50-Kilometer Walk.
  - (d) Earned a USA Olympic Team Selection.
3. Marathon - During the current or four previous calendar years:
  - (a) Earned an individual medal in an Olympic Games or in an IAAF World Championships.
  - (b) Won an individual USA Marathon Championship.



(c) Earned a USA Olympic Team Selection.

**RULE 9**  
**NON-CHAMPIONSHIP COMPETITIONS**

1. So far as possible, the rules for the Championships shall apply to all other competitions conducted or sanctioned by USATF or any of its Associations. In competitions other than National Championships, events may be held in a different format to that provided under the USATF Rules of Competition, but broader Rules, giving more rights to the athletes, cannot be applied. These formats shall be decided by the respective bodies having the control over the competition.
2. Unless otherwise provided in these rules, age limitations or divisions for Championship competition apply to open events or meets sanctioned or conducted by USATF. In Long Distance Running non-championship events, age divisions may be determined by the Association sport committee or the sponsoring organization.
3. Points for track and field meets shall be scored in accordance with the appropriate provisions of Rule 13, except that events not included on the entry blanks, and events (other than novice events) not open to all USATF member athletes shall not count in the scoring for team point trophies. Relay races shall be scored as any other event.
4. When a prize or trophy is awarded for individual high scoring in any meet, points shall be scored in the same manner as points would be scored for the team Championships or point trophy in that meet, except that points scored for relay races shall not be counted. In case of a tie, the trophy or prize shall be awarded to the competitor winning the most first places.

**SECTION II**  
**MEN'S AND WOMEN'S TRACK AND FIELD CHAMPIONSHIPS**

**RULE 10**  
**USA OUTDOOR TRACK AND FIELD CHAMPIONSHIPS**

1. The Men's and Women's Track and Field Committees shall annually conduct the USA Outdoor Open and Junior Track and Field Championships. The Men's and Women's Championships may be conducted jointly, or each Championship may be conducted separately. The Chairs of the Track and Field Committees and/or their appointed representative(s) shall be Referee(s) of the Championships. It is recommended that such Referee(s) be certified officials at the National or Master level.

(a) The Open Championships, at the discretion of the National Track and Field Committees, shall be held as a two-, three- or four-day meet in accordance with a time schedule of events determined by the National Track and Field Committees.

(b) The Junior Championships may be held separately from the Open Championships.

**NOTE:** See Rule 12 for The National Track & Field Club Championships. See Rule 13 for Regional and Association Championships.

2. (a) Following are the standard events for the USA Open and Junior Outdoor Track and Field Championships:

**Men's Events**

100 Meters	High Jump
200 Meters	Pole Vault
400 Meters	Long Jump
800 Meters	Triple Jump
1500 Meters	Shot Put (7.26kg)(Jr. - 6kg)
5000 Meters	Discus Throw (2kg)(Jr. - 1.75kg)
10,000 Meters	Hammer Throw (7.26kg)(Jr. - 6kg)
20,000 Meter Walk	Javelin Throw (800g)
110 Meter Hurdles	
400 Meter Hurdles	
3000 Meter Steeplechase	

**Women's Events**

100 Meters	High Jump
200 Meters	Pole Vault
400 Meters	Long Jump
800 Meters	Triple Jump
1500 Meters	Shot Put (4kg)
5000 Meters	Discus Throw (1kg)
10,000 Meters	Hammer Throw (4kg)
20,000 Meter Walk	Javelin Throw (600g)
100 Meter Hurdles	
400 Meter Hurdles	
3000 Meter Steeplechase	

(b) In the Junior Men's and Women's Championships, the distance of the race walk shall be 10,000 meters.

- (c) Open USA Race Walking Championships shall, where practical, start and/or finish on the track.
3. In the USA Track and Field Championships:
- (a) All entered contestants shall have met the qualifying requirements / meet entry guidelines adopted by the respective sport committee, or by the properly authorized subcommittee thereof or must be approved by a special appeal subcommittee appointed by the Chairs of the respective sport committees;
  - (b) Qualifying requirements / entry guidelines shall be published in the entry material;
  - (c) In appointing the appeal subcommittee every effort shall be made to include representation from athlete, coach, and sport committees. Petitions to the appeal subcommittee must be presented in writing, including electronic communication, without the possibility of further appeal beyond the appeal subcommittee. Petitions and decisions shall be posted at the subcommittee work-site. The addition of an athlete by petition shall not prevent an otherwise qualified athlete from participation.
4. (a) The Meet Director, Games Committee, and/or sponsoring organization of the USA Track and Field Championships must:
- i. Provide and make available all material specified in Rule 6.2 at least 60 days prior to the competition via a posting on the USATF website;
  - ii. Provide via a posting on the USATF website, by 9 p.m. two days prior to competition, a list of entrants in each event, arranged in order of their performances, if any, used for entry into the competition. If there are any corrections or appeals necessary to the posted entries or performances, these shall be submitted in writing, which includes electronic communication, to the appropriate Track and Field Committee Chair, or the Chair's appointed representative, by 1 p.m. on the day prior to the start of the Championships;
  - iii. Notify the entrant or his/her representative of any irregularity in an application, that would prevent the individual from being considered for selection to compete in the Championship, at least three days before the meet. The posted status of an application on the USTAF website may serve as this notification;
  - iv. Together with the National Track and Field Committee Chair or the Chair's appointed representative(s), finalize all events, form the heats for competition, and publish them at least 24 hours prior to the time of competition for each event via a posting on the USATF website.
- (b) The coaches, athlete representatives or individual athletes in the USA Track and Field Championships must:
- i. Properly submit entries on forms provided for that purpose. All entries must be submitted in accordance with the procedure stated on the entry form or in the entry material.
  - ii. Submit final declarations for or by each athlete for each entered event as stated in the entry material. Declarations by officially designated website, or other method authorized in the entry material, must be received no later than

8 p.m. two days prior to the start of the Indoor Championships and no later than 12 noon two days prior to the start of the Outdoor Championships.

- iii. Submit to the Games Committee no later than the day prior to the first day of the Championship competition, evidence of membership in USATF. Such evidence may consist of the athlete's membership card (or copies thereof), or, when the foregoing is unobtainable, of a written statement signed by the Chair of the Member Services Committee or the Secretary of an Association, on the letterhead or appropriate form of the Association, indicating that the named athletes were athlete members of a registered club.

**NOTE:** *Competitors who have not complied with these provisions will not be entered in the Championships unless they appeal in person to the National Track and Field Committee Chair or the Chair's appointed representative. Petitions for late declarations must be based on corroborated evidence that a declaration was made during the proper declaration period. The National Track and Field Committees shall establish a procedure to process appeals.*

5. See Rule 5 for awards.

## **RULE 11 USA INDOOR TRACK AND FIELD CHAMPIONSHIPS**

1. The Men's and Women's Track and Field Committees shall annually conduct the USA Open Indoor Track and Field Championships. The Men's and Women's Championships may be conducted jointly, or each Championship may be conducted separately. The Chairs of the Track and Field Committees and/or their appointed representative(s) shall be Referee(s) of the Championships. It is recommended that such Referee(s) be certified officials at the National or Master level.
2. (a) Following are the standard Championship events for the USA Indoor Track and Field Championships (Open or Junior).

### **Men's Events**

60 Meter Dash	High Jump
200 Meter Dash	Pole Vault
400 Meter Dash	Long Jump
800 Meter Run	Triple Jump
1500 Meter or 1 Mile Run*	Shot Put (7.26 kg)(Jr. - 6 kg)
3000 Meter Run	Weight Throw (35 lb.)
3000 Meter Walk	
60 Meter Hurdles	
4x400 Meters Relay	
4x800 Meters Relay	
Distance Medley Relay (1200-400-800-1600)	

### **Women's Events**

60 Meter Dash	High Jump
200 Meter Dash	Pole Vault
400 Meter Dash	Long Jump
800 Meter Run	Triple Jump
1500 Meter or 1 Mile Run*	Shot Put (4 kg)
3000 Meter Run	Weight Throw (20 lb.)
3000 Meter Walk	

60 Meter Hurdles  
4x400 Meters Relay  
Distance Medley Relay (1200-400-800-1600)

*\*In years of IAAF World Indoor Championships, if the qualifying standards for the IAAF meet do not include a standard for the mile, the 1500 Meters shall be run.*

- (b) The order of events shall be determined by the National Track and Field Committees or their representatives.
  - (c) The 200m event may be conducted at the discretion of the appropriate Track and Field Committee, either as a Championship or non-Championship event.
  - (d) No more than two teams may be entered by any club in any relay race.
  - (e) The relays listed may be conducted at the discretion of the appropriate Track and Field Committee, either as Championship or non-Championship events.
3. (a) Each competitor in all track events, including each relay team, must, in person or through an authorized representative, report to the Clerk of Course one hour before the start of the first listed round of the event and confirm their declaration as to whether he/she/they will or will not compete in the event. Directly thereafter, the Clerk of Course shall turn over the actual list of starters to the Chair of the Track and Field Committee who, with the Referee and such other persons as he or she may appoint, will determine whether the number of rounds in the event, or the number of heats in each round or the seeding of athletes in particular heats should remain as previously announced or should instead be changed.
- (b) Where there are insufficient entrants who have met the qualifying standards and who have declared that they will compete, to make a final of an event competitive, the Games Committee or its representatives, prior to the day of the Championships, may approve for that final a limited number of additional entries from those who have entered the event prior to the closing date for entries, but who have not met the qualifying standards for that event, provided that such additional entries be approved in the order of best qualifying performance. The Games Committee shall exercise reasonable efforts to notify those entrants of the opportunity to compete.
  - (c) The provisions of Rules 10.3 and 10.4 pertaining to the conduct of the Outdoor Championships shall be applicable to the Indoor Championships unless otherwise provided in this Rule.
4. See Rule 5 for awards.

## **RULE 12**

### **NATIONAL TRACK & FIELD CLUB CHAMPIONSHIPS**

1. The Associations Committee, through its Club Council, and with assistance and representation from the Men's and Women's Track & Field Committees and the Race Walking Committee, shall annually conduct the National Track & Field Club Championships. This will be a combined men's and women's championship. The Club Council chair, with the consent of the chair of the Associations Committee shall

appoint the Games Committee, Referee(s), and chief officials, who shall be certified officials at the National or Master level.

2. Regional club championships may be held in each region and used for qualification into the national meet.
3. All participants shall be a member of a USATF member club. Unattached athletes and non-resident aliens may not compete.
4. Rule 10 shall apply to the National Track & Field Club Championships except that:
  - (a) The meet shall be a two-day meet;
  - (b) The time schedule shall be determined by the Games Committee;
  - (c) The following relays are included as standard events:
    - 4x100 Meters Relay
    - 4x400 Meters Relay
    - 4x800 Meters Relay
    - Sprint Medley Relay (200-200-400-800)
    - Distance Medley Relay (1200-400-800-1600);
  - (d) The Race Walk distance shall be set in consultation with the Race Walking chair.
5. Qualifying - In the Club Track & Field Championships, all entered contestants shall have met the qualifying requirements adopted by the Club Council or by the properly authorized subcommittee thereof and listed in the published entry material, or must be the single entrant in an event for that club.
6. Conduct of the Championships - The Council Chair, Games Committee Chair, and Meet Director shall finalize all events, make modifications to the time schedule, formulate the heats, advancement, and timed-final parameters, and publish them at least forty-eight (48) hours in advance of the first scheduled competition on the USATF website.
7. Scoring and awards - Team scoring shall be according to the provisions of Rule 7. Awards shall generally be governed by Rule 5. A most valuable trophy shall be presented to the male and female athletes who score the most points for their team, including one quarter of relay points. A best performance trophy shall be awarded to the male and female athlete whose individual performance scores highest on the approved IAAF point tables. A suitable recognition may also be made of the Association whose athletes score the greatest number of points in the championships.

### **RULE 13 OTHER CHAMPIONSHIPS**

1. In addition to the USA Open and Junior Outdoor, the USA Indoor Championships, and the National Track & Field Club Championships, as above, the following Championships may be conducted at the discretion of the National Track and Field Committees:

#### **Men**

- (a) USA Junior Indoor Track and Field Championships.

- (b) Club Relay Championships
  - 400 Meters Relay (4x100)
  - 800 Meters Relay (4x200)
  - 1600 Meters Relay (4x400)
  - 3200 Meters Relay (4x800)
  - 6000 Meters Relay (4x1500)
  - 440 Meters Shuttle High Hurdles Relay (4x110)
  - 1600 Meters Sprint Medley Relay (400-200-200-800)
  - 4000 Meters Distance Medley Relay (1200-400-800-1600)
  - (All relays may be run in the equivalent yard distances.)
- (c) Decathlon (see Rule 200)
- (d) Pentathlon (see Rule 200)
- (e) Indoor Pentathlon (see Rule 200)
- (f) Indoor Heptathlon (see Rule 200)
- (g) 56 lb. Weight Throw (see Rule 195). This event shall be held independently of the USA Track and Field Championships.

**Women**

- (a) Heptathlon (see Rule 200)
  - (b) Indoor Pentathlon (see Rule 200)
  - (c) Club Relay Championships (all events listed under Men (b) above).
2. Regional and Association, Open and Junior Outdoor Track and Field Championships may be held. Rule 10 shall apply to such Championships except:
    - (a) The Mile may be conducted instead of the 1500 Meters, at the discretion of the appropriate sports committee.
    - (b) A 5000 or 10,000 Meter Race Walk may be conducted instead of the 20,000 Meter Race Walk.
    - (c) See Rule 13.5 for scoring.
  3. Regional and Association Open and Junior Indoor Track and Field Championships may be held. Rule 11 shall apply to all such Championships except:
    - (a) In Association Championships, the Men's Race Walk may be either 3000 Meters or 5000 Meters.
    - (b) See Rule 13.5 for scoring.
  4. The declaration procedures for Championships in this Rule shall be established by the Games Committee of each Championship and made known through the inclusion of such procedures in the entry material for the Championship. At the time of the declaration of entries, the declarer must indicate whether or not relay teams entered are to compete, but designation of the make-up of a relay from the athletes listed for the relay team entered need not be made until the designated time before the start of

the first round of the event as determined by the Games Committee or by these rules. The entry form for the Combined Events at any National Championship shall include provision to enter best individual performances for each event of the Combined Event during the defined qualification period.

#### **POINT SCORE - TROPHIES**

5. (a) There may be a team Championship, scoring or point trophies in all events listed in this Rule and for other meets sanctioned by any Association. Regional Championships may be scored on the basis of Association teams instead of club teams at the option of the Games Committee. Scoring in all Championships in this Rule shall be five (5) points for each first place scored, three (3) points for second, two (2) points for third, and one (1) point for fourth.
  - (b) The provisions of Rule 10.5(b) and (c) pertaining to ties and trophies shall be applicable to all events listed in this Rule.
  - (c) In combined events, the team score shall be the sum of the scores of the top three members of each team.
6. See Rule 5 for awards.

#### **RULE 14 TRANSFERRING MEMBERSHIP PRIOR TO CHAMPIONSHIP**

In Men's and Women's Track and Field, an athlete who is an athlete member of one club, other than an educational institution, at the date of closing of entries for Championships under the jurisdiction of the track and field sport committees, may not change membership to another club prior to the Championships or be eligible to represent or score points for the club to which he/she seeks to change membership. If the athlete does not desire to compete for the original organization, he or she may compete unattached, representing no club. Notwithstanding the above, an athlete may transfer from an educational institution to a club in accordance with USATF Operating Regulation 4.



**SECTION III  
CROSS COUNTRY & LONG DISTANCE RUNNING CHAMPIONSHIPS**

**RULE 15  
MEN'S AND WOMEN'S CROSS COUNTRY CHAMPIONSHIPS**

1. There shall be two National Cross Country Championships, the Fall National Championships and the Winter National Championships, both conducted by the Cross Country Council. Runners may compete in both the Fall and Winter events as individuals. The Cross Country Council may add additional Masters Cross Country Championships to the national schedule.
2. Eligibility for the National Championships shall be as stated in Rule 1.1(a). Association Championships are open to all athlete members of USATF. Age limitations are as stated in Rule 141.
3. There shall be Open and Masters competition at the Fall National Championships. There shall be Open, Masters, and Junior competition at the Winter National Championships.
4. The distances contested at the Fall National Championships are 10,000 meters (or as close as feasible) for men and 6000 meters (or as close as feasible) for women. The distances contested at the Winter National Championships shall be as close as feasible to the distances to be contested that year at the IAAF World Cross Country Championships, or when there is no World Championship in that year, 12,000 meters for open men, 8000 meters for open women and junior men, and 6000 meters for junior women. The measured distances should be printed in the program and the results.
5. The number of entries for a team shall be unlimited. In the Fall National Championships and in Association and Regional Championships, a maximum of eight entries shall be declared and the first five declared members of each team shall count in that team's score. In the Winter National Championships a maximum of six entries shall be declared and the first four declared members of each team shall count in that team's score. The following chart shows the race distances (as close as is feasible) and team scoring members. The distances shown for the Winter Championships are those currently used by the IAAF.

<b>Championship</b>	<b>Men's Dist.</b>	<b>Women's Dist.</b>	<b>Declared</b>	<b>Scorers</b>
<b>Fall</b>	10,000m	6000m	8	5
<b>Winter</b>				
Open	12,000m	8000m	6	4
Junior	8000m	6000m	6	4

6. At the Fall National Championships, team competition shall be conducted in all races for Association club teams. At the Winter National Championships, team competition may be conducted in all races for Association club teams, and additionally in the open races including teams representing the branches of the Armed Services.
7. See Rule 7 for scoring for the Fall National Championships. See Rule 341.1 for Masters' distances, declaration, and scoring. See Rule 5 for awards.
8. If a club enters more than one team, each team should be clearly identified.

**RULE 16**  
**LONG DISTANCE RUNNING CHAMPIONSHIPS - MEN**

1. The Men's Long Distance Running (LDR) Committee may conduct USA Open and Junior Championships in the events shown in the following table. In addition to these championships, the Men's LDR Committee may, on an annual basis, award National Championships at other distances under their jurisdiction including the Road Mile.

**TABLE OF EVENTS**

<b>Event</b>	<b>Open</b>	<b>Junior</b>	<b>Declared</b>	<b>Scorers</b>
<b>Road</b>				
5,000 Meters	X	X	8	5
8,000 Meters	X	X	8	5
10,000 Meters	X	X	8	5
12,000 Meters	X	X	8	5
15,000 Meters	X	X	8	5
20,000 Meters	X	X	8	5
Half Marathon	X	X	8	5
25,000 Meters	X		8	5
30,000 Meters	X		5	3
Marathon	X		5	3
Marathon Relay	X	X	Unlimited	Team
<b>Track</b>				
1 hour*	X	X	5	3
* May be postal event				

2. Regional Championships may be conducted at the distances listed in the same table. (See Rule 2 for regions). Regional Championships shall be awarded by a vote of Men's LDR committee representatives from the Associations in that region. Eligibility and awards are the same as for National Championships. Associations are encouraged to conduct Championships at the distances listed in the table.
3. Eligibility for the Championships shall be as stated in Rule 1.1(a). Age limitations are as stated in Rule 141.
4. The maximum number of entries per team shall be unlimited. The number of entries to be declared, and the scoring for a team for National, Regional, and Association Championships, unless otherwise provided in these rules, is set forth in the table above.
5. The Men's LDR Committee may contest additional team championships, with a separate set of awards.
6. National and Regional Marathon Championships may be conducted using time limits which must be stated in the bid application to the Men's LDR Committee and on all entry/information forms.
7. In the marathon road relay, teams shall consist of six runners with legs in the following order: 10km, 5km, 10km, 5km, 5km, and 7.2km, or five runners with legs in the following order: 10km, 5km, 10km, 5km, and 12.2km.
8. The courses of all National, Regional, and Association Road Championships must meet certification requirements stated in Rule 240.

- See Rule 5 for awards. See Rule 7 for scoring.

**RULE 20  
LONG DISTANCE RUNNING CHAMPIONSHIPS - WOMEN**

- The events listed below may be conducted by the Women's Long Distance Running (LDR) Committee as USA Championships for women. In addition to these Championships, the Women's LDR Committee may, on an annual basis, award National Championships at other distances under their jurisdiction.

**CHAMPIONSHIP DISTANCES**

<b>Track or Road</b>	<b>Track</b>	<b>Road</b>	
15,000 Meters	Mile	5,000 Meters	Half-Marathon
20,000 Meters	1 hour*	8,000 Meters	Marathon
25,000 Meters	2 hour*	10,000 Meters	Marathon Relay
30,000 Meters	*postal event	12,000 Meters	

- Regional Championships in the foregoing events may be conducted after being awarded by the Regional Chair of the Women's LDR Committee. Association Championships should be conducted by each Association in the foregoing events.
- The maximum number of entries for a team shall be five women and only the first three members of each team to finish shall count in the team scoring. In Association championships, the maximum number of entries for a team, and the number of members of each team for scoring may be determined by the Games Committee and shall be stated in the entry material.
- In the marathon road relay, teams shall consist of six runners with legs in the following order:10km, 5km, 10km, 5km, 5km, and 7.195km, or five runners with legs in the following order:10km, 5km, 10km, 5km, and 12.195km.
- In addition to the USA, Regional and Association Championships set forth above, the Age Group Championships for ages 30-34 and 35-39 may be conducted as part of the Women's LDR Championships.
- There may be a qualifying standard for entry into a National LDR Championship.
- Eligibility for the Championships shall be as stated in Rule 1.1(a). Age limitations are as stated in Rule 141.
- The courses of all National, Regional, and Association Road Championships must meet the certification requirements stated in Rule 240.
- See Rule 5 for awards. See Rule 7 for scoring.

**RULE 21  
MOUNTAIN, ULTRAMARATHON AND TRAIL CHAMPIONSHIPS**

- The Mountain/Ultra/Trail Running Council may annually conduct Open and/or Masters Mountain and/or Ultra-Marathon and/or Trail Running Championships at such distances as it deems appropriate. These Championships shall be conducted using the rules for each type of race. See Rules 240 – 256.

2. Regional Championships may be conducted after being awarded by the Mountain/Ultra/Trail Running Council and Associations may conduct Association Championships
3. The courses of all National, Regional, and Association Ultra-Marathon Road Championships must meet the certification requirements stated in Rule 240.
4. Teams
  - (a) The maximum number of entries per team shall be unlimited.
  - (b) Team championships shall be conducted in 10 year age divisions for men and women as follows: Junior, Open, 40+, 50+ 60+, etc. Team runners are scored on all teams for which they are eligible, thus a 25 year old is scored on the Open team only while a 50 year all may be scored on the Open, 40+, and 50+ teams.
  - (c) The top 3 runners for each team shall be scored, except the top 5 shall score for the Open Men at distances under (and not including) 30km.
5. See Rule 7 for scoring.

**SECTION IV  
RACE WALKING CHAMPIONSHIPS**

**RULE 25  
CHAMPIONSHIP EVENTS - MEN AND WOMEN**

1. Upon receipt of acceptable bids, the following USA Open and Junior Championships may be conducted by the Race Walking Committee (the events may be conducted as Association or Regional Championships following the rules for the USA Championships):

(a) Outdoor Championships:

<b>Men</b>		
<b>Open</b>		<b>Junior</b>
5000 Meters	40,000 Meters	5000 Meters
10,000 Meters	50,000 Meters	10,000 Meters
15,000 Meters	100,000 Meters	15,000 Meters
20,000 Meters	100 Miles	20,000 Meters
30,000 Meters	1 hour	1 hour

<b>Women</b>		
<b>Open</b>		<b>Junior</b>
5000 Meters	40,000 Meters	5000 Meters
10,000 Meters	50,000 Meters	10,000 Meters
15,000 Meters	100,000 Meters	15,000 Meters
20,000 Meters	100 Miles	20,000 Meters
30,000 Meters	1 hour	1 hour

(b) Indoor Championships:

Men -- One Mile; 3000 Meters (held with Track and Field Championship); 5000 Meters. **Junior Men – 3000 Meters; 5000 Meters.**

Women -- One Mile; 3000 Meters (held with Track and Field Championship); 5000 Meters. **Junior Women – 3000 Meters; 5000 Meters.**

2. Teams and Reserves:

- (a) For other than National Championships, each team may enter an unlimited number of athletes. A maximum of five and minimum of three athletes form a team for National Championships. Team members must be declared prior to the competition. The first three finishers of each team shall score. A club may enter more than one team, but all members of each scoring team must be appropriately declared prior to the competition.
- (b) Members ineligible at the declaration of the team for team competition may race as individual entries; individual entries will be accepted. Members of depleted teams that are unable to field the necessary scoring number may race as individual entries.

3. The courses for all National, Regional, and Association Road Championships must meet certification requirements stated in Rule 240.

4. See Rule 5 for awards. See Rule 7 for scoring.

**SECTION V**  
**OLYMPIC TEAM SELECTION**

**RULE 27**  
**U.S. OLYMPIC SELECTION COMPETITION**

1. The provisions of Rule 6, Rule 8, Rule 10.3 and Rule 10.4 pertaining to qualifying requirements, entry information, entry procedure, forms, fees, entry appeals, competition procedures and competition regulations of the USA Outdoor Championships shall be applicable to the USA Olympic Selection Competition unless otherwise provided in this Rule or in the entry information.
2. The personnel conducting the U.S. Olympic Selection Competition shall be selected in the following manner:
  - (a) Members of the Jury of Appeal shall be nominated by the applicable sport committee(s).
  - (b) Referees shall be nominated by the joint subcommittee of the applicable sport committee(s) and, for events held entirely within the stadium, the National Officials Committee.
  - (c) The provisions of Rule 6.5 shall apply to the USA Olympic Selection Competition.
  - (d) Track and Field competition officials shall be selected as described in Regulation 18-J.
  - (e) All Marathon officials shall be selected by the appropriate Long Distance Running Committee.

**ARTICLE II**  
**MEDICAL SERVICES AND DOPING CONTROL**

**RULE 32**  
**DOPING**

1. Under the Rules of the International Association of Athletics Federations (IAAF) and the Operating Regulations of USATF, doping is strictly forbidden. The governing provisions are those of IAAF Rules 30-45 and USATF Regulation 20. This Rule 32 is intended only as a helpful summary of those provisions and not as an official source.
2. Anti-Doping Rule Violations:
  - (a) Presence of a prohibited substance or its metabolite or markers in an athlete's sample.
  - (b) Use or attempted use by an athlete of a prohibited substance or a prohibited method.
  - (c) Admitting to having used a prohibited substance or a prohibited method.
  - (d) Refusing or failing without compelling justification to submit to sample collection.
  - (e) Administration or attempted administration, to any athlete in-competition, of any prohibited method or prohibited substance.
  - (f) Tampering or attempted tampering with any part of doping control.
  - (g) Possession of prohibited substances and prohibited methods.
  - (h) Trafficking or attempted trafficking in any prohibited substance or prohibited method.
  - (i) Violation of applicable requirements regarding athlete availability for out-of-competition testing.
3. The list of prohibited substances is included in the IAAF's Procedural Guidelines for Doping Control. That list may be amended from time to time. Metabolites of prohibited substances are also prohibited. As of January 1, 2015, the list includes the following substances:
  - (a) Stimulants: e.g. adrafinil, adrenaline, amfepramone, amiphenazole, amphetamine, amphetaminil, benzphetamine, benzylpiperazine, bromantan, carphedon (4-phenyl-piracetam), cathine\*, clobenzorex, cocaine, dimethylamphetamine, ephedrine\*, etilamphetamine, etilefrine, famprofazone, fencamfamin, fencamine, fenetylline, fenfluramine, fenproporex, furfenorex, mefenorex, mephentermine, mesocarb, methamphetamine, methylamphetamine, methylenedioxyamphetamine, methylene-dioxymethamphetamine, methylephedrine\*\*, methylphenidate, modafinil, niketh-amide, morfenfluramine, parahydroxyamphetamine, pemoline, phendimetrazine, phemetrazine, phentermine, prolintane, selegiline, strychnine, tuaminoheptane, and other substances with similar chemical structure or similar biological effects.

- (b) Narcotic Analgesics: e.g., buprenorphine, dextromoramide, diamorphine (heroin), fentanyl and its derivatives, hydromorphone, methadone, morphine, oxycodone, pentazocine, and pethidine.
- (c) Cannabinoids (e.g. hashish, marijuana).
- (d) Steroids and anabolic agents: e.g., androstenediol, 1-androstenedione, bolandiol, bolasterone, boldenone, boldione, calusterone, clenbuterol, clostebol, danazol, dehydrochlormethyltestosterone, dehydroepiandrosterone (DHEA), desoxymethyltestosterone, dihydrotestosterone, drostanolone, ethylestrenol, fluoxymesterone, formebolone, furazabol, gestrinone, 4-hydroxytestosterone, 4-hydroxy-19-nortestosterone, mestanolone, mesterolone, methandienone, metenolone, methandriol, methyldienolone, methyltestosterone, methylnor-testosterone, methyl-trienolone, mibolone, nandrolone, 19-norandrostenediol, 19-norandrostendione, norbolethone, norclostebol, norethandrolone, oxabolone, oxandrolone, oxymesterone, oxymetholone, prasterone, prostanozolol, quinbolone, stanozolol, stenbolone, 1-testosterone, tetrahydrogestrinone, tibolone, trenbolone, zeranol, zilpaterol, and other substances with a similar chemical structure or similar biological effect(s).
- (e) Peptide Hormones, Mimetics, and analogs: e.g., Corticotrophin (ACTH), Glucocorticosteroids\*\*, Gonadotrophins\*\*\* (LH, HCG), Growth Hormone (hGH, somatotrophin), Erythropoietin (EPO) and other erythropoiesis-stimulating proteins (e.g. NESP, Nynepo), Mechano growth factors (MGFs), Insulin-like Growth Factor (IGF-1), Insulin\*\*\*\*, and all respective releasing factors of these substances.
- (f) Anti-Estrogenic agents including Aromatase inhibitors, clomiphene, cyclofenil, Estrogen Receptor Modulators (SERMs), and tamoxifen are prohibited.
- (g) Diuretics and other masking agents: e.g., probenecid and chemically or pharmacologically related compounds. Also many diuretics.

\*Cathine is prohibited when its concentration in urine is greater than 5 micrograms per milliliter. For ephedrine and methylephedrine, the definition of a positive finding is one in which the concentration in urine exceeds 10 micrograms per milliliter. For phenylpropanolamine and pseudoephedrine, the definition of a positive finding is one in which the concentration in urine exceeds 25 micrograms per milliliter.

\*\*USATF and the IAAF may, on notification and medical recommendation prior to use, approve inhalation therapy and local or intraarticular injections of corticosteroids and inhalation of certain beta-2 agonists.

\*\*\*Circumstances under which samples will be deemed to be positive for dihydrotestosterone, testosterone and HCG are described in Schedule 1 of the IAAF's Procedural Guidelines, which appears in the USATF Governance Manual.

\*\*\*\*The administration of certain beta agonists is permitted with the prior written authorization of USATF and/or the IAAF.

\*\*\*\*\*Permitted only to treat insulin-dependent diabetes, with written notification by an endocrinologist. (For exemption procedure, see Chapter 5 of the IAAF's Procedural Guidelines.)

This list is not exhaustive. Other substances may be banned by the International Olympic Committee (IOC) and the United States Olympic Committee (USOC). Some other



substances not listed here may be considered to be banned because they are related to specifically banned substances. Athletes are urged to call the U.S. Anti-Doping Agency (USADA) Drug Reference Line at 1-800-233-0393 before taking any medication and/or food supplement. The *IAAF Handbook and Procedural Guidelines for Doping Control* are available at [www.iaaf.org](http://www.iaaf.org). Other useful sites are: [www.wada-ama.org](http://www.wada-ama.org) and [www.usantidoping.org](http://www.usantidoping.org).

4. Prohibited techniques include the exogenous use of epitestosterone to alter the ratio of testosterone to epitestosterone, blood doping, gene doping, and the use of substances (e.g., diuretics, probenecid, and related compounds) and methods (e.g., catheterization, urine substitution and/or tampering) that alter the integrity and validity of urine samples collected during doping control.
5. Individuals who have committed doping offenses may be declared ineligible and may lose medals won and records set subsequent to the offense. If the offense is based on in-competition testing, prizes or appearance money earned at that competition and subsequent competitions are subject to forfeiture.
6. USATF participates in out-of-competition and in-competition doping control programs conducted by various drug testing authorities. One program is conducted by the United States Anti-Doping Agency (USADA) on behalf of the United States Olympic Committee (USOC). Another is conducted by IDTM on behalf of the International Association of Athletics Federations (IAAF). On occasion, USADA conducts testing on behalf of the IAAF. The IAAF has also contracted with the World Anti-Doping Agency (WADA) to conduct testing of track and field athletes on its behalf. Therefore, a USATF athlete may be drug tested by USADA, IDTM, or WADA. The relevant protocols are set forth in the 2015 USATF Governance Handbook.

#### **RULE 49 ATHLETE FITNESS AND WAIVER**

1. Athletes are responsible for their own physical health and for their own medical supervision.
2. By entering into a USATF sanctioned competition, an athlete specifically releases USATF (and its perspective members, directors, officers, employees, volunteers, contractors or agents) from any liability to the extent permitted by law for any loss, injury or damage that may be suffered in relation to or as a result of participation in such competition.

**ARTICLE III  
OFFICIALS**

**RULE 110  
MEET PERSONNEL**

1. There shall be as many officials at a meet as are necessary for its orderly and efficient operation, and compliance with these rules. The size of the meet and the level of competition both play a role in determining the number of officials to be used at an event. In some cases, the number of officials conducting an event may be reduced significantly.
2. Officials assigned as competition officials should be those certified by the National Officials Committee of USATF.  
**NOTE:** *The training and certifying of officials for athletics is supervised by the National Officials Committee and by the Officials Committee of each Association of USATF as authorized by USATF Regulation 16-I. Information may be obtained by contacting the Association Officials Chair or emailing certification@usatfofficials.com.*
3. Except for Competition Officials appointed in accordance with USATF Regulation 18-J, the Games Committee shall determine the number and appointment of Competition Officials including when and how the appointments are made.
4. The following personnel are recommended as a minimum, including Chief Judges where applicable, for the USATF National Championships specified in Rule 10 and Rule 11:

**Event Management Personnel**

Meet Director  
Games Committee  
Competition Director  
Assistant Competition Directors, as needed

<b>Management Officials</b>	<b>Minimum Indoor</b>	<b>Minimum Outdoor</b>
Technical Manager	1	1
Jury of Appeal	3	3
Referee - Track	1	1
Referee - Start	1	1
Referee - Field	1	1
Referee - Combined	1	1
Referee - Outside Stadium	-	1
National Technical Officials	1	3
Photo Finish Operator	1	1
Competition Secretary	1	1
Start Coordinator	1	1

<b>Competition Officials</b>	<b>Minimum Indoor</b>	<b>Minimum Outdoor</b>
Event Presentation Manager	1	1
Clerks of Course	4	6
Finish Line Judges*	9	12
Finish Line Coordinator	1	1
Field Judges		

Pole Vault, High Jump	4	4
Long Jump, Triple Jump	4	4
Shot Put, Weight	6	6
Discus, Javelin, Hammer	-	6
Electronic Measurement Judge	1	1
Umpires	8	12
Timers*	12	12
Photo Finish Judges	2	2
Transponder Timing Judges	2	2
Starter	1	1
Recall Starter	1	2
Lap Scorers	2	2
Marshals	4	5
Wind Gauge Operator	-	2
Inspector of Implements	1	2
Walk Judges	5	5
Race Walking Officials	2	2
Recorder of Records	1	1

\*Where adequate automatic photofinish devices are available, this number should be reduced substantially. See Rules 126.2 and 128.4.

**Support Personnel (as needed)**

Announcer	Doctor
Surveyor	Performance Board Operators
Press Steward	Awards Custodian

5. The following officials and support personnel are recommended for the conduct of cross country and road events:

Referee	Course Umpires
Starter	Course Recorders
Clerk of Course	Chute Umpires
Chief Finish Judge	Chute Controller
Finish Judges	Competition Secretaries
Judges' Recorder	Marshals
Timers	Doctors
Timers' Recorder	Press Steward
Jury of Appeal	Lap Counters

6. Referees, National Technical Officials, and Chief Judges should wear a distinctive armband or badge.
7. It is recommended that there be 6 to 9 Race Walking Judges, plus a sufficient number of Race Walking Officials.
8. Where feasible, no official should act in a dual capacity within the decision making chain of officials. A coach should not serve as an official or Referee for any single event(s) in which an athlete whom he/she coaches competes.
9. No track team or club team manager or coach should act as an official at a Championship, international selection competition, or international meet held under

IAAF Rule 1.1(a) through (d) for any single event(s) in which an athlete whom he/she coaches competes.

### **RULE 111 GAMES COMMITTEE**

1. In Championship meets, the Games Committee shall be appointed by the sport committee or committees of USATF.
2. In non-championship meets, this Committee may be appointed by the entity holding the meet.
3. This Committee shall be responsible for the correct conduct of the meet. It shall provide a place properly laid out and measured to conform to all the requirements of these rules, the appropriate sections of the IAAF Track and Field Facilities Manual and, shall also furnish all implements and equipment necessary for the satisfactory competition of the events scheduled in the official program, and shall have jurisdiction of all matters not assigned by these rules to the Referee or other officials. They may delegate operational responsibility for some or all of these areas to a Competition Director.
4. In non-championship meets, a meet director or meet manager, or both, may exclusively, or with the entity holding the meet, carry out any of the above-described functions.
5. The Competition Director, or an Assistant, shall check that all officials have reported for duty, appoint substitutes when necessary, and shall have authority to remove from duty any official for cause. In cooperation with the appointed Marshall, he/she shall arrange that only authorized persons are allowed in the competition area.

### **RULE 115 NATIONAL TECHNICAL OFFICIALS**

1. At the discretion of the Games Committee, National Technical Officials (NTOs) serve as assistants to the Referee to provide event oversight at major Championships.
2. The NTOs shall appoint one Chief among those already appointed for the competition if one was not previously appointed.
3. Whenever possible, the Chief NTO shall assign an NTO for every individual event, and the combined events, in the competition. The NTO shall provide all necessary support to the respective Referee of the event.
4. The NTO must be present at all times when an event, to which he/she has been assigned, is in progress and should ensure that the conduct of the competition is in full conformity with these Rules and the relevant decisions made by the Games Committee.
5. If a problem arises, or if they observe any matter, which in their opinion requires comment, they should, in the first instance, bring it to the attention of the Chief Judge of the event and if necessary, offer advice as to what should be done. If the advice is not accepted and there is a clear infringement of these Rules or decisions made by the

Games Committee, the NTO shall bring it to the attention of the appropriate Referee for immediate resolution.

6. At the conclusion of field events the NTO shall also sign the results sheets.

### **RULE 118 PHOTO FINISH OPERATOR**

The Photo Finish Operators have the responsibility for assembling, positioning, connecting, and properly operating all components used in the capture of images used by the Photo Finish Judges. At the beginning of each session, the Chief Photo Finish Operator shall provide the technical expertise to the Chief Photo Finish Judge to ensure that the official and backup fully automatic timing equipment (i) is started automatically by the Starter's pistol/starting device and (ii) is correctly aligned with the finish line. See Rules 128.6 and 165.10(a).

### **RULE 119 JURY OF APPEAL**

1. A Jury of Appeal composed of 3 or 5 persons, preferably certified officials, may be established by the Games Committees to consider appeals from decisions of or referrals from the Referee as to matters that develop during the conduct of the event. In instances where there is an appeal relating to Rule Race Walking, at least one member of the Jury should be a certified Race Walk judge as defined in Rule 230.1(e).
2. One of its members shall be the Chair. For Championships held under Rules 10 and 11, and when it is considered appropriate, a Secretary, who may be a nonmember of the Jury, shall be appointed. One or more alternates should also be named. Referees shall not serve as members of the Jury of Appeal. In no case shall any management personnel or competition official serve on a Jury of Appeal in considering any appeal where such person has previously performed an official function in respect of the matter being appealed. No member of the Jury of Appeal shall be present during any deliberations concerning an appeal that affects, directly or indirectly, an athlete affiliated with that member.
3. For National, Regional, and Association Long Distance Running and Cross Country Championship events and events sanctioned under Regulation 23-A or 23-B, a Jury of Appeal shall be appointed. For all non-championship long distance running and cross country events, a Jury of Appeal should be appointed, where feasible. For National and Regional Long Distance Running and Cross Country Championship events at least one member of the Jury of Appeal, as selected under Regulation 18, shall be certified as a competition official at the National or Master level.
4. (a) The Jury of Appeal shall, as its sole function in matters resulting from a Referee decision, determine if the decision of the Referee or the Chief Race Walking Judge is based upon adequate evidence and within the scope of the authority given to such person. If such determination is in doubt, the Jury of Appeal shall consult with all relevant persons and may consider other available evidence, including any available video evidence. The decision of the Referee or the Chief Race Walking Judge shall be upheld unless shown to be clearly erroneous.  
  
(b) For matters not the result of a Referee decision, the deliberations and actions of the Jury of Appeal shall be governed by Rule 125.

- (c) The decision of the Jury of Appeal shall be final. There shall be no further right to appeal. The Jury of Appeal may, however, reconsider decisions if new conclusive evidence is presented. In Youth Athletics, only video designated as official by the Games Committee before the competition may be used.

**NOTE:** *For appeal procedures, see Rule 146.8.*

### **RULE 123 TECHNICAL MANAGER**

The Technical Manager shall be responsible for:

1. Ensuring that the track, runways, circles, arcs, sectors, landing areas for field events and all equipment are in accordance with the Rules and shall verify the calibration of electronic measuring equipment. Certification of such shall be made to the appropriate Referee prior to the commencement of the competition.
2. The placement and removal of equipment according to the technical organizational plan for the competition as approved by the Games Committee.
3. Ensuring the technical presentation of the competition areas is in accordance with such plan.
4. Ensuring that the necessary certification under Rule 135 has been received before the competition.

### **RULE 124 EVENT PRESENTATION MANAGER**

1. The Event Presentation Manager shall plan, in conjunction with the Competition Director, the event presentation arrangements for a competition in cooperation with the Games Committee as and where applicable.
2. The Event Presentation Manager shall ensure that the plan is accomplished, resolving any relevant problems together with the Competition Director and the relevant members of the Games Committee.
3. The Event Presentation Manager shall direct the interaction between the members of the event presentation team (announcers, awards, broadcast), using a communication system to be in contact with each of them.

### **RULE 125 REFEREE**

1. One or more Referees, as appropriate, shall be appointed for track events, for field events, for Combined Events, and for running and Race Walking events outside the stadium. The Referee for track events and for events outside the stadium shall have no jurisdiction over matters within the responsibilities of the Chief Judge of Race Walking events. See rules 230 and 232.
2. The Referee shall ensure that the rules and applicable USATF competition regulations are observed and shall decide upon any matters which arise during the meet, including any matter arising at competitor check-in, within the warm-up area and after the actual competition, including awards, and for which provision has not been made in these

rules or any applicable competition regulation. The Referee for track events and for events outside the stadium shall have jurisdiction to decide placing in a race only when the Chief Finish Judge is unable to arrive at a decision. The Referee shall not act in a dual capacity but may take any action or decision according to the Rules based on personal observation.

3. A Track Referee when appointed to oversee the starts, is designated the Start Referee. The Start Referee has the authority to make a final decision on any facts related to the start of a race where there is disagreement with a decision of the Starter. This authority is not granted in cases when the start involves the 'commencement of a start' coupled with an illegal reaction time detected by a false start detection apparatus, unless, for any reason, the Referee determines that the information provided by the apparatus is obviously inaccurate or not fully considered in the determination of the rule violation.
4. The decision of the Referee in all matters shall be final and without further right to appeal except in those meets or events for which a Jury of Appeal has been established for that special purpose.
5. To arrive at a fair decision, the Referee may consider any available evidence which the Referee thinks necessary, including a film or picture produced by an official videotape recorder, or any available video evidence.  
**NOTE:** *For Youth Athletics exception see Rule 119.4c.*
6. To assist the Starter in races using crouch starts, a false start detection apparatus may be used. When such an apparatus is used, the Starter, or an assigned Recall Starter, shall wear headphones in order to hear clearly acoustic signals that are emitted to indicate the orderly operation of the apparatus and to indicate an illegal reaction time.
7. The appropriate Referee shall check all final results, shall deal with any disputed points and where there is no Measurement Judge (electronics), shall supervise the measurements of record performances. At the conclusion of each event, the official competition results shall be completed immediately, verified by signature if possible by the appropriate Referee or designee, and delivered to the Competition Secretary.
8. In the event of record performances, the appropriate Referee shall certify the result and duly note such on the appropriate form.
9. A Referee shall have the authority to warn any competitor for acting in an unsporting or improper manner. Warnings may be indicated to the competitor by showing a yellow card, exclusions by showing a red card. Warnings and disqualifications shall be entered on the results card. Those warnings and disqualifications decided by the Referee shall be communicated to the Competition Secretary and to the other Referees.
10. For road events, the Referee shall, wherever practicable, give a warning prior to disqualification. See Rule 243.4.
11. If, in the opinion of the appropriate Referee, circumstances arise at any meet such that justice demands that any event or any part of an event should be contested again, except as indicated in the authority of the Starter, the Referee shall have authority to declare the event or any part of an event void and that it shall be held again, either on the same day or on some future occasion, as the Referee shall decide.

12. The Combined Events Referee shall have jurisdiction over the conduct of the Combined Events competition. This Referee shall also have jurisdiction over the conduct of the respective individual events within the Combined Events competition. However, the track and field event Referees shall retain jurisdiction over the conduct of the respective individual events within the combined events competition if there is no Combined Events Referee.
13. The order of events stated in the official program shall not be changed, nor shall the announced arrangement of heats in any event be added to or altered, except by the Referee.
14. The Referee shall have the power to cancel or postpone to a future date any event, even though the same has actually commenced, if in the Referee's judgment the competition cannot be conducted or completed in a satisfactory manner and in fairness to the competitors and officials. Should any event have actually commenced, it shall be conducted (by the competitors who reported on the first date) at a future date in the same manner as though the competition had never been started. In events where any competitors have been eliminated, the Referee shall determine whether any such athletes may compete on the postponed date and at which point or round the competition should commence.

## **RULE 126**

### **JUDGES**

#### **FINISH JUDGES**

1. When an approved imaging device is properly functioning at the finish of an event, the image must be referred to the Photo Finish Judges for the primary determination of the order of finish. In the absence of such a device, the primary determination of the order of the finish shall be made by the Judges at the finish.
2. It is recommended that there be at least four Judges, and normally one more Judge than there are lanes used, at the finish, one of whom shall be designated as Chief Finish Judge, who shall decide the order in which the competitors finish and who shall assign the other finish Judges to their respective duties. The Chief Finish Judge shall only observe the finishes and his/her decision shall be given only in the case of a tie vote on the part of the other Judges. In case of a disagreement, the majority of the Judges concerned with the disputed place(s) shall decide, and if there is a tie vote on the part of such Judges, the Chief Finish Judge shall decide.  
**NOTE:** *When two or more independent photo finish systems are being used, the number of finish line officials may be reduced to no less than four with Timers and Finish Judges.*
3. When possible, Judges shall be placed on the same side of the track, at least 5m back from and in line with the finish, on an elevated platform.

#### **FIELD JUDGES**

4. A Head Field Judge shall be appointed, if there is no Field Event Referee.
5. The Chief Field Judge of each event shall perform the appropriate facility verification and certification if for any reason such certification is not given by the Technical Manager. The Chief Field Judge shall allocate the duties of each Judge in the event, and coordinate the work of the Judges.



6. The Chief Field Judge in each field event should not have or assume any duties that will prevent or interfere with the ability to determine the validity of any performance by any competitor.
7. Two Judges should keep a record of all trials.
8. The appropriate Field Judge(s) shall, at the completion of a trial, indicate a valid performance by raising a white flag and shall indicate a foul or non-valid performance by raising a red flag. See Rules 180.9 & 180.10.

**RULE 127**  
**UMPIRES**

1. The Chief Umpire, who is directly responsible to the Referee, shall generally supervise Umpires. The Chief Umpire shall:
  - (a) Brief and review with Umpires the appropriate rules of competition and any special regulations established for the competition by the Games Committee or the Referee;
  - (b) Place Umpires at locations where they may best perform their duties;
  - (c) Secure from Umpires complete details, orally and in writing, of any alleged violations and immediately submit the report of the alleged violation to the Referee; and
  - (d) Check the number, condition, and height of the hurdles and the placement and distance between hurdles in the event no Hurdle Inspector or other official has been appointed to do so.
2. Umpires are assistants to the Referee, to whom the Chief Umpire shall report, and have no authority to make final decisions.
3. Umpires, among other things, should be assigned to oversee the conduct of hurdle races and the passing of batons at the exchange zones in relay events.
4. It shall be the duty of an Umpire to:
  - (a) Stand at such point as the Referee or Chief Umpire may designate;
  - (b) Watch the competition closely and, in case of a foul or violation of the rules by a competitor or other person, communicate such breach by either raising a yellow flag or using other reliable means approved by the Games Committee; and
  - (c) Report, orally and in writing, to the Chief Umpire what he/she saw of the incident, even if the competitor or team does not finish the race.
5. When an Umpire observes that a competitor has run in a lane other than the assigned lane or that a relay baton has been passed outside the exchange zone, it is recommended that the umpire mark the track with a suitable non-permanent material where the athlete ran outside the lane or where the baton was passed.
6. In walking events, the assigned Umpires shall perform their duties as in any other event, but shall not be responsible for technique rules, which are the responsibility of the Judges of Race Walking.

**RULE 128**  
**TIMERS, PHOTO FINISH JUDGES, TRANSPONDER TIMING JUDGES**

1. When an approved imaging device is properly functioning at the finish of an event, the image must be referred to the Photo Finish Judges for the primary determination of the finish times for each competitor. In the absence, or failure, of such a device, the primary determination of the finish times shall be made by the Timers at the finish. Timers at the finish shall also be the back-up for races authorized to use a transponder timing system. Timers, Photo Finish Judges and Transponder Timing Judges shall act in accordance with Rule 165.
2. A certified official shall be designated as Chief Timer.
3. The Chief Timer, among other things, shall:
  - (a) Determine that all running and walking events are hand timed in accordance with these rules;
  - (b) Assign to Timers their assignments;
  - (c) Supervise the recording of all hand times taken;
  - (d) Make note of the records for the events to be timed, so an immediate check can be made in the event of record performances;
  - (e) In the event of a record performance, inspect the watches of the Timers involved and in the case of not fully-automatic timing, certify on the official record application form the times recorded by such Timers, who shall also sign the record application form; and
  - (f) When feasible, examine all watches prior to competition to determine their accuracy.
4. There shall be three Official Timers and one or two Alternate Timers, who shall time the winner of each event. The time recorded by the Alternate Timers shall not be considered unless one or more of the Official Timers' watches fails to properly record the time, in which event the Alternate Timers shall be called upon in such order as has been previously determined so that, if possible, in all races three watches shall have recorded the official winning time. Times for all finishers shall be recorded.

**NOTE 1:** *It is recommended that there be four more Timers than there are places being recorded (Chief Timer, two additional first place Timers and one alternate).*

**NOTE 2:** *When one fully automatic timing system is used, the Timers prescribed in Rule 128.4 should be used in a back-up capacity. When two independent systems are in use, a reduction may be made to one Official Timer and one Alternate Timer who should each time the winner. No back-up capacity is suggested when more than two independent systems are used.*
5. When it is feasible to do so, intermediate or lap times should be recorded in races of 800 meters and over and at every 1000m in races of 3000 meters and over. Split times should be given to all competitors in events longer than 400 meters either by use of a visible time clock, orally, or both. For races partially or entirely off the track, split times should be given to the competitors either by a visible time clock, orally, or both at appropriate locations on the course.

6. At the beginning of each session, when a fully automatic timing device is used, the Chief Photo Finish Judge, in cooperation with the Chief Photo Finish Operator, the Starter and the Referee, shall initiate and supervise tests to ensure that the fully automatic timing equipment complies with the alignment, automation and zero control function specified in Rule 165.10(a).
7. The Chief Photo Finish Judge shall determine the places of the athletes and their respective times. He shall then record and certify them, or ensure that they are correctly entered into the competition results system for forwarding to the Competition Secretary and/or such other officials designated by the Games Committee or Meet Director. Results shall subsequently be certified as official by the Referee or the Referee's designee. The determinations of the Photo Finish Judges may be appealed to the Referee for a final determination.
8. The Chief Transponder Timing Judge shall be responsible for the functioning of the System. Before the start of the competition, this judge will meet the technical staff involved, become familiar with the equipment, shall supervise the testing of the equipment and ensure that the passing of the transponder over the finish line will record the athlete's finish time. In conjunction with the Referee, the Chief Transponder Timing judge shall ensure that provision is made for the application of Rule 165.16(g).
9. In the event of record performances, the Referee should certify the times and duly note them on the records of the Photo Finish Judges. In the event of a record performance, the Chief Photo Finish Judge shall certify on the official record application form the time recorded for such record, and also sign the record application form. If a record is timed by a videotape based system or a computer based system, a printed picture shall be made where required.

**RULE 129**  
**STARTER AND RECALL STARTER**

1. The Chief Starter shall:
  - (a) Allocate the duties of the start team judges, assigning the task of giving the start to the member of the team who, in the opinion of the Chief Starter, is best for the event.
  - (b) Supervise the duties to be performed by members of the team.
  - (c) Inform the Starter, after receiving the relevant order from the Competition Director or otherwise ascertaining, that everything is in order to initiate the start procedure (i.e., the applicable Timers, Judges, Photo Finish Operators and Wind Gauge Operator are ready).
  - (d) Act as an interlocutor between the technical staff of the timing equipment company and the judges.
  - (e) Keep all papers produced during the start procedure including all documents showing the reaction times and/or false start waveform images if available, and deliver these to the Competition Secretary.

2. The Starter shall have entire control of the competitors at their marks and shall be the sole judge, except as herein otherwise provided, of whether or not any competitor has committed a false start. See Rule 162 for method of starting.
3. One or more Recall Starters shall be provided when possible to assist the Starter. The Chief Starter shall assign a specific task and position to each Recall Starter, who is obliged to recall the race if any fault is observed. They shall have the authority to recall the competitors, by appropriate means, in any race in which, in his/her opinion or that of the Starter, the start was not fair. If Recall Starters are assigned to observe one or more competitors, they shall place themselves so that each competitor can be clearly seen. After a recalled or aborted start the Recall Starter shall report his observations to the Starter who shall decide whether and to whom a warning or disqualification shall be issued.  
**NOTE:** *For events conducted with a staggered start, it is recommended that there be at least two Recall Starters.*
4. Notification of warnings and disqualifications concerning the start may be made only by or under the direction of the Starter.
5. To assist the Starter in races using crouch starts, a false start detection apparatus may be used. When such an apparatus is used, the Starter, and/or an assigned Recall Starter, shall wear headphones in order to hear clearly acoustic signals that are emitted to indicate the orderly operation of the apparatus and to indicate an illegal reaction time.
6. The Starters shall be clearly identifiable and shall be positioned so that there is full visual control over all runners during the start of the race.

### **RULE 131 LAP SCORERS**

1. Lap Scorers shall keep a record of the laps covered by each competitor in races longer than one mile. For races of 3 miles and over (3000 meters and over in indoor races), Lap Scorers shall also record on their lap scoring cards the times over each lap (as given them by an Official Timer) of the competitors for whom they are responsible. No Lap Scorer should be responsible for more than three competitors (six in the case of ultramarathons and road walking events).  
**NOTE:** *Whenever possible, an adequate number of trained lap scorers should be selected before the day of competition.*
2. At the completion of each race, lap scoring cards shall be delivered to the Referee.
3. One lap scorer shall be responsible for maintaining at the finish line a display of the laps remaining. The display shall be changed each lap when the leader enters the straight that ends at the finish line. In addition, manual indications shall be given, when appropriate, to competitors who have been, or are about to be, lapped. The final lap shall be signaled to each competitor, usually by ringing a bell.
4. Transponder systems complying with Rule 165.16 may be used for lap scoring.

**RULE 132**  
**COMPETITION SECRETARY / TECHNICAL INFORMATION CENTER (TIC)**

1. The Competition Secretary shall have the responsibility of preparing all entrant and start lists referred to in Rule 10 and Rule 11, or otherwise as appropriate, and worksheets for use by other officials. The Competition Secretary shall work closely with the Clerk of Course and the Referee in the reforming of heats and the preparation of start lists for subsequent rounds of competition. The Competition Secretary shall cause all start lists, including any amendments to start lists, to be distributed appropriately to other officials.
2. The Competition Secretary shall collect the results of each event, together with times, photo finish pictures, heights or distances furnished by the Judges and Timers or other officials, and the wind gauge information provided by the Wind Gauge Operator. As soon as possible thereafter, he/she shall communicate such information to the Announcer, Press Steward, or other appropriate officials and, after recording the places, times, heights, distances, and wind gauge readings, he/she shall deliver the official results, together with all official cards and photo finish pictures, to the Meet Director.
3. The Competition Secretary shall oversee the scoring of team competition, combined events and handicap races.
4. A Technical Information Center (TIC) shall be established for competitions held under Rule 10 and Rule 11 and is recommended for other competitions held over more than one day. The main function of the TIC is to ensure smooth communication between each competitor, the Games Committee, the Meet Director and the Competition Director regarding technical and other matters relating to the competition.

**RULE 133**  
**MARSHAL**

The Marshal shall have full charge of the enclosure or course and shall prevent anyone but officials and actual competitors from entering or remaining therein. The Marshal shall control the Marshal's assistants and assign to them their respective duties.

**RULE 134**  
**ANNOUNCER**

In conjunction with the Event Presentation Manager and under the general direction of the Games Committee, the Announcer shall announce to the public the names and numbers of the competitors taking part in each event and all relevant information such as the composition of the heats or lanes drawn and intermediate times. The results (placings, times, heights, and distances) of each event should be announced at the earliest practical moment after the Announcer receives the information. The Announcer or an assistant shall keep a log that records the time of day of all results announcements and shall make this log available to the Referee, the Jury of Appeal and the Competition Secretary on request.

**RULE 135**  
**SURVEYOR**

The Surveyor shall, immediately prior to the meet, survey the track and runways, and measure all distances that are to be contested, and also the circles, arcs, sectors, and other

measurements relating to the field events. The Surveyor shall also measure the levelness of the track and of all runways and landing areas and shall furnish a written statement of such to the Games Committee or the Referee before the meet.

**RULE 136**  
**WIND GAUGE OPERATOR**

The Wind Gauge Operator, except as provided in Rule 163.14, shall maintain the wind gauge, and take and record in writing, on the forms provided for that purpose by the Competition Secretary, the wind velocity in the direction of running for all running events (including hurdles events) up to and including the 200 Meters and the Long Jump and Triple Jump. The Wind Gauge Operator shall report each wind gauge measurement to the appropriate recorder for each event and shall provide a compilation of all measurements to the Competition Secretary.

**NOTE:** *For wind gauge placement and operation see Rule 163.10 through Rule 163.14.*

**RULE 137**  
**ELECTRONIC MEASUREMENT JUDGE**

1. One or more Measurement Judges shall be appointed when technological or scientific distance measurement is to be used.
2. Before the meet, this Judge shall meet with the technical staff and the operators of electronic distance measuring and data recording devices to become familiar with the specific equipment and the personnel.
3. Before each event where the device is used, the Judge shall supervise the positioning of the measuring instruments, taking account of the technical requirements given by the manufacturer, the instrument calibration specifications and the needs of the event chief.
4. To ensure that the equipment is operating correctly, the Judge shall, before and after each event, personally supervise or conduct a set of measurements in conjunction with the equipment operator under the supervision of the Referee to verify the accuracy of the device against a known distance, such as certified steel tape or an independently certified distance such as 100m. A form of conformity shall be issued, signed by all those involved in the test and attached to the results card.
5. During the competition the Judge shall remain in overall charge of the operators and equipment operation so that the Judge can report to the Field Events Referee that the equipment is accurate and operating properly during the competition.

**RULE 138**  
**CLERK OF COURSE**

1. The Clerk of Course shall control the Assistant Clerks of Course and assign them to such duties as deemed proper.
2. The Clerk of Course shall be provided with the names and the numbers of all competitors entered in running or walking events, and he/she shall notify them to appear at the starting line or other assembly area before the start in each event in which they are entered.

3. The Clerk of Course shall supervise the transit between the warm-up area and the competition area to ensure that the competitors after being checked-in are present and ready for the scheduled start of their event.
4. The Clerk of Course shall place each athlete in the correct lane or position. The Clerk shall place the athletes “under the command of the Starter” by assembling them in each lane or on the common start line, at the direction of the Starter between 1m and 3m behind the start line, with each athlete in a standing position and facing in the direction of the race. When this has been completed, the assigned Clerk shall signal to the Starter that all is ready. When a new start is ordered, the assembly shall occur again.
5. The Clerk of Course, and Assistants, shall ensure that competitors are wearing clothing, shoes, and spikes which are in accordance with USATF Rules. The Clerk shall verify that bibs correspond to those on the start list and are worn correctly. The Clerk shall also be responsible for distribution and proper placement of additional identification items used to aid in announcing and judging.
6. In handicap events from marks, the Clerk of Course shall place each competitor behind the proper mark and shall immediately notify the Starter should any competitor attempt to advance after the Starter has given the final oral command to the field.
7. In time allowance handicap events, competitors shall be assigned their positions by the Clerk of Course, who shall also furnish the Starter with the number and time allowance of each competitor.

### **RULE 139** **ADDITIONAL OFFICIALS**

1. **Finish Line Coordinator:** The Finish Line Coordinator shall be responsible for alerting all finish line officials that a track event is about to begin and to ensure that these officials are ready to perform their assigned duties prior to the start of that event. When this is accomplished, the Finish Line Coordinator shall inform the Starter of this condition. It is also the duty of the Finish Line Coordinator to ensure that the finish line area is free of all unauthorized personnel during the start, the progress, and the finish of a track event. A Finish Line Coordinator may be assigned to assist the Chief Finish Line Judge and/or Chief Timer in recording times and places.
2. **Inspector of Implements:** The Inspector of Implements shall weigh and measure implements used in competition, and shall place a designating mark on each implement passed as complying with all relevant specifications. He/she shall impound the non-complying ones for the duration of the competition. In an event that includes a qualifying round, he/she shall impound all implements that will be available for the final competition between the qualifying round and the competition proper. Under special circumstances (e.g., implements are damaged), the Referee may authorize the Inspector of Implements to certify additional implements between the qualifying round and the competition proper.
3. **Recorder of Records:** For all meets there shall be included in the list of officials a Recorder of Records. He/she shall see that records are properly applied for. He/she shall have at the site of the competition an adequate supply of record forms. He/she should have no other duties.

4. **Combined Events Coordinator:** A Combined Events Coordinator may be assigned for the Combined Events. He/she shall be present at all times to assist in the conduct of the event and shall report to the assigned Referee.

**RULE 140**  
**COMPETITION AREA**

The competition area is defined by the Games Committee. It is normally the area where the competition is being staged, physically separated from the area used by spectators. The designated areas, including that at road races, shall be clearly marked with fencing, banners, flags, or other suitable material to clearly indicate which area has access restricted to competing athletes and other authorized personnel.



**ARTICLE IV  
RULES OF COMPETITION**

**SECTION I  
GENERAL**

**RULE 141  
CLASSIFICATIONS**

1. Except as otherwise provided herein or in USATF's Operating Regulations, the following championship classifications shall be open to all member athletes of USATF who have complied with the requirements of these Rules, the Bylaws, and the Operating Regulations:
  - (a) The Open classification shall have no maximum age limit. In men's and women's long distance running, the Open classification shall be limited to athletes sixteen (16) years and older on the day of the competition. In Open men's race walking and all other Open women's competition, athletes shall be fourteen (14) years or older on the day of the competition.
  - (b) Junior: The Junior classification shall be limited to athletes who are fourteen (14) years or older on the day of competition and will not become twenty (20) years of age during the year of the competition.
  - (c) Youth: The Youth classification shall be limited to athletes who have not attained nineteen (19) years of age as of the final day of the National Junior Olympic Track and Field meet of the year of competition.

**NOTE:** *This is not the same as the IAAF definition of Youth.*

- (d) Masters: In Track and Field and Race Walking, the Masters classification shall be limited to athletes who are at least thirty-five (35) years old on the first day of the meet. In Long Distance Running, the Masters classification shall be limited to athletes who are at least forty (40) years old on the first day of the meet.

**NOTE:** *The USATF Masters starting age for LDR events is different than that defined by WMA or IAAF.*

**RULE 142  
COMPETITOR CHECK-IN**

1. All runners and walkers shall report to the Clerk of Course immediately upon their arrival at the place of meeting and no later than the check-in time designated in the entry blank or the meet information distributed by the Games Committee. All field event competitors shall report to the Chief Field Judge of their respective events at the designated time unless instructed to report to the Clerk of Course in the entry form or meet information distributed by the Games Committee.

**NOTE:** *See Rule 166.5.*

2. Each competitor shall inform himself/herself of the time of starting, and shall be promptly at the starting point of each competition in which he or she is entered, and there report to the Clerk of Course.
3. In scored competitions, except as provided below, an athlete shall be excluded from participation in all further events, including other events in which participation is occurring simultaneously, in the competition where:

- (a) A final confirmation was given that the athlete would start in an event but then failed to participate;

**NOTE:** *A fixed time for the final confirmation of participation shall be published in advance.*

- (b) An athlete qualified in a preliminary round of an event for further participation in that event but then failed to participate further;

- (c) An athlete failed to compete honestly, with bona fide effort. The relevant Referee will decide on this and a corresponding reference made in the official results.

**NOTE:** *The situation foreseen in (c) shall not apply to the individual events of a Combined Event.*

- (d) Passing in a field event is an allowable action by the athlete and does not constitute failure to participate.

This rule shall not apply to **track** events in which only a final is held, but an athlete may be barred from such an event if previously he or she has not honestly participated in a track event within the purview of this rule.

**NOTE:** *For Youth Athletics exception, see Rule 302.2(g).*

4. The Referee has the discretion to waive the honest participation rule in the event an athlete provides a medical certificate, based on an examination by a medical officer appointed or approved by USATF or the Games Committee, attesting to the fact that the athlete became unable to compete after being declared, or after competing in a previous round, but will be able to compete in further events on a subsequent day of the competition. Other justifiable reasons, such as factors independent of the athlete's own actions, may, after confirmation, also be accepted by the Referee.

### **RULE 143 ATHLETIC ATTIRE**

1. In all events competitors must wear clothing that is clean, designed, and worn so as not to be objectionable. The clothing must be made of a material that is not transparent even if wet. The competitors must not wear clothing that could impede the view of the judges. Athletes' vests should have the same color on the front and back. The size or number of logos on athletes' attire shall be restricted only when required by the IAAF or USOC. This rule shall be enforced by the Clerk of the Course for track and road events and the Chief Judge of each field event.
2. In hot weather, an athlete competing in a long distance road run may compete without a top shirt. This ruling will be made by the Referee with the approval of the Games Committee.
3. (a) A competitor may compete in bare feet or with footwear on one or both feet. The purpose of shoes for competition is to give protection and stability to the feet and a firm grip of the ground. Such shoes, however, must not be constructed so as to give the competitor any unfair additional assistance, including the incorporation of any technology which will give the wearer any unfair advantage, such as a spring or similar device. A shoe strap over the instep is permissible.

- (b) The sole and the heel of the shoes shall be so constructed as to provide for the use of up to 11 spikes. Any number of spikes up to 11 may be used, but the number of spike positions shall not exceed 11.

**NOTE:** *For Youth Athletics Javelin exception, see Rule 302.5(f).*

- (c) When a competition is conducted on a synthetic surface, that part of each spike which projects from the sole or heel, must not exceed 9mm, except in the High Jump and Javelin Throw, where it must not exceed 12mm. Competitors shall also comply with any instruction from organizers as to length of spikes. For non-synthetic surfaces, the maximum length of spike shall be 25mm. Each spike must be constructed so that it will, at least for the half of its length closest to the tip, fit through a square sided 4mm gauge.
- (d) The sole and/or the heel may have grooves, ridges, indentations, or protuberances, provided these features are constructed of the same or similar material to the basic sole itself.
- (e) In the High Jump and Long Jump, the sole shall have a maximum thickness of 13mm. In the High Jump, the heel shall have a maximum thickness of 19mm. In all other events, shoes may be of any thickness.
- (f) Athletes may not use appliances, either inside or outside the shoe, which will have the effect of increasing the thickness of the sole above the permitted maximum, or which can give the wearer any advantage which would not be obtained from the type of shoe described in the previous paragraphs. The thickness of the sole shall be measured as the distance between the inside top side and the outside under side, including the above-mentioned features and any kind or form of loose inner sole.

**NOTE:** *Orthotic inserts required for medical purposes are exempt from this rule.*

- 4. (a) When bib(s) are provided, every competitor shall wear them, as indicated in these rules, when competing.
- (b) If one bib is provided, it must be worn visibly on the front. When two bibs are provided, they must be worn on the singlet, front and back. If, pursuant to Rule 143.2, a singlet is not worn, the bibs should be worn on the shorts, front and back. The competitors may also be required to wear start list identifying numbers **visibly** on the hips and in other locations determined by the Games Committee.
- (c) No athlete shall be permitted to participate in any competition without the appropriate bib, except as indicated in these rules. Bibs are to be worn as issued (cutting or folding numbers is not permitted). The identifying information on the bib need not be numeric. It shall be of sufficient font type, size and contrast for clear visibility. Not wearing an assigned bib may be grounds for disqualification under Rule 145.2.

**NOTE:** *For Masters Exception see Rule 341.6.*

- 5. In the Pole Vault and High Jump, the competitors may wear the bib on the back or front only.
- 6. In Cross Country, Long Distance Running, and Race Walking the competitors shall wear a bib on the front and in Race Walking, also on the back. The bib(s) shall be

visible at all times during the competition. Failure to do so may result in disqualification from the event.

7. Where athletes compete in warm-up suits, the bibs must be worn on that suit as set forth herein.
8. Once a number has been assigned to a competitor, no other competitor may use it.
9. A transponder timing device and other identification issued by the Games Committee shall be worn according to instructions. Failure to do so may result in disqualification from the event.
10. The overall size of the bib shall not exceed 16.5cm x 19cm. The numerals on the bib should be at least 10cm in height. The sponsor's name shall not exceed 2.5cm x 15cm.  
**NOTE:** *Youth Athletics and road races, except for the size of the name of the sponsor, may vary the overall size of the bib and height of the numeral.*

#### **RULE 144 ASSISTANCE TO ATHLETES**

1. Competition under these Rules consists of self-propelled motion without assistance, except as defined by the Rules of Competition of a specific event discipline.  
**NOTE:** *For rules covering disabled-only competitions see the SPECIAL SECTION which follows ILLUSTRATIONS in this rule book.*
  2. Except as provided in road races (Rule 241) and in long distance walking events (Rule 232), during the progress of an event a competitor who has received any assistance whatsoever may be disqualified by the Referee. "Assistance" is the conveying of advice, information or direct help to an athlete by any means, including a technical device.
  3. **The following shall be considered examples of assistance:**
    - (a) Pacing in running or walking events by persons not participating in the event, by competitors lapped or about to be lapped, or by any kind of technical device other than those permitted under Rule 144.3(j).
    - (b) The visible possession or use by athletes of video, audio, or communications devices in the competition area. The Games Committee for an LDR event may allow the use of portable listening devices not capable of receiving communication; however, those competing in championships for awards, medals, or prize money may not use such devices.
    - (c) The use of any technology or appliance that provides the user with an unfair advantage which would not have been obtainable using equipment complying with the Rules.  
**NOTE:** *Shoes complying with Rule 143 are permitted.*
- (d) The setting of a competitor's starting blocks other than by an individual designated by the starter.

**The following shall not be considered assistance:**

- (e) Verbal or other communication, without the use of any technical device, from an individual who is not in the competition area to an athlete who is in the

competition area. In order to facilitate this communication and not to disturb the staging of the competition, it is recommended that a place in the stands, close to the immediate site of each field event, be reserved for the athletes' coaches.

- (f) Physiotherapy and/or medical treatment necessary to enable an athlete to participate, or continue participation once in the competition area, may be provided by members of the official medical staff appointed by the Games Committee and clearly identified as such. Accredited team medical personnel approved by the Meet Doctor specifically for this purpose may be permitted in the medical treatment area outside the competition area. In neither case shall the intervention delay the conduct of the competition or a competitor's trial in the designated order.
  - (g) Medical personnel authorized by the Games Committee or Referee to do so may perform a hands-on medical examination during the progress of an event for any athlete who appears in distress. If in their opinion it is in the best interest of the athlete's health and welfare, they may remove the athlete from the competition.
  - (h) Any kind of personal safeguard (i.e., bandage, tape, belt, support, etc.) for medical purposes. The Referee shall have the authority to verify any case should that be desired.
  - (i) Pace setting by an officially designated person entered in an event for that purpose is permitted, provided such pacesetters start in the event.
  - (j) Carrying or wearing articles of personal equipment such as wrist chronometers and heart rate monitors, speed distance monitors or stride sensors provided that such device cannot be used to communicate with any other person.
  - (k) Viewing by athletes competing in field events, of images of previous trial(s), recorded on their behalf by persons not placed in the competition area. See Rule 144.3(b). The viewing device or images taken from it shall not be taken into the competition area.
4. In a track event, any competitor competing to lose or to coach another competitor shall forfeit the right to be in the competition and shall be disqualified.
5. In a field event, an athlete may not leave the immediate area of the event and engage in dialogue with persons outside the area.  
**NOTE:** *Athletes competing in an event on the infield may not, during the competition, cross to the outside of the track.*
6. Any athlete giving or receiving assistance during any event other than permitted in Rule 144.3 must be cautioned by the Referee and warned that for any repetition, he or she will be disqualified from that event. If such disqualification occurs, any performance accomplished up to that time in the same event session shall not be considered valid. Performances accomplished in any previous event session, such as a qualifying round, shall stand.  
**NOTE 1:** *For Youth Athletics exception, see Rule 302.5(j).*  
**NOTE 2:** *Information conveyed to an athlete by an official is not considered assistance provided such information is made available to all athletes.*

7. Intermediate times and preliminary winning times may be officially announced and/or displayed. Otherwise such times must not be communicated to the athletes by persons in the competition area without the prior approval of the Referee. This permission shall only be given when there are no time displays visible to athletes at the relevant point and in circumstances where such times will be provided to all athletes in the race.
8. No attendant or competitor who is not actually taking part in the competition shall accompany any competitor on the mark or in the competition, nor shall any competitor be allowed, without the permission of the Referee or Judges, to receive assistance or refreshment from anyone during the progress of the competition, except as provided by Rules 144.3(b), 144.9, 232, or 241.
9.
  - (a) In races of 5000 Meters through 10,000 Meters, the meet organizers may furnish competitors with water and sponging stations on the track and in off-track events.
  - (b) In Track Events longer than 10,000m, water shall be provided and sponging stations may be provided. Refreshments may be provided either by the Games Committee or the athlete and shall be placed so that they are easily accessible to, or may be put by authorized persons into the hands of the athletes. Refreshments provided by the athletes shall be kept under the supervision of officials designated by the Games Committee from the time that the refreshments are lodged by the athletes or their representatives. See Rules 232 and 241.

#### **RULE 145 DISQUALIFICATION**

1. If an athlete is disqualified in an event because of an infringement of the USATF Competition Rules, reference to the USATF Rule infringed shall be made in the official results. Any performance accomplished up to that time in the same session of the event shall not be considered valid. Performances accomplished in any previous event session, such as a qualifying round, or previous events of a combined event, shall stand. This disqualification shall not prevent an athlete from participating in any future event.
2. Any competitor who shall refuse to obey the directions of the Referee or other proper official, or who shall conduct himself/herself in an unsportsmanlike manner, or who is offensive by action or language to the officials, spectators, or competitors at any competition may be disqualified by the Referee from future competition at the meet. If such disqualification occurs, any performance accomplished up to that time in the same event session shall not be considered valid. Performances accomplished in any previous event session, such as a qualifying round or previous events of a combined event, shall stand. If the Referee thinks the offense worthy of additional action, he/she shall promptly make detailed statement of the offense to the appropriate National or Association Officer.
3. If an athlete is cited for a second (or subsequent) time under Rule 125.8 for acting in an unsporting or improper manner, in different rounds of one event, or in different events, the athlete shall be disqualified from such second (or subsequent) events in accordance with this Rule.

## RULE 146 PROTESTS

1. Protests concerning the team status or eligibility of an entered competitor must be made to the Chair of the Games Committee prior to the commencement of the meet, or to the Referee during the meet.
2. Protests concerning the result or conduct of an event shall be made to the Referee at once and not later than 30 minutes after the announcement of the result of that event, except for the following:
  - (a) For Men's and Women's Long Distance Running, the time period shall normally be 24 hours, except for the Professional Section of road races, as defined in the race material (website, entry form, etc.), where the time period shall be 30 minutes.
  - (b) For Cross Country and Masters Long Distance Running Championships the time period shall be one hour.
  - (c) In the case of events in which final results are not announced on the day of competition, the Games Committee may determine, and announce in the results that are released, a period not to exceed seven (7) days during which protests may be made to the meet or race director.
3. Protests, at the discretion of the Games Committee or the Referee, may be made orally or in writing. For National Championships, they must be made in writing. Any protest should, in the first instance, be made orally to the Referee or to the Chief Official of the event by an athlete, or by an official representative of an athlete. Such person may only protest if they are or have an athlete competing in the same round of the event to which the protest relates or are competing in a competition on which a team points score is being conducted.
4. In races where a false start control apparatus is used, if an immediate oral protest is made regarding a decision by the Starter to charge a false start, the Referee may, if in any doubt, allow an athlete to compete under protest in order to protect the rights of all concerned and provide the time required to determine if the information provided by the apparatus is obviously inaccurate and other evidence is inconclusive with regard to the commencement of the start.

**NOTE:** *After being allowed to compete under a false start protest, all future false starts charged to the same athlete in the same race shall be treated independently. If in this case a subsequent false start results in disqualification, the Referee may declare all of the athlete's previous false start protests invalid.*
5. A protest may be based on the failure of the Starter to recall a false start, or under Rule 162.16 to abort a start. The protest may be made only by, or on behalf of, an athlete who has completed the race. If the protest is upheld, any athlete who committed the false start or whose conduct should have led to the start being aborted, and who was subject to warning or disqualification according to Rule 162.12 or Rule 162.16, shall be warned or disqualified. Whether or not there is any warning or disqualification, the Referee shall have the authority to declare the event or part of the event void and that it or part of it shall be held again if in his or her opinion justice demands it.

**NOTE:** *The right of protest and appeal for Rule 146.5 shall apply whether or not a false start control apparatus is used.*

6. If an immediate oral protest is made, in order to protect the rights of all concerned:
  - (a) Regarding a decision of a Field Judge that a jump or throw is foul or is invalid, the jump or throw should be measured, if possible. The measurement should be announced only if the protest is upheld.
  - (b) Regarding an attempt during the first three rounds of trials of a horizontal field event that would have advanced the athlete to the final three rounds only if the protest or subsequent appeal was upheld; or regarding an attempt in a vertical field event that would advance the athlete to a higher height only if the protest or subsequent appeal was upheld; the Referee may allow the athlete to continue competing under protest to preserve the rights of all concerned.
7. The protested performance of the athlete and any other performance achieved while competing under protest will become valid only if a subsequent decision to that effect is made by the Referee or an appeal to the Jury of Appeal is made and is allowed.
8. If possible, the Games Committee or the Referee shall decide protests at once. If the nature of the protest or the necessity of obtaining testimony or evidence prevents an immediate decision, the competitor shall be allowed to compete under protest, and the protest shall be decided by the Games Committee within one week, unless its subject be the eligibility of the competitor to compete, in which case the Games Committee must report such protest within 48 hours to the Member Services Chair in the Association where the meet is held.
9. Where a Jury of Appeal has been established to consider appeals of decisions of the Referee as to matters which developed during the conduct of the event, appeals must be made in writing by an athlete, or by an official representative of an athlete, within 30 minutes of the official announcement of the amended result of an event arising from the decision made by a Referee, or of the advice being given to those making the protest, where there is no amendment of any result. In the case of long distance races, the time period shall be 24 hours. For cross country, Masters Long Distance Running Championships and the Professional Section of road races the time shall be 30 minutes. Such person may only appeal if they are or have an athlete competing in the same round of the event to which the appeal relates or are competing in a competition on which a team points score is being conducted.

**NOTE:** *The relevant Referee shall, after making a decision on a protest, immediately inform the Competition Secretary of the time of the decision. If the Referee was unable to communicate this orally to the relevant teams/athletes, the official time of the announcement will be that of posting the decision at the Technical Information Center.*

#### **RULE 147** **MIXED COMPETITION**

For all competitions held completely in the stadium, mixed events between male and female participants shall not normally be permitted. However, authorization for such mixed competition in field events and in races of 5000 meters or longer may be made for a competition by the Chair or designee of the appropriate sport committee or council. Where mixed competitions are conducted in Field Events, separate result cards should be used and results declared for each gender.

**NOTE:** *See Rule 320.8 for Masters exception.*



**RULE 148**  
**MEASUREMENTS AND WEIGHTS**

1. All measurements, except as otherwise herein provided, must be made with a certified steel tape, fiberglass tape, bar graduated in centimeters, or a certified electronic measuring device. Measurements made with fiberglass tapes shall not be acceptable for records. In the case of a record, see the procedures in Rule 264.
2. (a) All measurements of field events must be read by the Field Judges. In measuring the distances of throwing events and horizontal jumps, the part of the tape or bar recording the distance achieved must be held by the official at the circle or take-off point.  
  
(b) Distances in field events:
  - i. Shall be measured in meters and shall always be recorded to the nearest 0.01m below the distance measured if the distance measured is not a whole centimeter (i.e., fractions less than 0.01m must be ignored).
  - ii. For methods of measurement specific to events, see Rule 181.2, Rule 184.7, and Rule 187.7. In the case of a record, see the procedures in Rule 264.
- (c) Only legal attempts shall be measured, unless an immediate protest is made per Rule 146.6.
3. All implements used on the field of play shall be weighed on a governmentally approved scale, or a scale that has a known calibration and linearity, and measured to ensure they meet other specifications required herein. Implement certification devices shall be constructed such that the gauges are within acceptable tolerances to assure the legality of the implements for the specified competition. In the case of a record, the implement shall be impounded and re-measured prior to its continued use in the competition to assure it meets the specifications for a record.

**NOTE 1:** *It is advisable to have at least one and preferably two calibration weights which are traceable to government standards in order to routinely confirm calibration and linearity from 1 kg to 8 kg.*

**NOTE 2:** *For measurement of tracks, see Rule 160. For measurement and certification of road courses, see Rule 240.*

**RULE 149**  
**VALIDITY OF PERFORMANCE**

1. No performance accomplished by an athlete shall be valid unless it has been made during a bona fide competition on a facility and (where relevant) using an implement that conforms to specifications set within these Rules.
2. Performances made outside traditional athletics facilities (such as those held in town squares, other sporting facilities, beaches, etc.) shall only be valid, if all of the following conditions are met:
  - (a) Qualified officials are appointed to and officiate at the event;
  - (b) Where applicable, equipment and implements in conformity with the Rules are used; and

- (c) The event is conducted at a site or facility in conformity with the Rules, including a survey where appropriate

### **RULE 150 VIDEO RECORDING**

An official video recording of all events to the satisfaction of the appropriate Sport Committees shall be made in competitions held under Rule 10 and Rule 11, and may be made in other competitions. The video recording should be sufficient to demonstrate the accuracy of performances and any violation of the Rules.

### **RULE 158 CORRECTABLE ERROR**

Within 72 hours after the last event of a competition, or before a subsequent round, results can be corrected by the Games Committee if an administrative error is detected, such as incorrect calculation of combined-event scores, placing or other errors based on clear and irrefutable factual evidence.

**NOTE:** See Rule 146.2(c) for LDR exception.

### **RULE 159 ELECTRONIC DEVICES**

Electronic devices not approved by the Games Committee shall not be used by any individual in the area of competition or designated warm-up area.

### **RULE 160 TRACK LANES AND MEASUREMENTS**

1. In all outdoor races at distances up to and including 400 meters, wherever possible, each competitor shall have a separate lane with a width of 1.22m  $\pm$ 0.01m (4 ft.) measured as provided in paragraphs 2 and 4 hereof and properly marked by lines 5cm in width. On tracks whose width does not permit 8 lanes of that width, the minimum width of the lanes may be 91.4cm (3 ft.). Only the line on the right hand of each lane shall be included in the measurement of the width of each lane. The inside radius should be limited to between 35.00m and 38.00m unless the curve is a double bend track designed to fit a playing field on the infield. In that case the minimum bend radius is 24.00m.
2. All distances run or walked shall be determined on the basis of a hypothetical line 30cm outward from the inner edge of the track, except that for races upon straightaways, the distance shall be measured in a raised direct line from the starting mark to the finish line. For any track without a raised border on the curve, the measurement shall be made 20cm from the outer edge of the white line marking the border of the track. For events run in lanes around a turn, all lanes except the one on the inside border shall be measured 20cm outward from the inner lane line.

**NOTE:** *If a track with a removable curb is used without the curb in place for races longer than 10,000 meters, it must then be regarded as an uncurbed track according to Rules 160.2 and 160.3. In this case the distance, which would normally be measured 30cm from the curb, must be recalculated to a path 20cm from the line marking the inside border. Assuming that this line lies directly under the intended curb location, this reduces the measured distance by 0.63m per lap (for example,*

*400m would become 399.37m). This reduced distance must then be used for all calculations of the distance run.*

3. The nominal length of an outdoor track shall preferably be 400 meters. It shall consist of two straights and two turns. The inside of the track shall be bordered by a raised curb of suitable material approximately 5cm high and 5cm wide. The curb may be raised to permit surface water to drain away, in which case the maximum height shall be 6.5cm. The curb on the two straights may be omitted and a white line 5cm wide substituted. If a section of the curb on the curve has to be removed temporarily for field event competitors, its place shall be marked with a white line 5cm wide and by plastic cones or flags (minimum height 20cm) placed on the white line so that the edge of the base of the cone or flag pole coincides with the edge of the white line closest to the track, and placed at intervals not exceeding 4m to prevent any athlete running on the line. This shall also apply for the section of the steeplechase track where runners divert from the main track to negotiate the water jump, at intervals not exceeding 10m.
4. The direction of the running or walking in any race around a curve on the oval track shall be left hand inside, except that for track events longer than 100 miles or 12 hours, competitors may, at the discretion of the Race Director, be permitted to reverse direction around the track at regular intervals. Direction reversal shall be done around a fixed object (e.g., a traffic cone) and shall be done at either the official starting line or the official finish line of the event, never at any other points on the track. Direction reversal shall be done only at regular time intervals (e.g., every 3 hours), not at fixed distance intervals. During direction reversal, runners who have reversed shall yield right-of-way to the inside lane to runners who have not yet reversed until the entire field of competitors has reversed direction.
5. The maximum allowance for lateral inclination of the track should not exceed 1:100, with the inclination to the inside lane. The downward inclination in the running direction shall not exceed 1:1000.
6. The start of a race shall be indicated by a white line 5cm wide marked on the track or ground. In the case of events starting outside the stadium, the start line may be up to 30cm in width and may be of any color contrasting distinctively with the surface or the finish line. In all events, the starting line and the finish line shall be so painted or laid down so that the distance of the race shall be measured from the edge of the start line farther from the finish line to the edge of the finish line nearer to the start line.
7. In all races around turns not run in lanes, the starting line shall be curved so that wherever it occurs on the track, all runners start the same distance from the finish. The track shall be permanently marked to show the cut-in points in the 800 Meters and in relay races that start, but do not finish, in lanes.  
**NOTE:** *The 1500m start line may be extended out from the outside bend lane to the extent that the same synthetic surface is available.*
8. (a) The 200 Meters shall be run in lanes around one turn.  
(b) The 400 Meters shall be run in lanes around two turns.  
(c) Whenever possible, the 800 Meters shall be run in lanes until the athletes have passed the nearer edge of the break line at the end of the first turn. The starts shall be so staggered that the distance from the start to finish shall be the same for each competitor. Small markers, such as cones or prisms 5cm x 5cm and no more than

15cm, high preferably of a different color from the break line and lane lines, shall be placed on the lane lines immediately before the intersection of the lane lines and the break line.

9. The separate arced starting line referred to in Rule 162.17 shall be marked in such a way that all of the competitors shall run the same distance. Also, an arced break line shall be marked at the beginning of the following straight to indicate to the athletes of the outer group where they are permitted to join the competitors using the regular starting line. Small markers, as in Rule 160.8(c), shall be placed at intervals not exceeding 4m along the inside lane boundary of the outer group from their start to the break line.

**NOTE:** *Full technical information on track construction, layout and marking are contained in the IAAF's Manual on Track and Field Facilities, which is available from the IAAF at [www.iaaf.org](http://www.iaaf.org).*

## **RULE 161 STARTING BLOCKS**

1. Starting blocks are to be used in track events, not as a material aid to the runner, but to protect the track and to expedite the carrying out of the meet. Hand supports are not allowed. Starting blocks must be made entirely of rigid materials and, while they may be adjustable, must be made without springs or other devices whereby the athlete can obtain artificial assistance or impetus. They should be so made as to easily and quickly be placed into position and removed without damage to the track. On all-weather tracks, the organizers or Games Committee may refuse to allow a competitor to use any personal starting blocks that can be shown to cause damage to the track.
2. Starting blocks shall be used for all races up to and including 400 meters and the lead-off leg of relays where that leg does not exceed 400 meters. They shall not be used for any other race.  
**NOTE 1:** *For Youth Athletics exception, see Rule 302.2(e).*  
**NOTE 2:** *For Masters exception, see Rule 332.2(d).*
3. No part of the starting block may overlap the starting line or extend beyond the lane in which it is placed.
4. Starting blocks linked to an IAAF-approved false start control apparatus may be used at any competition, and shall be used in Open Men's and Women's National Championships and USA Olympic Selection competition to assist the Starters. The apparatus shall emit an acoustic signal, audible to the Starter, or assigned Recall Starter, whenever the reaction time of the athlete detected by the apparatus is less than 0.1 second. In addition to the acoustic signal, a recall signal shall be an automated function of the false start detection apparatus when such function is available.
5. If the Starter deems it necessary, he/she may assign a block holder to any athlete. The block holder must sit on the track so that the holder does not interfere with the view of the Starter or Recall Starter(s). The holder shall not make contact with the foot pads.
6. No competitor shall receive assistance in setting starting blocks except from an individual designated by the starter.

## RULE 162 THE START

1. When starting, all competitors must be behind the starting line and they must not touch the starting line or the surface in front of it with any part of the body. Starting positions in events at all distances shall be numbered in order that the lowest number is closest to the inner edge of the track.  
**NOTE:** *For this Rule, hair is not considered a body part.*
2. All questions concerning the start shall be decided by the Starter.
3. Prior to each running event, the Starter or designee shall give instructions to competitors concerning the commands to be used. Before any starting commands, the Starter shall ascertain that the applicable Timers, Finish Line Judges, Photo Finish Judges and the Wind Gauge Operator, are ready.
4. In races where the competitors are not placed behind the same starting line (i.e., races of 200m to 800m on oval tracks), the Starter should use a microphone transmitting to speakers positioned at or near the starting line in each lane relaying the commands and any start and recall signals to all competitors at the same time. Where such a device is not used, the Starter shall so be placed that the distance between the Starter and each of the competitors is approximately the same.
5. Except for time handicap races, all running and walking events shall be started by the report of a pistol or approved device fired upward. The starting device should be held to provide a background against which the flash/smoke is clearly discernible.
  - (a) Where a pistol is used, it should be of not less than .32 caliber, with black powder shells giving a distinct flash/smoke, except in indoor competition, where a .22 caliber pistol may be used.
  - (b) When an electronic tone is used, it shall be of suitable loudness (>90dB at 15 feet) and shall simultaneously activate a flash/strobe.
  - (c) In time handicap races, the start command "Go" may be used.
6. The commands of the Starter shall be:
  - a) In races not exceeding 400 meters, "on your marks" and "set."
  - b) In races exceeding 400 meters, "on your marks." Before the command "on your marks," the Starter may assemble the competitors at an actual or imaginary line between 1m and 3m behind the starting line.

No later than the command "on your marks," the Starter shall raise the hand with the pistol or flash/starting device. That hand shall remain extended above the head until the start signal has been generated. During that time, the hand without the pistol/starting device shall remain at the Starter's side.

**NOTE 1:** *The above may be modified to accommodate the hearing impaired.*

**NOTE 2:** *To facilitate hand timing, the Starter may signal the Timers just prior to the 'set' command.*

7. In races up to and including the 400 Meters and lead-off relay legs not exceeding 400 meters, a crouch start and starting block must be used, unless prohibited by a permanent physical disability. Each competitor must, after the "on your marks"

command, assume a position completely within the assigned lane and behind the start line. Both hands and at least one knee must be in contact with the ground and both feet in contact with the foot plates of the starting block. At the "set" command, the competitor shall immediately rise to a final starting position retaining the contact of the hands with the ground and of the feet with the foot plates of the starting block. After the Starter has ascertained that all competitors are "set," the pistol/starting device shall be fired.

8. In races longer than 400 Meters, all starts shall be made from a standing position. Each competitor must, after the "on your marks" command, assume a position behind the start line and if applicable, completely within the assigned lane, without a starting block and shall not touch the ground with his/her hand or hands during the start. After the Starter has ascertained that all competitors are steady and in the correct starting position, the pistol/starting device shall be fired.
9. On the command "on your marks," or "set" as the case may be, all competitors shall at once and without delay assume their full and final starting position.
10. The Starter shall not fire the pistol/starting device, or give the start command, while any competitor is in motion nor before the Starter has ascertained that each competitor is steady and in the correct starting position.
11. Should the Starter or any Recall Starter not be satisfied that all is ready to proceed after the competitors are on their marks, he/she shall cancel the start and order the competitors to "stand up." Upon reassembly, a green card shall be shown to all the athletes to indicate that a violation was not committed by any athlete.
12. A competitor, after assuming a full and final set position, shall not commence his/ her start until first receiving the report of the pistol/starting device. If, in the judgment of the Starter, the athlete does so any earlier, it will be deemed a false start. When an IAAF approved false start control apparatus is in use, the Starter and/or an assigned Recall Starter with no other duties shall wear headphones in order to clearly hear the acoustic signal emitted when the apparatus indicates a possible false start, i.e. when reaction time is less than 0.100 seconds. As soon as the Starter and/or an assigned Recall Starter hears the acoustic signal, and if the gun was fired, there shall be a recall. The Starter shall immediately examine all the available numerical and graphical information generated by the false start control apparatus in order to confirm which athlete(s), if any, is/are responsible for the apparatus emitting a signal. Unless the apparatus was obviously not working properly, appropriate action shall be taken with respect to the athlete(s) with a reaction time faster than 0.100 of a second.

**NOTE 1:** *Motion by a competitor that does not include or result in one or both hands leaving contact with the ground, or one or both feet losing contact with the foot plates of the starting blocks, shall not be considered commencement of the start. Such instances may, if applicable, be subject to a disciplinary warning or disqualification.*

**NOTE 2:** *Athletes starting races in a standing position are more prone to over-balance. If such a movement is considered to be accidental, the start should be regarded as 'unsteady'. If an athlete is pushed or jostled over the line before the start, that athlete should not be penalized. Any athlete causing such interference may be subject to a disciplinary warning or disqualification.*

**NOTE 3:** *When an IAAF approved false start control apparatus is in operation, the evidence from this equipment, coupled with any resulting loss of contact (see Note 1), shall normally be accepted as conclusive by the Starter. See Rule 161.4.*

13. Any competitor(s) charged with a false start shall be disqualified and a red card/flag shall be placed on the respective lane marker(s), or raised in front of the respective athlete(s). For Combined Events, see Rule 200.3(c); For Youth, see Rule 302.2(d); For Masters, see Rule 332.2(c).

**NOTE:** *In practice, when one or more athletes commit a false start, others are inclined to follow and, strictly speaking, any athlete who does so has also committed a false start. The Starter should warn or disqualify only such athlete or athletes who, in the Starter's opinion, was/were responsible for the false start. This may result in more than one athlete being warned or disqualified. If the false start is not due to any athlete, no warnings shall be given and a green card shall be shown to all the athletes.*

14. In handicap races, the Starter shall disqualify from that event any competitor who attempts to advance from his/her mark, as prescribed in the official program, after the Starter has given the final oral command.

15. The Starter or any Recall Starter, after the start signal, who is of the opinion that the start was not fair, or who hears the false start acoustic signal generated by a false start detection apparatus, see Rule 161.4, shall recall the competitors by firing a pistol or sounding a distinctive recall tone.

**NOTE:** *Except for Rule 252.1, a recall, for a fall by a competitor, shall occur only when the opinion of a member of the start team is such that the fall is wholly part of an "unfair start". Any incident recalled for an "unfair start" must have taken place within close proximity to the start line and be clearly associated with the start. A distance beyond 10 meters shall not be considered "close proximity" to the start line.*

16. The Starter or any Recall Starter shall abort the start, and report to the Referee for improper conduct or for acting in an unsporting manner, an athlete who:

- (a) after the command "on your marks" or "set" as appropriate, and before the report of the pistol/starting device, signals to abort the start by an action such as raising a hand or standing from a crouched position and does not provide a valid reason for such action; or
- (b) in their judgment, fails to comply with the provisions of the command "on your marks" or "set" as appropriate, does not attain a full and final starting position after a reasonable time, or requires a warning on any provision of Rule 162; or
- (c) in their judgment, after the command "on your marks", disturbs other competitors in the race through sound or otherwise; or
- (d) in their judgment, performs any other misconduct at the start.

In these cases, the Referee shall act in accordance with Rule 125.8 and/or Rule 145.2, warning or disqualifying (in case of a second infringement of the Rule during the same competition) upon validation of the report. When an extraneous reason was determined the cause for aborting the start or the Referee does not agree with the Starter's decision, a green card shall be shown to all the athletes to indicate that no violation was committed by any athlete.

17. In races with more than 12 competitors that do not start in lanes, competitors may be divided into two groups with one group of approximately two-thirds of the competitors on the regular arced starting line and the other group on a separate arced starting line marked across the outer half of the track. The outer group shall run as far as the end of the first turn on the outer half of the track. See Rule 160.9.

## RULE 163 RUNNING COMPETITION

1. Competitors shall be placed at the finish in the order in which any part of their bodies (i.e., the “torso,” as distinguished from the head, neck, arms, hands, legs, or feet) reaches the finish line. In non-championship races conducted partly or entirely outside the stadium, the Games Committee may elect to place competitors using ‘net time order’, ‘first-across the line’ or a combination of both to determine placing and awards. See Rule 165.16.
2. In running events, including hurdle races and Steeplechases, no competitor may place any mark or marker upon the running surface or alongside it, except as allowed in relay races. See Rule 170.11.
3. Each competitor shall run in a direct line after entering the final straightaway in all races of two or more turns unless there is another competitor in his or her path.
4. Any competitor or participant jostling, running across, or obstructing another competitor or participant so as to impede his or her progress shall be liable to disqualification in that event. The Referee shall have the authority to order the race to be re-held, excluding the disqualified competitor or, in the case of a heat, to permit any competitor(s) seriously affected by jostling or obstruction (other than the disqualified competitor) to compete in a subsequent round of the race. Normally, such an athlete should have completed the event with bona fide effort. Regardless of whether there has been a disqualification, the Referee, in exceptional circumstances, shall also have the authority to advance a competitor seriously affected by jostling or obstruction or to order the race to be re-held if it is just and reasonable to do so.

**NOTE:** *Some factors to be considered when determining a disqualification include safety, equitable competition, severity of the infraction and resulting consequence.*

5. Each competitor must keep in the lanes outside the line or curb marking the inside of the track, including the curved part of the diversion from the track for the steeplechase water jump. In races run entirely in lanes, each competitor must keep in the allotted lane from start to finish. In races run partially in lanes, each competitor must keep in the allotted lane from the start to the marked cut-in points. Unless a material advantage has been gained or the athlete is in violation of Rule 163.4, a competitor shall not be disqualified if he or she:
  - (a) Is pushed or forced by another competitor to step out of the lane, or
  - (b) Steps out of the lane on the straightaway, or
  - (c) Steps or runs outside of the outer lane line on the curve, or on any straight part of the diversion from the track for the steeplechase water jump.

Excluding the above exceptions, the Referee shall disqualify a competitor if an Umpire reports that the competitor has stepped out of the lane.

**NOTE:** *Material advantage includes improving position by any means, including exiting from a 'boxed' position in the race by having stepped or run inside the inside edge of the track.*

6. Leaving Track, Field, or Course:



- (a) No competitor, after voluntarily leaving the track or course, shall be allowed to rejoin a race either for the purpose of gaining a place or to pace or to assist another competitor. The competitor shall be recorded as not finishing the event. A competitor attempting to re-enter the race shall be disqualified.
  - (b) In field events and in the combined events, with the permission of the Chief Judge of the event and accompanied by an official, a competitor may leave the immediate area of the competition during the progress of the competition (other than during a race). Competitors excused to compete in another event need not be accompanied.
  - (c) In any track event of 20,000 meters or more or in any road race, a competitor may leave the road or track with the permission and under the control of a judge or other authorized official, provided that by going off or returning to the course the athlete does not lessen the distance to be covered.
7. To be considered a finisher, a competitor must complete the race.
8. In any race decided on the basis of the distance covered in a fixed period of time, the Starter shall fire the pistol or give other audible or visual signal exactly one minute before the end of the race to warn competitors and judges that the race is nearing its end. At the exact specified time after the start, as directed by the Chief Timer, the Starter shall signal the end of the race by again firing the pistol or giving other audible or visual signal. The Timers will then immediately stop their watches. At the instant of the signal of the expiration of the time, the Judges appointed for that purpose shall mark the exact spot where each competitor last touched the track before or simultaneously with the final signal. Competitors may be given marking devices to place at their last contact point to aid the Judges. The distance achieved shall be measured to the nearest meter or yard behind the rear edge of the last footprint of the competitor. At least one judge shall be assigned to each competitor before the start of the race for the purpose of recording the time of each lap completed and marking the distance achieved.
9. Distances achieved in fixed time period races may be measured in miles, yards, or meters. However, the results must be reported in kilometers and/or meters. Distances converted from other than metric measurement must be indicated as such. Any conversions shall always be rounded down to the next lower meter.
10. (a) The periods for which the wind will be measured, from the flash of the starting pistol, are as follows:
- |                                      |            |
|--------------------------------------|------------|
| 80 Meter Hurdles.....                | 10 seconds |
| 100 Meters.....                      | 10 seconds |
| 100 Meter or 110 Meter Hurdles ..... | 13 seconds |
- (b) In the 200 Meters and 200 Meter Hurdles run around a curve, the wind velocity shall be measured for a period of 10 seconds, commencing when the runners enter the straightaway. In the Long Jump and Triple Jump, the wind velocity shall be measured for a period of 5 seconds, commencing 40m from the take-off board in the case of the Long Jump and 35m from the take-off board in the case of the Triple Jump or, if the competitor runs less than 40 or 35m, as the case may be, from the start of the run.

11. The wind measuring instrument shall be placed beside the sprint track, adjacent to lane 1, preferably 50m from the finish line and, for the Long Jump and Triple Jump, 20m from the take-off board. The instrument shall be not more than 2m away from the track or straightaway and should be approximately 1.22m (4 ft.) above the competition surface.
12. The wind gauge shall be read in meters per second, rounded and recorded to the next higher tenth of a meter per second, in the positive direction. (i.e., a reading of +2.03m per second shall be recorded as +2.1; a reading of -2.03m per second shall be recorded as -2.0). Gauges that produce digital readings expressed in tenths of meters per second shall be constructed so as to comply with this rule.  
**NOTE:** *For record requirements, See Rule 262.4.*
13. To insure an accurate reading of only the wind component in the direction of running, a mechanical wind gauge should have some type of protection which reduces the impact of any cross-wind component. Where tubes are used, their length on either side of the measuring device should be at least twice the diameter of the tube.
14. The wind gauge may be started and stopped automatically and/or remotely, and the information conveyed directly to the competition computer. Whenever the wind gauge is connected to a computer system, the Wind Gauge Operator shall assure that the wind gauge is properly transmitting the wind readings to the computer and that the computer is properly recording those readings.

#### **RULE 164 THE FINISH LINE**

1. The finish line shall be a line drawn across the track or course surface from finish post to finish post. Where their use may interfere with photo finish equipment, finish posts should not be used.
2. For the purpose of aiding the judges, but not as a finish line, there can be stretched across the track at the finish, 1.22m (4 ft.) above the ground and directly over the finish line, a worsted string or thread or tape of material which will not tend to injure the runners when broken by them. This worsted string or finish tape shall be held by officials other than the judges or by releasing clamps fastened to the finish post on either side, so that it will always be at right angles to the course and parallel to the ground. It is recommended that where there is fully automatic timing, the worsted string or tape not be used.
3. The finish post shall be of rigid construction, 1.37m (about 4 ft. 6 in.) in height, 7cm in width - and by width is meant the direction at right angles with the track - and 2cm in thickness.
4. The finish line on the surface, while theoretically of no appreciable width must actually have some width so that it may be more readily observed. This line should have a width of 5cm. In the case of events finishing outside the stadium the finish line may be up to 30cm in width and may be of any color contrasting distinctively with the surface of the finish area.  
**NOTE:** *See Rule 244 for finish line requirements at road events.*
5. In order to confirm that the camera is correctly aligned and to facilitate the reading of the Photo Finish image, the intersection of the lane lines and the finish line shall be

colored black in a suitable design. Any such design must be solely confined to the intersection, for no more than 2cm beyond, and not extended before, the leading edge of the finish line.

## **RULE 165 TIMING**

1. Four methods of timing are official, hand timing, fully automatic timing, video timing, and transponder timing as set forth in this Rule. A timing device that operates automatically at either the start or finish, but not at both, shall be considered to produce hand times.
2. Where practical, fully automatic timing should be used. Such times shall be the official times for those events unless the Referee determines that the equipment is not operating properly.
3. When hand times must be used, timing procedures shall be governed by sections 5 through 8. When properly functioning fully automatic timing is available, timing procedures shall be governed by paragraphs 9 through 12.
4. The time shall be taken from the flash/smoke of the pistol or approved apparatus to the moment at which any part of the competitor's body (i.e., the "torso," as distinguished from the head, neck, arms, hands, legs, or feet) reaches the perpendicular plane of the nearer edge of the finish line.
  - (a) For large races conducted partially or completely outside the stadium, false starts are not recalled and the time is taken from the first moment a competitor crosses the start line if that is before the starting signal.
  - (b) In non-championship races conducted partly or entirely outside the stadium, the Games Committee may elect to use 'net times', 'gun times' or a combination of both to determine official times. See Rule 165.16.

**NOTE:** *Times for races conducted partly or entirely outside the stadium may be published to 1/10 of a second to illustrate time differences between finishers, but only times rounded to the next longer full second shall be official.*

### **Hand Timing**

5. Hand times shall be taken by manually operated electronic devices with digital readouts. If the fully automatic timing system was not automatically started with the pistol, or suffered a loss of operation during the race, but did accurately record the finish, the hand times should be adjusted using information from a fully automatic timing system, if such information is available.
6. If two of the Official Timers' watches agree and the third disagrees, the time shown by the two shall be the official time. If all three watches disagree, the time shown by the watch recording the middle time (not the average of all three) shall be the official time. If for any reason only two watches record the time of an event, and they fail to agree, the longer time of the two shall be accepted as the official time.
7.
  - (a) For all hand-timed races on the track, unless the time is an exact 0.1 second, the time shall be converted and recorded to the next longer 0.1 second, e.g., 10.11 shall be recorded as 10.2. For races partly or entirely outside the stadium, unless the time is an exact whole second, the time shall be converted and recorded to the next longer whole second, e.g., 2:09:44.3 shall be recorded as 2:09:45.

- (b) If the hand of the watch stops between two lines indicating the time, the longer time shall be accepted.
  - (c) When the time displayed on electronic, manually operated digital timers includes decimal place values greater than zero, the recorded time shall be the displayed time rounded up to comply with the provisions of 7(a), above. E.g., For the track, a displayed time of 1:45.209 shall be recorded as 1:45.3 and a displayed time of 47.31 shall be recorded as 47.4. For outside the stadium, a displayed time of 2:09:44.001 or 2:09:44.01 shall be recorded as 2:09:45, a displayed time of 31:00.00 is rounded to and recorded as 31:00 and a displayed time of 31:00.01 is rounded to and recorded as 31:01.
8. When possible, Timers shall be placed at least 5m back from and in line with the finish on an elevated platform.

### **Fully Automatic Timing**

9. (a) If possible, there should be at least two fully automatic timing (FAT) systems of a similar make in operation, one from each side of the track at the finish line. At the Open and Junior National Championships, at least two FAT systems of a similar type shall be used and the placement should be with at least one at each side of the track at the finish line. Preferably, the two FAT systems should be technically fully separated, i.e., supported by different power systems and recording and relaying the report of the Starter's pistol, or approved starting apparatus, by separate equipment and cables.
- (b) Where two or more FAT systems are used, one should be designated as the official one before the start of the competition. The times and places from the other system(s) or camera(s) should not be considered unless there is reason to doubt the accuracy of the official system or if there is a need to use the supplementary images to resolve uncertainties in the finishing order or times.
  - (c) In the event that all FAT systems malfunction at the start of a race, the race should be recalled. See Rule 129.
10. (a) The FAT system must be tested and certified to be accurate within four years of the competition.
- (b) The FAT system shall record the finish through a camera positioned in the extension of the finish line producing a composite image. In each following case, the image must be synchronized with a uniformly marked time scale graduated in 0.01 seconds.
    - i. For competitions defined in Rule 10.1 and Rule 11.1, this composite image must be composed of at least 1000 images per second.
    - ii. For other competitions, this composite image must be composed of at least 100 images per second.
  - (c) The system shall be started automatically by the Starter's signal, so that the overall delay between the report from the muzzle, or its equivalent visual indication and the start of the timing system is constant and equal to or less than 0.001 seconds.
  - (d) If the FAT system is not started automatically in accordance with this rule, the image shall so indicate automatically. In such case, the times recorded on the

image will not, under any circumstances, per Rule 165.1, be considered official. The image may, however, be used as a valid support to determine positions and to adjust time intervals between runners. See Rule 165.5.

- (e) The placing of the athletes shall be identified from the image by means of a cursor with its reading line guaranteed to be perpendicular to the time scale.
- (f) The system must automatically determine and record the finish times of the athletes and must be able to produce a printed image which shows the time of every athlete.

11. Recording Times:

- (a) Fully automatic timing for races on the track up to and including 10,000 meters shall be read to 0.001 of a second, when possible. When the last digit is zero, that digit shall be dropped and the official time recorded in hundredths of seconds. Otherwise, the time shall be rounded to the next longer hundredth of a second and so recorded. When the fully automatic timing device cannot be read to 0.001 of a second, it shall be read and recorded in hundredths of seconds, rounded up to the next longer hundredth when the time is between hundredths indicators.
- (b) The result for fully automatic timed races on the track longer than 10,000 meters shall be read in 0.01 of a second and shall be converted to the next longer 0.1 of a second and recorded in tenths of a second, e.g., for the 20,000 Meters Run, 59:26.32 shall be recorded as 59:26.4.
- (c) The times for races conducted partly or entirely outside the stadium (off the track) shall be read in 0.01 of a second and shall be converted to the next longer whole second, i.e., for the Marathon, 2:09:44.32 shall be recorded as 2:09:45.

12. Any adjustments to hand timing will be accomplished by using time interval information from the fully automatic timing system and will be recorded in accordance with Rule 165.7(a).

**Video Timing**

13. A videotape-based system may be used for non-championship competition, provided:

- (a) It complies with the provisions of Rule 165.10;
- (b) It uses a videotape camera aligned with the finish line and videotape that produces at least 50 frames per second; and
- (c) It incorporates a timing device that generates a reading to 1/100th of a second. When a frame-by-frame videotape-based system is used, the official time for each competitor shall be read from the time of the frame where the competitor is positioned exactly at, or immediately after, the finish line.

**NOTE:** *Video timing is not fully automatic timing and is intended to be used as a backup timing system.*

14. When a videotape-based system is used, the Photo Finish Judges shall consider the frames immediately before and after the finish line. If there is any change in position between these two frames, the Judges shall declare a dead heat between the runners whose positions have changed.

### Transponder Timing

15. The use of transponder timing systems in road races, race walking events not held entirely within a stadium, and cross country races is permitted provided that:
- (a) The system requires no action by the competitor during the competition, at the finish line, or during any finish line or results related system or process;
  - (b) The weight of the transponder and its housing carried on the competitor's uniform, race number or shoe is not significant;
  - (c) None of the equipment used at the start, along the course or at the finish line constitutes a significant obstacle or barrier to the progress of the competitor;
  - (d) The transponder reading devices are positioned to ensure that times are not recorded after the starting line or before the finish line;
  - (e) The system, including the implementation of its components and its technical specifications, is approved by the finish line subcommittee of the Road Running Technical Council;
  - (f) The system is started in accordance with Rule 165.4;
  - (g) The determination of the official winning time is in accordance with Rule 165.4; and
  - (h) Times for other competitors will be adjusted, based on the official winning time.
16. In non-championship races conducted partly or entirely outside the stadium, the Games Committee may elect to determine times and places based 'net times', 'gun times' or a combination of both to determine placing and awards provided that:
- (a) The basis for determining times and places and awarding prizes and trophies is clearly stated in the entry materials along with any listings of prizes and trophies to be awarded.
  - (b) To determine "net time" and place:
    - i. A net time for each competitor is calculated as the difference between the raw (un-rounded) times recorded by transponder timing systems at the start and finish.
    - ii. The official places of the competitors are determined by ranking them by net time. If two or more athletes have the same net time, they are tied.
    - iii. The official times are determined by rounding up the net times to the next full second. See Rule 165.11(c).
    - iv. In the event that no start and/or finish time is recorded for one or more competitors, the Referee shall determine the official places and times for the competitors affected based on all available evidence.
  - (c) In the event a record is claimed, the "gun time" (the time from the flash/smoke of the pistol or approved apparatus to the transponder timing at the finish) shall be submitted, except in the case of Masters records. See Rule 265.8.

**NOTE:** See Rule 341.10 for Masters LDR Exception.

**SECTION II**  
**TRACK EVENTS**

**RULE 166**  
**REGULATIONS FOR FORMING HEATS**

1. The heats or sections for all rounds in the running events in the Open National Track and Field Championship, and to the extent feasible in all other meets, shall be formed according to the following:
  - (a) In individual races up to and including the 800 Meters, and relays up to and including the 4x400 Meters, the number of competitors on the track in a race, at the start, shall not exceed the number of lanes on the track for that event, excluding all lanes which would not qualify for record purposes. As an exception, in the first round for competitions listed in Rule 10 and Rule 27, or in any round for other competitions, up to 12 runners may start the 800 Meters using the procedure in Rule 162.17. This exception and procedure shall also apply where there are more athletes competing than lanes available due to advancement by a Referee.

**NOTE:** *For Youth Athletics exception see Rule 303.1(c).*

- (b) Unless otherwise provided within this Rule, no fewer than three (3) athletes from any one heat shall advance to the next round of competition. Except where Rule 167 applies, other athletes may qualify by place or by time according to Rule 166.1(h), the particular competition regulations, or as determined by the Games Committee. When athletes are qualified according to times, only one system of timing shall be applied.
- (c) In events of 1500 meters or longer, the Games Committee shall determine the number of heats, the number of qualifiers and the basis for qualification, within the following guidelines.
  - i. At least one half of the qualifiers for a succeeding round in any event shall be on the basis of place; no more than one half on the basis of time.
  - ii. If more than 16 report for the 1500 Meters, more than 18 report for the 3000 Meters or Steeplechase, or more than 20 report for the 5000 Meters (except for the Open Women's 5000 meters), heats shall be run.
  - iii. If heats are run as required in this section, then there shall be no more than 12 in the final of the 1500 Meters, no more than 14 in the final of the 3000 Meters or Steeplechase, and no more than 16 in the final of the 5000 Meters.
  - iv. If more than 24 report for the 10,000 Meters or the Open Women's 5000 Meters, the event should be run in sections of no more than 24, but may be run as heats of no more than 24, with no more than 20 advancing to the final of the 10,000 Meters and no more than 16 advancing to the final of the 5000 Meters.
  - v. The Games Committee of all meets other than the Open National Championships may elect to run these events as sections because of facility or scheduling conditions. The election of this format must be stated in the entry form.

- (d) When heats are being arranged, it is recommended that as much information as possible about the performances of all competitors be considered and the heats drawn so that, normally, the best performers reach the final. In the absence of extraordinary circumstances, the Games Committee shall use the following principles for forming heats.
- i. First round seeding, including sections, is derived from the ranked list of declared athletes, arranged in order of qualifying times. For qualifying periods that span more than 12 months, marks prior to the current calendar year (or current season in the case of indoor meets) shall be ranked following the ranking of all other marks. Entrants who have no seed mark shall be listed randomly following all those who have a qualifying seed mark.
  - ii. In rounds other than the first:
    - a. For events of 100 meters to 400 meters, inclusive, and relays up to and including the 4x400 Meters, seeding is determined from a list of competitors who advance on place followed by those who advance on time. Those who advanced on place are ranked first by their place in the previous round and then by their time in that round, creating ranked groups of place winners. Those who advance solely on time are ranked separately by only their time in the previous round. Only one system of timing may be applied to determine a qualifying position based on the time element. The disregarding of automatic timing for qualifying purposes does not negate those automatic times as official times for other purposes.
    - b. For all other events, seeding is from the list of competitors in the event, ranked by their original times used for seeding modified only by improvements achieved in previous rounds.
  - iii. Athletes are assigned to heats, from the ranked list for the appropriate round, working alternately from left to right and right to left, in a zigzag fashion. If this assignment to heats creates a heat that contains the fastest times from each place group (fastest first, fastest second, fastest third, etc.), the same ranked list and zigzag fashion are used, but the heat assignment for the fastest time in each place group is alternated. (See example for 4 heats, 4 qualifiers, in the table below.)
  - iv. In the process of assigning athletes to heats, no consideration shall be given to the team affiliation of any runner.
  - v. If all heats do not have the same number of contestants, the heats for the extra athletes will be drawn by lot.
  - vi. Heat order is drawn by lot.
- (e) Examples of forming heats:
- Legend: 1a - Fastest First-Place Runner  
1b - Second Fastest First-Place Runner, etc.  
2a - Fastest Second-Place Runner  
2b - Second Fastest Second-Place Runner, etc.  
(concluding with)  
5a - Fastest Time Qualifier  
5b - Second Fastest Time Qualifier, etc.



3 Heats, 4 Qualifiers on Place, 4 on Time			4 Heats, 4 Qualifiers on Place			5 Heats, 3 Qualifiers on Place	
Heat 1	Heat 2		Heat 1	Heat 2		Heat 1	Heat 2
1a	1b		1a	1b		1a	1b
2a	1c		1d	1c		1d	1c
2b	2c		2b	2a		1e	2a
3b	3a		2c	2d		2c	2b
3c	4a		3a	3b		2d	2e
4c	4b		3d	3c		3b	3a
5a	5b		4b	4a		3c	3d
5d	5c		4c	4d		3e (draw heat by lot)	

(f) Principles of assigning lanes.

i. For events of 100 meters to 800 meters, inclusive, and relays up to and including the 4x400 Meters:

a. In the first round, including a final if it is the first round, lanes will be drawn by lot, using the lanes designated by the Games Committee.

b. For all other rounds, competitors shall be ranked after each round in accordance with the procedures set forth in Rule 166.1(d)ii. Three draws will then be made.

(1) The first draw is for those preferred lanes as determined by the Games Committee, for a number equal to and not exceeding one-half the number of lanes used, for the highest ranked competitors in the race based on the ranked list for forming heats for the round.

(2) The second draw is for those preferred lanes as determined by the Games Committee, for a number equal to and not exceeding one-half those competitors remaining after the first draw.

(3) The third draw is for the remaining competitors in the race and the remaining lanes.

**NOTE:** *When there are more lanes than athletes, the inside lane(s) should always remain free.*

ii. For track events with non-lane starts, the position of the athletes on the track will be drawn by lot in all rounds.

(g) The principles set forth in forming heats and assigning lanes shall be applied to events when the number of entries requires more than one line of competitors at the starting mark.

(h) On a six (6), eight (8), or nine (9) lane track, in the absence of extraordinary circumstances, the following table shall be used in determining the number of heats and advancement procedure for events run entirely or partially in lanes. On other tracks, the table should be modified to reflect the other provisions of this Rule. For Championships and selection meets, alternate advancement procedures may be used as included in the published entry material.

**WHERE HAND TIMING IS USED**

<b>FOR EIGHT LANES</b>					
<b>Entries</b>	<b>Trial Heats</b>	<b>Qualifying to Semi-Final</b>	<b>Semi-Finals Heats</b>	<b>Qualifying to Final</b>	<b>Final</b>
1 to 8	0	-	0	-	1 to 8
9 to 16	0	-	2	3 + next 2 best times	8
17 to 24	0	-	3	2 + next 2 best times	8
25 to 32	4	3 + next 4 best times	2	3 + next 2 best times	8
33 to 40	5	4 + next 4 best times	3	2 + next 2 best times	8
41 to 48	6	3 + next 6 best times	3	2 + next 2 best times	8
49 to 56	7	3 + next 3 best times	3	2 + next 2 best times	8

<b>FOR NINE LANES</b>					
<b>Entries</b>	<b>Trial Heats</b>	<b>Qualifying to Semi-Final</b>	<b>Semi-Finals Heats</b>	<b>Qualifying to Final</b>	<b>Final</b>
1 to 9	0	-	0	-	1 to 9
10 to 18	0	-	2	4	8
19 to 27	0	-	3	3	9
28 to 36	4	4	2	4	8
37 to 45	5	3	2	4	8
46 to 54	6	3	2	4	8
55 +	Requires quarterfinals following the above pattern				

**WHERE FULLY AUTOMATIC TIMING IS USED**

<b>FOR EIGHT LANES</b>					
<b>Entries</b>	<b>Trial Heats</b>	<b>Qualifying to Semi-Final</b>	<b>Semi-Finals Heats</b>	<b>Qualifying to Final</b>	<b>Final</b>
1 to 8	0	-	0	-	1 to 8
9 to 16	0	-	2	3 + next 2 best times	8
17 to 24	3	4 + next 4 best times	2	4	8
25 to 32	4	3 + next 4 best times	2	4	8
33 to 40	5	2 + next 6 best times	2	4	8
41 to 48	6	2 + next 4 best times	2	4	8

<b>FOR NINE LANES</b>					
<b>Entries</b>	<b>Trial Heats</b>	<b>Qualifying to Semi-Final</b>	<b>Semi-Finals Heats</b>	<b>Qualifying to Final</b>	<b>Final</b>
1 to 9	0	-	0	-	1 to 9
10 to 18	0	-	2	4 + next best time	9
19 to 27	0	-	3	2 + next 3 best times	9
28 to 36	4	6 + next 3 best times	3	2 + next 3 best times	9

37 to 45	5	5 + next 2 best times	3	3	9
46 to 54	6	4 + next 3 best times	3	3	9
55 to 63	7	3 + next 6 best times	3	3	9
64 to 72	8	3 + next 3 best times	3	3	9
73 to 81	9	3	3	3	9

FOR SIX LANES					
Entries	Trial Heats	Qualifying to Semi-Final	Semi-Finals Heats	Qualifying to Final	Final
1 to 6	0	-	0	-	1 to 6
7 to 12	0	-	2	2 + next 2 best times	6
13 to 18	3	3 + next 3 best times	2	3	6
19 to 24	4	2 + next 4 best times	2	3	6
25 to 30	5	3 + next 3 best times	3	2	6
31 to 36	6	2 + next 6 best times	3	2	6
37 to 42	7	2 + next 4 best times	3	2	6
43 to 48	8	2 + next 2 best times	3	2	6

2. Whenever the number of competitors reporting for an event makes heats, as required in this Rule, unnecessary, the event shall be run as a final at the time in the program so scheduled for the final, unless other provisions have been made by the Games Committee.

**NOTE:** For Youth Athletics exception see Rule 303.2(b).

3. Whenever the number of competitors reporting, in any heat or round, for an event eliminates the element of competition, the Referee, or one or more persons appointed by the Referee, may reform the heats, redetermine the number of rounds, or redetermine the qualifying procedures for the event, in accordance with this Rule, unless other provisions have been made by the Games Committee.

**NOTE 1:** For rule applicable to forming heats for Indoor competitions, see Rule 214.

**NOTE 2:** For rules applicable to forming heats in Youth Athletics competition, see Rule 303.

4. Whenever the Games Committee determines that there are too many competitors to run a single final, and the schedule precludes a qualifying round, the event shall be contested in sections as a time-based final. In timed final events, sections shall be derived from the ranked list of declared athletes, arranged in order of qualifying times. Each section, beginning with the fastest, shall be filled to its limit before placing anyone into the next section. If the last section has fewer than three competitors, the slowest ranked competitor(s) from the previous section, as needed, shall be moved to that section. Sections shall be contested in reverse order, slowest to fastest. The final results of athletes in the event shall be overall according to the results of all sections.

**NOTE 1:** See Rule 302.2(a) and (b) for Youth Athletics.

**NOTE 2:** See Rule 332.2(e) for Masters Track and Field.

5. After the Clerk of Course has reported to the Referee the number of competitors ready to start in the first round of a running event and the Referee has designated the number to compete in each heat and the number of heats to be run as well as the number to qualify to the next round, additional competitors shall not be permitted to start.
6. For seeding purposes only, the conversion factor of .24 seconds between fully automatic and manual timing must be used when conversions are made (i.e., the manual time plus the conversion factor equals the fully automatic time for seeding purposes under Rule 166).
7. When an individual or relay team, having qualified for a subsequent round, withdraws for any reason, no additional individual or relay team shall be advanced to fill the vacated position. When an individual or relay team is disqualified prior to the subsequent round, the qualifiers and seeding shall be re-determined without the disqualified competitor(s) unless the disqualification results in advancement under Rule 163.4, in which case no other advancement shall occur.

**NOTE 1:** *An athlete who is declared with exhibition status prior to an event shall not be considered to be a qualifier for the next round.*

**NOTE 2:** *For Masters exception, see Rule 332.2(b).*

### **RULE 167 RUNNING EVENT TIES**

1. In determining whether there has been a tie for a qualifying position for the next round based on time, the Photo Finish Judge shall consider, within the same race, the competitor's finish place as determined by Rule 163.1, or between different races, the actual time recorded by the competitors to not greater than 0.001 seconds accuracy.

Whether by time or finishing place, if it is determined that there has been a tie, the tying competitors shall be placed in the next round if it is practical to do so. If that is not practical, lots shall be drawn to determine who shall be placed in the next round.

Where qualifying for the next round is based on place and time, i.e., the first three in each of two heats plus the next two fastest, and there is a tie for the last qualifying position based on place, placing the tied athletes in the next round shall reduce the number of athletes qualifying based on time.

2. In case of a tie for any place in any final, including first place, the tie shall remain.

### **RULE 168 HURDLES**

1. For outdoor competition, the standard distance for hurdle races, which shall have 10 flights of hurdles in each lane and set out in accordance with the following table, shall be:

	<b>Distance of Race</b>	<b>Height of Hurdle</b>	<b>Distance from Start to First Hurdle</b>	<b>Distance Between Hurdles</b>	<b>Distance from Last Hurdle to Finish</b>
Junior Men	110m	0.995m (±0.005)	13.72m	9.14m	14.02m
Men	110m	1.067m (±0.003)	13.72m	9.14m	14.02m
Men	400m	0.914m (±0.003)	45m	35m	40m

Women	100m*	0.840m (±0.003)	13m	8.5m	10.5m
Women	400m*	0.762m (±0.003)	45m	35m	40m

\* For experimental purposes, women's events may be conducted with a hurdle height of 0.914m (36in.).

**NOTE:** For Indoor specifications, see Rule 216. For specifications for Masters races, see Rule 332.2(j). For specifications for Youth Athletics, See Rule 302.4

2. A hurdle shall be of such strength and stability as not to be broken easily by a competitor hitting the same, and if of the reversible or adjustable type, shall be rigid when so adjusted.
3. All races shall be run in lanes. Each athlete shall jump each hurdle and shall keep to his or her own lane throughout. In addition to the applicable provisions of Rule 163, a competitor shall be disqualified if:
  - (a) His/her leg or foot is, at the instant of clearance, beside the hurdle (on either side) below the horizontal plane of the top of any hurdle; or
  - (b) In the opinion of the Referee, he/she deliberately knocks down any hurdle.
4. Except as provided in paragraph 3 above, the knocking down of one or more hurdles does not disqualify the athlete nor prevent a record provided standard 3.6kg pull-over weight hurdles have been used.

**NOTE:** Under IAAF Rule 168.9, in establishing a world record a complete set of hurdles of the international type must have been used. For specification of the hurdles, see USATF Rule 168.5 - 168.11.

5. **Construction** - The hurdles shall be made of metal or some other suitable material with the top bar of wood or some other suitable material and shall consist of two bases and two uprights supporting a rectangular frame reinforced by one or more crossbars, the uprights to be fixed at the extreme end of each base. The hurdles shall be of such design that a force of at least 3.6kg (8 lb.) applied horizontally to the center of the top edge of the crossbar is required to overturn it. The hurdles may be adjustable in height for each event. The counterweights must be adjustable so that at each height a horizontal force of at least 3.6kg (8 lb.) and not more than 4.0kg is required to overturn it.  
**NOTE:** A diagram showing the design of approved hurdles appears in Figure 1.
6. **Width** - The maximum width shall be 1.20m.
7. **Length** - The maximum length of the base shall be 70cm.
8. **Top Bar** - The top bar shall be 7cm wide and shall be striped in black and white or in some other strong distinctive contrasting colors, also in contrast with the surrounding environment, in such a manner that the lighter stripes appear for at least 22.5cm at each end of the bar. The thickness of this bar shall be between 10 and 25mm and the top edges should be rounded. The bar should be firmly fixed at the extremities. The top bar shall be of a length equal to the width of the lane in which it is placed.
9. **Placement** - The hurdles shall be so placed on the track that the feet of the hurdles shall be on the side of the approach by the competitor. The hurdle shall be so placed that the edge of the bar nearest the approaching hurdler coincides with the track marking nearest the approaching hurdler.
10. **Weight** - The total weight of the hurdle shall be not less than 10 kilograms.

11. **Testing** - To check the resisting force of hurdles, a simple spring balance should be used to apply a pulling force horizontally to the center of the crossbar. Alternatively, use a cord with a hook applied horizontally to the center of the crossbar; take the cord along over a pulley fixed appropriately and load the other end of the cord with weights.  
**NOTE:** *The so-called "rocker" hurdle does not comply with the above specifications.*

## RULE 169 STEEPLECHASE

1. The standard distance shall be 3000 meters. Races of 1500 and 2000 meters may also be contested.
2. The 3000 Meter Steeplechase shall have 28 hurdle jumps and 7 water jumps. The 2000 Meter Steeplechase shall have 18 hurdle jumps and 5 water jumps. The 1500 Meter Steeplechase shall have 13 hurdles and 3 water jumps. There shall be five jumps per lap after the finish line has been passed for the first time. The water jump shall be the fourth if that is feasible. The jumps should be evenly distributed, i.e., the distance between the jumps shall be approximately one-fifth of the nominal length of the lap. Because of differences in track design and water jump placement, all steeplechase courses must be individually measured. Generally, only the start line will need to be adjusted. A diagram showing a typical configuration of the barriers on a 400m track with an interior water jump is shown in Figure 2.

**NOTE 1:** *Adjustment to the hurdle spacing may be necessary to ensure that safe distances from a hurdle / start line and to the next hurdle are maintained before and after the finish line respectively as indicated in the IAAF Track and Field Facilities Manual.*

**NOTE 2:** *In the 2000m event, if the water jump is on the inside of the track, the finish line has to be passed twice before the first lap with five jumps.*

3. The men's hurdles shall be 91.4cm ( $\pm 3$ mm) high (3 ft.). The women's hurdles shall be 76.2cm ( $\pm 3$ mm) high (2 ft. 6 in.). The hurdles shall be at least 3.96m wide and shall be placed on the track so that 30cm of the top bar, measured from the inside edge of the track, will be inside the field. The section of the top bar of the hurdles and the hurdle at the water jump shall be 12.7cm (5 in.) square. The weight of each hurdle shall be between 80 and 100kg, and each hurdle shall have on either side a base between 1.2 and 1.4m. All hurdles are to be painted with white and black stripes, or in other strong distinctive contrasting colors, also in contrast with the surrounding environment, in such a manner that the lighter stripes, which will be at least 22.5cm wide, are on the outside. See Figure 3.

**NOTE:** *It is recommended that the first hurdle taken in the race should be at least 5m wide.*

4. Each competitor shall go over or through the water and shall go over each hurdle. An athlete shall be disqualified if he/she:
  - (a) Steps to one side or the other of any hurdle or water jump; or
  - (b) Has a leg or foot, at the instant of clearance, beside the hurdle (on either side) below the horizontal plane of the top of any hurdle.Provided this Rule is observed, an athlete may go over each hurdle in any manner.

5. Water Jump Construction:

- (a) The water jump, including the hurdle, shall be 3.66m ( $\pm$  2cm) in length and 3.66m ( $\pm$  2cm) in width. At the start of a race, the surface of the water shall be level with the surface of the track, within a margin of 2cm. The depth of the water closest to the hurdle shall be 70cm for approximately 30cm. From there, the bottom shall have a uniform slope upwards to the level of the track at the farther end of the water pit. The hurdle at the water jump shall be 3.66m ( $\pm$  2cm) wide, and shall be firmly fixed to the ground, so that no horizontal movement is possible. The top bar shall be 12.7cm x 12.7cm (5 in. x 5 in.) in thickness and the same height as the others.
- (b) The sloped portion of the bottom of the water pit shall be covered with a synthetic surface, or matting, of sufficient thickness to afford a safe landing, and allow for the spikes to grip satisfactorily. See Figure 4.

### **RULE 170 RELAY RACES**

1. The standard distances for outdoor shall be: 4x100m, 4x200m, 4x400m, 4x800m, 4x1500m, 'Swedish' Medley Relay (100, 200, 300, 400) and Sprint Medley Relay (200, 200, 400, 800). The standard distances for indoor shall be: 4x400m, 4x800m, Sprint Medley Relay (400, 200, 200, 800) and Distance Medley Relay (1200, 400, 800, 1600).

**NOTE 1:** *The Medley Relay may be run with the legs in a different order in which case the appropriate adjustments should be made to the application of Rules 170.10, 170.13, 170.14 and 170.15.*

**NOTE 2:** *For indoor relay event procedure, see Rule 217*

2. Lines 5cm wide shall be drawn across the track to mark the distances of the legs and to denote the scratch line.
3. Each exchange zone shall be 20m long of which the scratch line is the center. The zones shall start and finish at the edges of the zone lines nearest the start line in the running direction. For each exchange conducted in lanes, a designated official shall ensure that the athletes are correctly placed in their exchange zone and are aware of any applicable acceleration zone. The designated official shall also ensure that Rule 170.5 is observed.
4. The relay baton shall be a smooth hollow circular tube made of wood, metal or other rigid material in one piece. Its length shall be between 28 and 30cm. Its outside diameter shall be 4cm  $\pm$ 2mm and it shall weigh not less than 50g. It should be a color so as to be clearly visible during the race. No material or substance may be applied to the baton. In road relay races, in lieu of a baton, runners shall exchange a sash or wristband provided by race officials.
5. Check Marks. When all or the first portion of a relay race is being run in lanes, a runner may place one check mark on the track within his/her own lane, by using self-adhesive tape, maximum 5cm x 40cm, of a distinctive color which cannot be confused with other permanent markings. For a cinder or grass track, the runner may make a check mark within his/her own lane by scratching the track. In either case no other check mark may be used.  
**NOTE:** *For Youth Athletics exceptions, see Rule 302.2(f).*
6. The 4x100m race shall be run entirely in lanes.

7. The 4x200m race may be run in any of the following ways:
  - (a) Where possible, entirely in lanes,
  - (b) In lanes for the first two legs, as well as that part of the third leg up to the nearer edge of the break line described in Rule 160.8(c), where runners may leave their respective lanes,
  - (c) In lanes for the first leg up to the nearer edge of the break line marked and described in Rule 160.8(c), where runners may leave their respective lanes.

**NOTE:** *Where not more than four teams are competing, option (c) is recommended.*
8. The 4x400m race may be run in either of the following ways:
  - (a) In lanes for the first leg, as well as that part of the second leg up to the nearer edge of the break line described in Rule 160.8(c), where runners may leave their respective lanes,
  - (b) In lanes for the first leg up to the nearer edge of the break line marked and described in Rule 160.8(c), where runners may leave their respective lanes.

**NOTE:** *Where not more than four teams are competing, option (b) is recommended.*
9. The 4x800m race may be run in either of the following ways:
  - (a) In lanes for the first leg up to the nearer edge of the break line marked and described in Rule 160.8(c), where runners may leave their respective lanes,
  - (b) Without the use of lanes.
10. The ‘Swedish’ Medley Relay and the outdoor Sprint Medley Relay races should be run in lanes for the first two legs, as well as that part of the third leg up to the nearer edge of the break line marked and described in Rule 160.8(c), where runners may leave their respective lanes.
11. The 4x1500m race shall be run without the use of lanes.
12. In the 4x100m, 4x200m and other relay races where the distance of an incoming leg is 200m or less, the outgoing member of the team may commence running not more than 10m outside the exchange zone. A distinctive mark shall be made in each lane to denote this extended limit. If a runner does not follow this Rule, his/her team shall be disqualified.
13. In the 4x400m, 4x800m, 4x1500m races, the last two legs of the outdoor Sprint Medley Relay and the final takeover in the ‘Swedish’ Medley Relay, runners are not permitted to begin running outside their exchange zones, and shall start within the exchange zone. If a runner does not follow this Rule, his/her team shall be disqualified.
14. In the 4x400m race, the third and fourth leg runners, and in the ‘Swedish’ Medley Relay and outdoor Sprint Medley Relay, the final leg runner, shall, under the direction of a designated official, place themselves in their waiting position in the same order (inside to out) as the order of their respective team members as they pass the point 200m from the finish of their leg. Once the incoming runners have passed this point,



the waiting runners shall maintain their order, and shall not exchange positions at the beginning of the exchange zone. If a runner does not follow this Rule, his/her team shall be disqualified.

**NOTE:** *In the 4x200m relay race, not run entirely in lanes, the runner in the fourth leg shall line up in the order of the start list (inside to out).*

15. In any race, when lanes are not used, for a given exchange, waiting runners may take an inner position on the track as incoming team members approach, provided they do not jostle or obstruct another runner so as to impede that runner's progress. In the 4x200m, 4x400m, 'Swedish' Medley Relay and outdoor Sprint Medley Relay, waiting runners shall maintain the order in accordance with Rule 170.14. If a runner does not follow this Rule, his/her team shall be disqualified.
16. The baton shall be carried by hand throughout the race. Competitors are not permitted to wear gloves or to place material (other than those permitted by Rule 144.2(g)) or substances on their hands in order to obtain a better grip of the baton. If dropped, it shall be recovered by the runner who dropped it. He/she may leave any assigned lane to retrieve the baton provided that, by doing so, the distance to be covered is not lessened. In addition, where the baton is dropped in such a way that it moves sideways or forward in the direction of running (including beyond the finish line), the runner who dropped it, after retrieving it, must return at least to the point where it was last in hand, before continuing in the race. Provided these procedures are adopted where applicable and no other runner is impeded, dropping the baton shall not result in disqualification. Otherwise, if a runner does not follow this Rule, his/her team shall be disqualified.
17. The baton shall be passed within the exchange zone. The passing of the baton commences when it is first touched by the receiving runner and is completed the moment it is in the hand of only the receiving runner. In relation to the exchange zone, it is only the position of the baton that is decisive. Passing the baton outside the exchange zone shall result in disqualification.
18. Runners, before receiving and/or after handing over the baton, should remain in their respective lanes or maintain position until the course is clear to avoid obstruction to other competitors. Rule 163.5 shall not apply to these athletes. Should any runner willfully impede a member of another team by running out of position or lane at the finish of the leg, the team of the impeding runner shall be disqualified.
19. Assistance by pushing or by any other method shall result in disqualification.
20. In all relay races, not more than six (6) athletes may be entered for each team. Any four athletes from among those entered for the competition, whether for the relay or any other event, may be used in the composition of the relay team for any round. However, once a relay team has started in a competition, only two additional athletes may be used as substitutes in the composition of the team. The composition of the relay team and the order of running shall be officially declared no later than one hour before the published first call time for the first heat of each round of the competition. Further alterations may be made only on medical grounds (verified by a medical officer appointed by the Games Committee) and only until the final call for the particular heat in which the team is competing. Each member of a relay team may run one leg only. If a team does not follow this Rule, it shall be disqualified.

**NOTE:** *For Youth Athletics exceptions, see Rule 302.3.*

21. In the case of a handicap relay race, the runner on the first leg is allowed the total handicap allowed each team. While the order of running may be changed as between the second, third, and fourth members of the team, there may be no change in the first runner who has been allowed the team's handicap. In all handicap medley races, the longest distance must be run first.
22. Unless otherwise herein permitted for international competition, or as stated upon the entry blank issued for an athletic meet other than for a National, Regional or Association Championship of USATF, all members of each relay team must be duly accredited representatives of a single club, school, college, or athletic organization.  
**NOTE:** *For Masters exception, see Rule 332.2(g).*
23. For Championships held on more than a single day, heats shall be held for relay races, if necessary. For Championships held on a single day, relays may be conducted in sections.
24. All members of the relay team must be identifiable as team members. Team identification shall be clearly visible and shall distinguish one team from another. Where this is not accomplished by the meet's issuing items such as letters or distinguishing numbers, team members shall wear an identifying article, such as an identical singlet or shirt.  
**NOTE:** *For Youth Athletics exception, see Rule 302.3(d).*

**SECTION III  
FIELD EVENTS**

**RULE 180  
GENERAL RULES**

1. The Referee shall have the power to change the time or location of the competition in any field event after it has started only if extreme conditions warrant it. Whenever it is feasible, such a change shall be made only after a round in progress has been completed.

**NOTE:** *The fact that the wind direction has changed is never a justification for changing the time, or reversing the direction of the runway, or changing the direction of throwing, after the event has started.*

2. In all scratch events in the Pole Vault and High Jump, the order of trials shall be determined by lot by the Games Committee. Each competitor shall have one attempt in the order drawn, and then those who have failed, if any, shall have a second trial in their regular order, and those who have failed a second time, if any, shall have a third trial in their regular order (for further details see Rule 181).
3. The order of competition shall be determined by lot by the Games Committee.
4. In all field events other than the High Jump and Pole Vault:
  - (a) No competitor shall have more than one trial recorded in any one round of the competition.
  - (b) When there are more than eight competitors, each competitor shall be allowed three trials. The eight competitors with the best performances (or nine if nine lanes are used around the track) shall be allowed three additional trials. Ties for the final qualifying position for three additional trials shall be broken by applying Rule 180.15.
  - (c) When there are eight or fewer competitors (or nine if nine lanes are used around the track), all shall be allowed six trials. Athletes failing to achieve a valid trial during the first three rounds shall compete in subsequent rounds before those with valid trials, and in the same relative order according to the original draw, excepting paragraph (f).
  - (d) In non-championship competition, in the discretion of the Games Committee, the number of trials may be reduced so that each competitor is allowed four trials. The Entry Material shall include the procedure for the competing order of the last round.
  - (e) In the competition proper, in a Championship competition, if there are resident and/or non-resident aliens among the leading competitors after the completion of the preliminaries, American citizens in order of placement equal to the number of full lanes around the track, but not to exceed nine (9) shall advance to the finals for three (3) additional attempts.
  - (f) In all competitions, the order of competition for the final three trials shall be in reverse order of the best performance in the first three trials. When the competing order is to be changed and there is a tie for any position, those tying shall compete in the same relative order according to the original draw. If a competitor

is permitted by the Referee to continue in a competition under protest in accordance with Rule 146.6(b), such competitor shall compete in subsequent rounds before all others continuing in the competition and if more than one, then in the same relative order according to the original draw.

- (g) All competitors shall take their first trials in order; then all shall take their second trials in like order, etc.

**NOTE:** *For Youth Athletics exception, see Rule 302.5(p).*

- (h) All fair attempts in horizontal jumps and throws competitions should be measured immediately after each attempt.

5. Trials shall be recorded as follows:

- (a) Except in High Jump and Pole Vault, a valid trial shall be indicated by the measurement taken. In High Jump and Pole Vault, it shall be indicated by the symbol 'O';
- (b) A failure shall be indicated by the symbol 'X';
- (c) If the athlete forgoes a trial (a pass) it shall be indicated by the symbol '-'.

6. If the Games Committee deems it necessary, a separate qualifying competition may precede the competition proper to determine which of the athletes entered in the event shall compete in the competition proper.

- (a) In Championship competition, when sixteen (16) or more competitors entered report prior to the qualifying competition, qualifying rounds shall be held.
- (b) Twelve (12) competitors and ties that remain after applying Rules 180.16, 181.9(a), and 181.9(b) shall advance to the competition proper. In the High Jump and Pole Vault, the competitors who have not withdrawn or been eliminated after three consecutive failures shall continue to compete until the end of the last trial at the height set as the qualifying standard by the Games Committee, unless the number advancing to the final, as determined by this Rule, has been reached. If, after jumping concludes at any height at or below the qualifying standard, there remain fewer than 12 athletes in competition, then additional qualifiers shall be added by applying Rules 181.9(a) and (b). When competition is held in two simultaneous groups, it is recommended that the bar be raised to each height at the same time for each group.
- (c) In all field events except the High Jump and Pole Vault, three (3) attempts shall be permitted each competitor to make the qualifying standard established by the Games Committee.
- (d) A competitor who has achieved the qualifying standard shall not be allowed to continue in the qualifying competition.
- (e) Where there are enough competitors to warrant it, it is recommended that the qualifying competition be divided into two or more groups at random. Unless there are facilities for the groups to compete at the same time under similar conditions, each group shall commence its practice trials immediately after the previous group has finished.
- (f) Performances made in the qualifying competition shall not be considered part of the competition proper or count in deciding the final standing in the event.

- (g) In a qualifying competition, the competitors shall compete in the order drawn by lot. At the end of the qualifying competition, the order for competing in the competition proper shall be determined by a fresh drawing by lot.
- 7. When competition in a field event is conducted in flights, the Games Committee may determine whether there should be a practice period between flights, and/or the length of the period or the number of practice trials.
- 8. When there are more than 15 competitors in a field event and the time available for the meet makes the holding of a qualifying competition impractical, the following procedure may be used:
  - (a) In throwing and horizontal jumping events, the first three rounds may be conducted in flights.
  - (b) In the vertical jumping events, for large fields, the Games Committee shall select one of the following options:
    - i. Utilize a qualifying competition according to Rules 180.6(a) and 180.6(b)
    - ii. Utilize two flights. The overall placing will be determined by combining the results of both flights. Ties for first place shall not be broken
    - iii. Rotating flights may be used until there are 12 or fewer competitors remaining in competition after the conclusion of jumping at any height. In rotating flights, four or five competitors, as determined by the Games Committee, constitute a flight. As the competitor clears the bar, passes a turn or is eliminated, the next competitor in order is moved up so that the number of competitors in the active flight remains approximately constant.

Under all other circumstances, preliminary trials or finals shall not be conducted in flights in the competition proper.

**NOTE 1:** *For Youth Athletics exceptions, see Rule 302.5(b).*

**NOTE 2:** *For Masters exception, see Rule 332.3(a).*

- 9. (a) Except as provided in subparagraphs (b) and (c), if a competitor misses a turn in a field event for any reason, (e.g., arriving late, unexcused absence, etc.) that competitor shall not be permitted to have practice trials using the competition area (see Rule 180.14(c)) or take the trial or trials so missed, but may be permitted to take his/her remaining trials if he/she was entered in the event before it began. If a competitor by his or her own decision makes a trial in an order different from that previously determined, the competitor shall be warned (or disqualified in case of a second infringement) according to Rule 125.8, but the result of the trial (valid or failure) will stand in the case of a warning (first infringement).
- (b) In the High Jump and Pole Vault, the Chief Field Judge of the event shall permit a tardy declared contestant to start at the height of the bar at the time of his or her arrival. Where there is no formal declaration procedure, anyone entered shall be accepted. The bar shall not be lowered to permit an athlete to make up jumps at earlier heights.
- (c) If a competitor is entered in both a track and a field event, or in more than one field event taking place simultaneously, the appropriate Referee or Chief Field

Judge may, for one round at a time, or for each trial in High Jump and Pole Vault, allow the competitor to take a trial out of the regular order. If the athlete subsequently is not present for any trial, it shall be deemed that the athlete is passing once the period allowed for the trial has elapsed.

**NOTE 1:** *This subsection applies to one attempt at a time within any of the six rounds of competition. It does not permit an athlete to take a given attempt after the next round (or next trial in the vertical jumps) has begun.*

**NOTE 2:** *For comparable provisions applicable to Youth Athletics competition, see Rule 302.5(q).*

- (d) i. A competitor in a field event who unreasonably delays making a trial is liable to have the trial disallowed, and recorded as a foul.
- ii. It is a matter for the Referee to decide, having regard to all the circumstances, what is an unreasonable delay. The times in the following chart should not normally be exceeded:

**TIME IN MINUTES FOR INITIATING A FIELD EVENT TRIAL**

# of Athletes Competing at the Start of the Round	Individual Event			Combined Event		
	HJ	PV	Other	HJ	PV	Other
More than 3	1	1	1	1	1	1
2 or 3	1.5	2	1	1.5	2	1
1	3	5	-	2	3	-
Consecutive Trials	2	3	2	2	3	2

- iii. In the High Jump and Pole Vault, any change in the time period allowed for a trial shall not be applied until the bar is raised to a new height, except when time specified for consecutive trials shall be applied whenever any athlete has two or more consecutive trials. The time allowed shall be the greater if more than one situation is applicable. For the first attempt of any competitor upon entering the competition, the time allowed for such attempt shall be one minute. The number of competitors remaining in the competition includes those who could be involved in a jump-off for first place.
- iv. A clock that shows the remaining time allowed should be visible to the competitor. In addition, an official shall raise overhead and keep raised a yellow flag, or another suitable indicator, for the final 15 seconds remaining of the time allowed. When the time expires, the yellow flag shall be lowered. In addition to the use of flags and/or a clock, a verbal indication of time remaining is acceptable.
- v. The official responsible for the event shall indicate by verbal and visual signal to the competitor that the trial is to begin, and the period allowed for that trial shall commence from that moment. If the competitor confirms his or her pass, or then passes, the official shall not require that the time for the next competitor commence until the time period for the passing competitor has elapsed. In the Pole Vault, the trial and the time allowed for it shall commence when the uprights have been adjusted to previous wishes of the competitor (see Rule 183.1(b)), at which time the official responsible for the event shall so indicate to the competitor. If the competitor wishes to make further adjustments of the uprights, it should be done during the applicable time limit.

- vi. When the clock or the time set forth above is started, the time should not be restarted except in cases where the Chief Official of the event judges that there is good cause to do so. During that time, an athlete may not pass a height in the High Jump or Pole Vault or an attempt or trial in any other event without being charged with a trial unless otherwise provided by the Chief Official of that event.
  - vii. If the time allowed lapses once the competitor has started a trial, that trial should be allowed.  
**NOTE:** *Rule 180.9 applies to all field events, including those contested in combined events.*
10. The completion of valid trial shall be once the Chief Judge has determined that:
    - (a) For vertical jumps there is no failure according to Rules 182.3, 183.5 or 183.6,
    - (b) The competitor leaves the landing area in the horizontal jumps according to Rule 185.4, or
    - (c) The competitor leaves the circle or runway in the throwing events according to Rule 187.5 or Rule 193.1(e).
  11. In all handicap events, the competitor having the greatest allowance shall make the first trials, and so on, in regular order, up to the competitor at scratch or with least allowance, who shall have the last trial.
  12. The Games Committee should place a wind sock near the take-off in all jumping events and near the discus and javelin, to enable competitors to determine the approximate direction and strength of the wind.
  13. In all throwing events, no flags or markers will be placed in the landing sector.
  14. (a) Where possible, a practice area and period should be provided other than at the site of competition. Where no outside practice area is provided, the Games Committee shall establish the length of time permitted for practice throws. These should be made in order of the draw, and competitors should be called by name under the supervision of the judges.
    - (b) A competitor may take no more than two practice trials or throws for each turn in line at the competition area.
    - (c) Once a competition has begun, competitors are not permitted to use implements for practice purposes or to use the throwing circles, runways, or area within the sectors for practice trials, with or without implements. See Rule 180.7, which authorizes practice when an event is conducted in flights. If an event is delayed for an hour or more due to circumstances that fall outside the normal course of competition, all competitors shall be allowed a practice period, the length of which shall be determined by the Referee.

**NOTE:** *For Youth Athletics exceptions to subparagraph (c), see Rule 302.5(p). For Masters Track and Field see Rule 332.3(c).*

## Ties

15. In horizontal field events where the result is determined by distance, the second-best performance of the competitors having the same best distance shall determine whether there has been a tie. Then, if necessary, the third best, and so on. After applying this procedure, in the case of a tie for any place, including first place, the tie shall remain. For vertical jumps, see Rule 181.9.
16. Each competitor shall be credited with the best of his/her attempts, including in the case of the High Jump and the Pole Vault those achieved in deciding a tie for first place. See Rule 262.7 in regard to records.

## Runways For Jumping And Throwing Events

17. In the jumping events, the length of the run is unlimited. The minimum length of runways is 40m for the Long Jump, Triple Jump and Pole Vault. The minimum length is measured from the relevant take-off line or from the 'zero' line. For the High Jump, the apron is a 15m semicircle surrounding the standards. On athletic fields used for Championship competitions, the minimum length suggested for runways is 20m for the High Jump apron and 45m for the Long Jump, Triple Jump, and Pole Vault runways. The runway should have a width of 1.22m  $\pm$ 0.01m (4 ft.). The runway should be bordered by white lines 5cm in width (except in the High Jump). In addition, meet management may mark the entire runway outside its edge to indicate the distance from the take-off board or the top of the back of the stop board.

**NOTE:** *Suggested methods of marking are as follows:*

*At the take off area: mark lines 2.5cm wide and 30cm long from 1.5m to 4.5m in 15cm intervals from the top of the back of the stop board. Stenciled numbers may be added to show the distance from the take-off board or top of the back of the stop board.*

*Along the runway: mark lines 2.5cm wide and 15cm long from 6.0m from the back of the top of the stop board to the end of the runway in one meter intervals. Stenciled numbers may be added to show the distance from the take off board or top of the back of the stop board.*

18. In the Javelin Throw, the length of the runway shall be not less than 30m. For Championships, the minimum length shall be 33.5m. Where feasible, the minimum length should be 36.5m. The runway shall be marked by two parallel lines 5cm wide and 4m apart.
19. (a) The maximum allowance for lateral inclination of runways for jumping events and the Javelin Throw shall not exceed 1:100.  
(b) The maximum allowance for overall downward inclination in the last 40m of the runway for jumping events and in the last 20m of the runway for the Javelin Throw shall not exceed 1:1000 in the running direction.  
(c) In the High Jump, the maximum overall inclination of the runway in the last 15m shall not exceed 1:250 along any radius in the direction of the center of the semicircular area located midway between the uprights and having the minimum distance specified in Rule 180.17. The landing area should be placed so the competitor's approach is up the inclination.

## Markers

20. No marks shall be placed on a runway, but a competitor may place one or two markers, supplied or approved by the Games Committee, alongside the runway to



assist in the run-up or take-off. If such markers are not supplied, a competitor may use adhesive tape but not chalk or similar substance or anything that leaves indelible marks. For the High Jump, markers may be placed in the runway apron.

**NOTE 1:** *For method of measurement, see Rule 148. For rules relating to records in the field events, see Rule 264. For specifications of implements, circle, runways, throwing cage, sectors, and landing areas, see Rules 180-195; for specifications of Long Jump/Triple Jump take-off boards, see Rule 185.5 and 185.6; for specifications of High Jump/Pole Vault apparatus, see Rule 181.10-19.*

**NOTE 2:** *For rules applicable to runways for Indoor competitions, see Rules 218-221.*

**NOTE 3:** *For Youth Athletics exception, see Rule 302.5(l).*

21. For throws made from a circle, a competitor may use one marker only. This marker may be placed only on the ground in the area immediately behind or adjacent to the circle. The marker must be temporary, in position only for the duration of each competitor's own trial, and shall not impair the view of the judges. No personal markers may be placed in or beside the landing area.
22. A distinctive flag or marker may also be provided to mark the existing World Record and, when appropriate, the existing Area, National or Meet Record. The marker shall be placed along, and outside the landing area / sector.

## **RULE 181 HIGH JUMP AND POLE VAULT**

**The following subdivisions shall apply to both the High Jump and the Pole Vault:**

1. The initial height of the crossbar and the subsequent heights to which the crossbar shall be raised shall be determined by the Games Committee, and shall be announced to the competitors before the commencement of the competition. In jump-offs to decide ties for first place, the bar will be raised and lowered in accordance with Rule 181.9(d).

**NOTE:** *For Youth Athletics exception, see Rule 302.5(p).*

2. All measurements must be made in accordance with Rule 148, perpendicularly from the ground to the lowest part of the upper side of the bar. Any measurement of a new height shall be made before competitors attempt such height. A new measurement shall also be made when a new crossbar is substituted for a broken one. In all cases of attempts at record heights, the judges should check the measurement of the bar when the bar has been placed at the record height and they must re-check the height before each subsequent record attempt if the bar has been displaced for any reason or touched since last measured.

**NOTE:** *Judges should ensure, before commencing competition, that the underside and front of the crossbar are distinguishable, and that the bar is always replaced with the same surface uppermost and the same surface to the front.*

3. No marks shall be placed in any pit or landing area.
4. In scratch competitions, the competitors shall compete in the order drawn by lot, except as permitted under Rule 180.9 (a), (b) and (c). In handicap competitions, the competitor with the greatest allowance shall make the first trial, and so on. Each competitor shall have the opportunity to make an attempt, or to forego such opportunity in the order drawn; those who have failed shall have a second opportunity

in the same order and those who have failed a second time shall have a third opportunity in the same order.

5. In non-championship competition, in the discretion of the Games Committee, vertical jump competitions may be held in a different format to that provided under this rule, including limiting the total number of heights or trials which a competitor may attempt.
6. A competitor shall have the discretion to commence jumping or vaulting at the starting height or at any subsequent height. A competitor who forgoes a trial at a height thereby forfeits the right to jump again at that height. Such competitor may, however, jump at that height in a jump-off to break a tie for first place. Three consecutive failures, regardless of the height at which such failures occur, disqualifies the competitor from further competition except in the case of a jump-off to break a tie for first place. If a competitor is not present when all other competitors who are present have completed the competition, the Referee shall deem that such absent competitor has forfeited the right to continue in the competition once the period for one further trial has elapsed.

**NOTE:** *The effect of this Rule is that a competitor may forego second or third attempts at a particular height (after failing the first or second time) and still jump or vault at a higher height.*

7. Unless there is only one competitor remaining who has won the competition:
  - (a) The bar shall never be raised by less than 2cm in the High Jump and 5cm in the Pole Vault after each round; and
  - (b) The increment of the raising of the bar shall never increase.
  - (c) A competitor who has won the competition is entitled to continue jumping or vaulting until he/she has forfeited the right to compete further. Notwithstanding the provisions of this Rule, the heights to which the bar is to be raised shall be decided after consulting the competitor, except in combined events competition.
8. When it is clear that the bar has been displaced by a force not associated with the competitor (e.g., a gust of wind)
  - (a) If such displacement occurs after the competitor has cleared the bar without touching it, the attempt shall be considered successful, and
  - (b) If such displacement occurs under any other circumstances, a new attempt will be awarded.

**NOTE:** *It is a foul if the crossbar is displaced by the pole hitting the crossbar unless in the judge's opinion, an effort was made by the competitor to push the pole away from the crossbar when the athlete released the pole.*

#### **Placing - High Jump and Pole Vault:**

9. If two or more competitors have the same best heights, the procedure to decide places is the following:
  - (a) The competitor with the lowest number of jumps at the height which was their best height in the competition shall be awarded the higher place.
  - (b) If applying (a) will not decide, the competitor with the lowest total of failures throughout the competition up to and including the height last cleared shall be awarded the higher place.

- (c) If applying (b) will not decide, the competitors involved shall be awarded the same place unless it concerns first place.
- (d) If it concerns first place, the competitors tying shall jump-off, described as follows, unless otherwise decided either in advance according to the Technical Regulations applying to the competition, or before the start of the event by the appropriate Referee. If no jump-off is held, including where the relevant competitors at any stage decide not to jump further, the tie for first place shall stand. This rule shall not apply to the Combined Events.
- i. Tying competitors must make a trial at every height until a decision is reached.
  - ii. Each competitor has one trial at each height.
  - iii. The jump-off shall start at the next height, determined in accordance with Rule 181.1, after the height last cleared by the tying competitors.
  - iv. If no decision is reached, the bar shall be lowered (if all have failed) or raised (if two or more have cleared) by 2cm in the High Jump and 5cm in the pole vault.
  - v. A competitor who does not jump at any height automatically forfeits any claim to the higher place. If only one other competitor remains, that competitor is declared the winner regardless of whether that height is attempted.

**NOTE:** *The following illustrates the application of subparagraph 9d, resolving a tie for first place in the High Jump or Pole Vault.*

**Heights announced by the Chief Judge at the beginning of the competition:  
1.75m, 1.80m, 1.83m, 1.86m, 1.88m, 1.90m,.....**

Com- petitor	Height and Performance (m)							Total Fails	Jump Off (m)			Final Place
	1.75	1.80	1.83	1.86	1.88	1.90	1.92		1.88	1.86	1.88	
A	0	X0	0	X0	--	XX-	X	2	X	0	X	2
B	X0	0	--	X0	--	--	XXX	2	X	0	0	1
C	--	X0	X0	X0	--	XXX		3				3

0 = cleared x = failed -- = did not jump

All jumpers, A, B, and C, cleared 1.86m, and all three failed the next height that they attempted (C going out at 1.90, A and B at 1.92m). Since C had more total failures than A and B up to and including the height last cleared, C is awarded third place (see subparagraph 8(b)). Since A and B have the same number of failures, they must jump off to determine first place. The next height in the announced progression, after the tying height of 1.86m, is 1.88m. 1.88m, therefore, is the height at which the jump-off must start. The tie for first was broken in the jump-off when B cleared 1.88m, and A failed that height. B, therefore, was awarded first place and A second place.

- (e) If it concerns any other place, the competitors shall be awarded the same place in the competition.

## High Jump And Pole Vault Apparatus

10. **Uprights** - Any style or kind of uprights or posts may be used provided they are rigid. In the High Jump, the uprights should be sufficiently tall to exceed each height to which the bar is raised by at least 10cm. For the Pole Vault, cantilevered uprights shall be used. For the Pole Vault, it is required that the metallic structure of the base of the uprights be covered with padding of appropriate material in order to provide protection to an athlete who may land on it.

**NOTE:** *The uprights and landing area of the High Jump should be positioned such that there is clearance of at least 10cm between them and the landing area when in use, to avoid accidental displacement of the crossbar by the movement of the landing area causing contact with the uprights.*

11. **Crossbar** - The crossbar shall be of fiberglass or other suitable material, circular in cross-section. The diameter of the circular bar shall be at 3cm ( $\pm$  1mm).

The crossbar shall consist of three parts: the circular bar and two end pieces, each 30-35mm wide and 15-20cm long, for the purpose of resting on the supports of the uprights. These end pieces shall be hard and smooth. They shall be circular or semicircular with one clearly defined flat surface on which the bar rests on the crossbar supports (see Figure 7). These flat surfaces may not be higher than the center of the vertical cross-section of the crossbar. The crossbar shall have no bias and, when in place, shall sag a maximum of 2cm for the high jump and 3cm for the pole vault.

**SUGGESTED CONTROL:** *Hang a 3kg weight in the middle of the crossbar when in position. It may sag a maximum of 7cm (High Jump) or 11cm (Pole Vault) with the end pieces and supports remaining in complete contact*

12. **Crossbar in the High Jump** - The crossbar shall be not less than 3.98m or more than 4.02m in length. The distance between the uprights shall not be less than 4.00m or more than 4.04m. The maximum weight of the crossbar shall be 2.0kg.

13. **Crossbar in the Pole Vault** - The crossbar shall not be less than 4.48m nor more than 4.52m in length. The maximum weight of the crossbar shall be 2.25kg.

14. **Indicator Lines** -

(a) **High Jump:** A white line 50mm wide shall be drawn on the ground (usually with adhesive tape or similar material). The edge of the line nearest to the take-off area is drawn along the vertical plane through the edge of the crossbar nearest to the take-off area, and extends for 3 meters on either side of the uprights.

(b) **Pole Vault:** A white line 1cm wide shall be drawn on the ground at right angles to the axis of the runway, such that the edge of the line nearer to the competitor shall coincide with the back end of the box. This line shall be prolonged as far as the outside edge of the uprights, and may also go on the surface of the landing bed. This will facilitate the determination of the zero point and the checking of the uprights.

15. **Supports for Crossbar in the High Jump** - The supports for the crossbar shall be flat and rectangular, 4cm wide and 6cm long. They shall be firmly fixed to the uprights and immovable during the jump, and shall each face the opposite upright. The ends of the crossbar shall rest on them in such a manner that if the crossbar is touched by a competitor, it will easily fall to the ground, either forwards or backwards. The surface

of the supports shall be smooth. The supports shall be the same height above the takeoff area immediately below each end of the crossbar.

16. **End Space** - There shall be a space of at least 1cm between the ends of the crossbar and the uprights for the high jump.
17. **Support for Crossbar in Pole Vault** - The crossbar shall rest on pegs so that if it is touched by the competitor or the pole, it will fall easily to the ground in the direction of the landing area. The pegs shall be without notches or indentations of any kind, of uniform thickness throughout and not more than 13mm in diameter. They must not extend more than 55mm from the uprights, which should extend 35-40mm above the pegs. The distance between the pegs shall not be less than 4.30m or more than 4.37m. The pegs may not be covered with rubber or with any other material that has the effect of increasing friction.  
**NOTE:** *To facilitate the use of a landing area 6m wide (see paragraph 19, below), the pegs supporting the crossbar may be placed upon extension arms attached to the uprights thus allowing the uprights to be placed wider apart, without increasing the length of the crossbar.*
18. **Take-Off Box for Pole Vault** - The box shall be constructed of a suitable material sunk level with the surface of the runway, preferably with rounded upper edges. It shall measure 1m in length measured along the inside of the bottom of the box, 60cm in width at the front end and tapering to 15cm in width at the bottom of the stop board. The length of the box at runway level and the depth of the stop board are determined by the angle of 105 degrees formed between the base and the stop board. The base of the box shall slope from runway level at the front end to a vertical distance below ground level of 20cm at the point where it meets the stop board. The box should be constructed in such a manner that the sides slope outward and end next to the stop board at an angle of approximately 120 degrees to the base. The box should be painted white. If the box is constructed of wood, the bottom shall be lined with 2.5mm sheet metal for a distance of 80cm from the front of the box. Diagrams showing the construction of the pole vault box appear in Figure 5.  
**NOTE:** *For Youth Athletics provision, see Rule 302.5(k).*
19. **Landing Areas** - Where it is feasible, the landing area for the High Jump should measure not less than 6m long (parallel to the crossbar) by 4m wide; for the Pole Vault it should measure not less than 6.15m long (perpendicular to the crossbar) by 6m wide. There shall be a minimum of 5 m of landing surface behind the box. The landing area for the High Jump and Pole Vault should be composed of soft material other than sawdust or shavings of such composition and construction to provide a soft landing. A front pad, similar in material and dimensions to the landing area, may be used to cover the area surrounding the take-off box of the Pole Vault and extending between the standards. In the High Jump, the landing area should be a minimum height of .712m (28 in.); in the Pole Vault, it should be a minimum height of .813m (32 in.) above the take-off. The side of the landing area nearest to the box shall be placed 10-15cm from the box and shall slope away from the box at an angle of approximately 30 degrees. The exposed area to the sides and back of the vault box shall have suitable padding.

## **RULE 182 HIGH JUMP**

1. The uprights or posts shall not be moved during the competition unless the Referee considers that the take-off or landing pit has become unsuitable. In such a case the change shall be made only after a round has been completed.

2. The competitor must take off from one foot.
  3. A competitor fails if:
    - (a) After the jump, the bar does not remain on the supports because of the action of the competitor while jumping, or
    - (b) The competitor touches the ground, including the landing area beyond the vertical plane through the edge of the crossbar nearest to the take-off area, either between or outside the uprights, with any part of the body, without first clearing the bar. If the jumper's foot touches beyond the plane of the uprights while completing a jump, the jump should not be ruled a failure for this reason if no advantage was thereby gained (e.g., the jumper did not use the landing area as a spring device).
    - (c) During or after the jump, the competitor deliberately steadies or replaces the bar.
- NOTE:** *For specifications of High Jump shoes, see Rule 143.3.*

### **RULE 183 POLE VAULT**

1. (a) Where the standards permit, a competitor may have the uprights or supports moved back, but they may not be moved in the direction of the running or runway, and they may not be moved more than 80cm toward the landing area, from the prolongation of the inside edge of the top of the stopboard.

**NOTE:** *For Youth Athletics exception, see Rule 302.5(1).*
- (b) Before the competition starts, each vaulter shall inform the official responsible for the event what position of the uprights or supports he or she wants to use, and this information should be recorded on the score sheet. Any competitor who wants to make any changes should immediately inform the official responsible before the uprights have been set in accordance with the initial wishes. Failure to do this must lead to the start of the time limit. See Rule 180.9(d)vi.
2. The take-off shall be from a box made of wood, metal, or other suitable rigid material. The box shall be sunk level with the runway.
3. In order to obtain a better grip, competitors are permitted to use a substance on their hands or on the pole during the competition. Gloves may be used. The use of a forearm cover to prevent injuries shall be allowed. See Rule 183.8 in regard to the use of tape on pole.
4. Competitors may use their own poles. No competitor may use any of the private poles except with the consent of the owner.
5. It shall be a failure if:
  - (a) After the vault, the bar does not remain on the pegs on which it originally rested because of the action of the competitor while vaulting; or
  - (b) The vaulter touches the ground, including the landing area beyond the vertical plane of the upper part of the stopboard, with any part of the body or with the pole without first clearing the bar; or

(c) The vaulter, after leaving the ground, places the lower hand above the upper or moves the upper hand higher on the pole; or

(d) During the vault, the vaulter steadies or replaces the bar with his/her hand(s).

**NOTE 1:** *It is not a foul if the vaulter runs outside the white lines marking the runway at any point.*

**NOTE 2:** *It is not a foul solely because the pole touches the vaulting pad, in the course of an attempt, after properly being planted in the box.*

6. After the release of the pole, no one including the athlete shall be allowed to touch the pole unless it is falling away from the bar or uprights. If it is touched, however, and the official in charge of the Pole Vault is of the opinion that, but for the intervention, the bar would have been knocked off, the vault shall be regarded as a failure.

**NOTE:** *It is not a failure if the pole passes underneath the cross bar in the event the competitor clears the bar. It is not a failure if a competitor leaves the ground for the purpose of making a vault and fails to clear the bar, provided he/she does not otherwise commit a foul.*

7. If, in making an attempt, the competitor's pole is broken, it shall not be counted as an attempt or a failure and the vaulter shall be awarded a new trial.

**NOTE:** *For specifications of Vaulting Pole, Landing Pits, Runways, and Apparatus for High Jump and Pole Vault, see Rules 181.10-19.*

8. **Pole Construction** - The pole may be of any material or combination of materials and of any length or diameter, but the basic surface must be smooth. The pole may have layers of tape at the grip end, to protect the hand, and of tape and/or any other suitable material, such as a sleeve, at the bottom end, to protect the pole. Any tape at the grip end must be uniform except for incidental overlapping and must not result in any sudden change in diameter, such as the creation of any 'ring' on the pole.

**NOTE:** *The pole may be taped in either direction.*

## **RULE 184**

### **HORIZONTAL JUMPS - GENERAL RULES**

#### **TAKE-OFF BOARD**

1. The jump or take-off should be from a board.

**NOTE:** *For Youth Athletics specifications, see Rule 302.5(d).*

2. The take-off shall be marked by a board sunk level with the runway and the surface of the landing area. The edge of the board which is nearer to the landing area shall be the take-off line. Immediately beyond the take-off line there shall be placed a plasticine indicator board for the assistance of the Judges.

3. **Construction** - The take-off board shall be rectangular, made of wood or other suitable rigid material in which the spikes of an athlete's shoe will grip and not skid and shall measure 1.22m  $\pm$ 0.01m long, 20cm ( $\pm$ 2mm) wide and not more than 10cm deep. It shall be white.

4. **Plasticine Indicator Board** - This shall consist of a rigid board, 10cm ( $\pm$ 2mm) wide and 1.22m  $\pm$  0.01m long made of wood or any other suitable material and shall be a contrasting color to the take-off board. The board shall be mounted in a recess or shelf in the runway, on the side of the take-off board nearer the landing area. The surface shall rise from the level of the take-off board to a height of 7mm ( $\pm$ 1mm). The edges shall

either slant at an angle of 45 degrees with the edge nearer to the runway covered with a plasticine layer along its length 1mm thick or shall be cut away such that the recess, when filled with plasticine shall slant at an angle of 45 degrees. Where possible, the plasticine should be of a third contrasting color. The upper part of the indicator board shall also be covered by a plasticine layer for approximately the first 10mm along its entire length. See Figures 6a and 6b. When mounted in this recess, the whole assembly shall be sufficiently rigid to accept the full force of the athlete's foot. The surface of the board beneath the plasticine shall be of a material in which the spikes of an athlete's shoe will grip and not skid. The layer of plasticine shall be smoothed off by means of a roller or suitably shaped scraper for the purposes of removing the footprints of the competitors.

**NOTE 1:** *When weather conditions dictate, particularly in very hot or wet weather, the plasticine boards should be protected from the elements before they are installed.*

**NOTE 2:** *It is helpful to have spare plasticine boards available so that competition is not delayed.*

### **LANDING AREA**

5. The landing area shall have a minimum width of 2.75m and a maximum width of 3m. It shall, if possible, be so placed that the middle of the runway, if extended, would coincide with the middle of the landing area.

**NOTE:** *When the axis of the runway is not in line with the center line of the landing area, a tape, or if necessary, two tapes, should be placed along the landing area so that the above is achieved.*

6. The landing area, to a minimum depth of 30cm, should be filled with soft damp sand, the top surface of which shall be level with the take-off board.

### **DISTANCE MEASUREMENTS**

7. The measurement of each jump shall be made immediately after the trial. The measurement of the jumps shall be made at right angles from the take-off line, or the take-off line extended, to the nearest break in the landing area made by any part of the body of the competitor or anything that was attached to the body at the time it made a mark. The measurement mark in the landing area, for each attempt, shall be preserved until removal is authorized by the Chief Judge for the event.

**NOTE:** *In order to insure correct measurement of any jump, it is essential that the surface of the sand in the landing area should be accurately controlled so as to be level with the top of the take-off board. For measurements, see Rule 148.2(b).*

8. **Wind Measurement** - See Rules 163.10 through 163.14 for wind gauge placement, operation and reading requirements.

## **RULE 185 LONG JUMP**

### **TAKE-OFF BOARD**

1. It is recommended that the distance between the take-off board and the end of the landing area shall be at least 10m.
2. The take-off board should be not less than 1m or more than 3m from the landing area.

### **COMPETITION**

3. The length of the run is unlimited. Each competitor shall be credited with the best of all his/her jumps.



4. When leaving the landing area, an athlete's first contact by foot with its border or the ground outside shall be further from the take-off line than the nearest break in the sand.  
**NOTE:** *This first contact is considered leaving.*
5. It shall be counted as a failure or foul if any competitor:
  - (a) While taking off, touches the ground beyond the take-off line with any part of his or her body, whether running up without jumping or in the act of jumping; or
  - (b) Takes off from outside either end of the board, whether beyond or before the extension of the take-off line; or
  - (c) Employs any form of somersaulting whilst running up or in the act of jumping; or
  - (d) After taking off, but before first contact with the landing area, touches the runway or the ground outside the runway or outside the landing area; or
  - (e) In the course of landing, touches the border of or the ground outside the landing area closer to the take-off line than the nearest break made in the sand; or
  - (f) Leaves the landing area in any manner other than that described in Rule 185.4; or
  - (g) If no plasticine or other marker material is being used, breaks the plane of the take-off line with the shoe/foot.
6. A competitor shall not be regarded to have failed if:
  - (a) He or she runs outside the white lines marking the runway at any point; or
  - (b) Under Rule 185.1(b) a part of his or her shoe / foot is touching the ground outside either end of the take-off board, before the take-off line; or
  - (c) If in the course of landing, he or she touches, with any part of his body, or anything attached to it at that moment, the ground outside the landing area, unless such contact contravenes Rule 185.5(d) or (e); or
  - (d) He or she walks back through the landing area after having left the landing area in the manner described in Rule 185.4; or
  - (e) Except as described in Rule 185.5(b), he takes off before reaching the board.

## **RULE 186 TRIPLE JUMP**

1. Rule 184 and Rule 185 shall apply to the Triple Jump with the following variation.

### **TAKE-OFF BOARD**

2. The distance between the take-off line for men and the far end of the landing area shall be at least 21m.
3. For major competitions, the take-off line shall not be less than 13m for men and 10m for women from the nearer end of the landing area. For any other competition, this distance shall be appropriate for the level of competition.

4. Between the take-off board and the landing area there shall, for the step and jump phases, be a take-off area of 1.22m ± 0.01m wide providing firm and uniform footing.

## COMPETITION

5. The Triple Jump shall consist of a hop, a step and a jump in that order.
6. The hop shall be made so that an athlete lands first on the same foot as that from which the athlete has taken off, the step shall land on the other foot, from which, subsequently, the jump is performed. It shall not be considered a failure if an athlete, while jumping, touches the ground with the 'sleeping' leg.  
**NOTE:** *Rule 185.5(d) does not apply to the normal landings from the hop and step phases.*

## RULE 187 THROWING EVENTS - GENERAL RULES

1. In all throwing events from a circle, the throw must commence from a stationary position within the circle. A competitor is allowed to touch the inside of the iron band or stopboard, excluding the top inside edge. However, it shall be a foul throw if, after commencing the throw and prior to its completion, the competitor:
  - (a) Does not start from a stationary position within the circle,
  - (b) Touches the top of the iron band or stopboard or painted circle, including the top inside edge of each,
  - (c) Touches with any part of the body the surface outside the circle,
  - (d) Releases the shot or the javelin other than as permitted under Rule 188.2 or Rule 193.1, or
  - (e) Leaves the circle improperly or before the implement has landed.
2. In all throwing events, a competitor who has not otherwise committed a foul may interrupt a trial once started, may lay the implement down, inside or outside the runway or circle, may leave the runway or circle before returning to the runway or to a stationary position in the circle, and begin a fresh trial. When leaving a circle, the competitor must do so from the rear half as provided in Rule 187.5.  
**NOTE:** *All moves permitted in this paragraph shall be included in the maximum time for a trial given in Rule 180.9(d).*
3. The following shall be considered assistance and are therefore not allowed:
  - (a) The taping of two or more fingers together. If taping is used on the hands and fingers, it may be continuous provided that as a result no two or more fingers are taped together in such a way that the fingers cannot move individually. The taping should be shown to the Chief Judge before the event starts.
  - (b) The use of any device of any kind, including weights attached to the body, which in any way provides assistance when making a trial.
  - (c) The use of gloves except in the Hammer and Weight Throw. In this case, the gloves shall be smooth on the back and on the front and the tips of the glove fingers, other than the thumb, shall be open.

- (d) The spraying or spreading of any substance, by an athlete, in the circle or on their shoes or the roughening of the surface of the circle.
4. The following shall not be considered assistance and are therefore allowed:
- (a) The use by an athlete, in order to obtain a better grip, of a suitable substance on his hands only or in the case of a hammer thrower or weight thrower on his or her gloves. A shot putter may use such substances on their neck.
  - (b) In the Shot Put and Discus Throw, the placement of chalk or a similar substance on the implement by an athlete. All substances used shall be easily removable using a wet cloth and shall not leave any residue.
  - (c) The use of taping on the hands and fingers that is not in contravention of Rule 187.3(a).
5. The competitor must not leave the circle until the implement has touched the landing surface. When leaving the circle, the competitor's first point of contact with the top of the iron band and/or the surface outside the circle must be completely behind the white line that is drawn outside the circle running theoretically through the center of the circle. The first contact with the top of the iron band or the ground outside the circle is considered leaving.
6. For a throw to be valid in the Shot Put, Hammer Throw, Weight Throw, and Discus Throw, the implement, excluding the handle and wire, and connection, as appropriate, must, in contacting the ground when it first lands, be completely within the inner edges of the lines of the sector (see Rule 187.22) touching no other object except as provided in the note below. For the javelin see Rule 187.24 and 193.1(c).  
**NOTE:** *A throw may be valid even if any part of the implement has touched the cage provided no other rule is infringed.*
7. The measurement of each throw shall be made immediately after the throw. The measurement mark in the landing area, for all attempts, shall be preserved until removal is authorized by the official responsible for the event.
- (a) In the Discus, Shot Put, Weight Throw and Hammer Throw, the measurement of each throw shall be made from the nearest mark made by the fall of the discus, shot, weight, or head of the hammer to the inside of the circumference of the circle along a line from the mark to the center of the circle.
  - (b) In the Javelin Throw, the measurement of each throw shall be made from where the metal head first struck the ground to the inside edge of the arc along a line from the point of the fall to the center of the circle of which the arc is a part.
- NOTE:** *For Youth Athletics exception, see Rule 302.5(h).*
8. Implements must be carried back to the runway or circle and never thrown back.
9. All Hammer, Discus, and Weight Throws shall be from an enclosure or cage to insure the safety of spectators, officials, and competitors. See Rule 190.  
**NOTE:** *For specifications of official implements, see Rules 188-195. For specifications of circle, see Rule 187.18-187.20.*
10. In all throwing event competitions, Championship and non-championship, implements should be provided by the Games Committee. However, implements that comply with required specifications and belong to individuals may also be accepted by the Games

Committee as implements provided by it. And as so accepted, they shall lose their identity as privately owned implements for the duration of the competition and no modification may be made to these implements during the competition. No additional implements may be taken to the area for competition or practice.

**NOTE:** *For Youth Athletics exception, see Rule 302.5(g). For Masters exceptions, see Rule 332.3(f).*

11. If an implement does not comply with required specifications, or if it has not been properly certified for use when such certification is required, it should be impounded by the certifying official or the Chief Judge of the event until the end of the competition of the field event in which it was intended to be used.
12. If, as a result of material damage, an implement becomes a safety hazard or if it ceases to comply with specifications (e.g., a loose point or a cut hammer wire), it should be impounded. If it is practicable to do so, it should be repaired and re-certified so that it may be used in the competition. If the implement cannot readily be repaired, it shall remain impounded until the conclusion of the competition, except that it may be returned to a competitor who has concluded throwing.
13. A competitor in a field event shall be disqualified if he/she uses an implement or equipment that has been illegally altered after having been officially inspected or if he/she uses an unapproved or illegal implement or equipment. All records, performances, or points scored with the use of such implement or equipment shall be null and void.

**NOTE:** *The Games Committee shall establish a reasonable schedule for checking implements to ensure a fair and timely competition. When personal implements are being accepted, it is recommended that an athlete not submit more than three implements per event for certification.*
14. In the case of an American or World Record, the implement should be impounded and not used until it has been re-certified for the record.
15. **Landing Area** - The landing area for outdoor throwing events shall consist of suitable material with an even surface soft enough to ensure that the place of the initial imprint of the implement can be clearly established by the judges. These areas shall be on natural surfaces, which shall not be laid down on concrete, asphalt, wood or other hard surfaces that would have the tendency to decrease the landing surface's absorption of the kinetic energy of the implement.
16. **Inclination of the Sector** - The area within the sector on which the implement lands shall be on approximately the same plane as that of the circle or runway with a maximum downward allowance of 1:1000 in the throwing direction.
17. **Sector Flags**
  - (a) **Construction** - Sector flags should be entirely of metal.
  - (b) **Measurements** - The flags should be rectangular in shape, measuring about 20x40cm with the standard 8mm in diameter and not less than 60cm in height above the ground.

#### **FOR THROWS FROM A CIRCLE**

18. **Construction** - The rim of the circle shall be made of a band of iron, steel or other suitable material, painted white, the top of which shall be sunk flush with the ground

outside. The ground surrounding the circle may be concrete, synthetic, asphalt, wood or any other suitable material. The interior of the circle may be constructed of concrete, asphalt or some other firm but not slippery material. The surface of the interior shall be level and 2cm ( $\pm$  6mm) lower than the upper edge of the rim of the circle. In the Shot Put, a portable circle meeting these specifications, including wood, is permissible.

19. **Circle Marking** - A line 5cm wide shall be drawn theoretically through the center of the circle, extended no less than 75cm on each side, to designate the front and rear halves of the circle. The extensions outside the circle should be marked on the ground, but the line should not be marked in the circle. See diagrams, Figure 8.
20. **Dimensions** - The metal circle shall be 6mm thick and 76mm high sunk flush with the ground outside. The inside diameter of the circle shall measure 2.135m (7 ft.) for the Shot Put, Weight Throws, and Hammer Throw, and 2.50m for the Discus Throw.
21. **Shot Put Stop Board** - The stop board shall be made of wood or other suitable material in the shape of an arc so that the inner surface aligns with the inner edge of the rim of the circle and is perpendicular to the surface of the circle. The stop board shall be centered midway between the sector lines, and be so made that it can be firmly fixed to the ground. The board shall measure not less than 11.2cm wide, and have a chord between the ends of the board of 1.15m to 1.21m ( $\pm$  0.01m) in length. The board shall be 10cm ( $\pm$  2mm) high in relation to the level of the inside of the circle. The board shall be painted white. A diagram showing the layout of the Shot circle appears in Figure 9.
22. **Sector** - The sector within which all throws from a circle must fall shall be clearly marked on the ground with lines 5cm wide, the inner edges of which shall form the sector boundary. These sector lines are radii from the center of the circle. The outer ends of the radii should be marked with flags. Sectors shall be 34.92 degrees ( $\pm$ 0.1 degree).

**NOTE 1:** *Flags or continuous barriers should be erected parallel to and at least 3m outside of the sector lines for their full length.*

**NOTE 2:** *For description of the landing sector for indoor competitions and exception with limited space indoors, see Rule 221.*

As an aid in marking and checking the 34.92-degree sector lines, the table below may be used. For greater accuracy, use the longest distance the field will allow. In this table, 'A' indicates the distance from the center of the circle to a point on each of the two sector lines and 'B' indicates the distance between those two points.

A in meters	B in meters
5.00	3.00
10.00	6.00
15.00	9.00
20.00	12.00
25.00	15.00
50.00	30.00
75.00	45.00
100.00	60.00

**FOR THE JAVELIN THROW**

- 23. **Arc** - All javelin throws shall be made from an arc of a circle drawn with a radius of 8m at the end of a runway 4m wide. This arc shall consist of a painted stripe or made of wood or other similar material, but not metal, 7cm in width. It shall be white and sunk flush with the ground. Lines shall be drawn from the extremities of the arc at right angles to the parallel lines marking the runway. These lines should be 75cm in length, from the inner edge of the runway line, and 7cm in width.
- 24. **Sector** - The landing sector shall be marked with white lines 5cm wide such that the inner edges of the lines, if extended, would pass through the two intersections of the inner edges of the arc and the parallel lines marking the runway and intersect at the center of the circle (A), of which the arc is part. See Figure 11. The end of the sectors may be marked by flags.

**NOTE:** *Flags or continuous barriers should be erected parallel to and at least 3m outside of the sector lines for their full length*

The sector for the javelin can be laid out by making the distance between two points along the sector lines which are equidistant from the center of the arc described in Rule 187.23, one-half the distance from the center of the arc to the point on the sector line. In the table below, 'A' indicates the distance from the center of the arc to a point on each of the two sector lines and 'B' indicates the distance between those two points.

A in meters	B in meters
8.00	4.00
20.00	10.00
40.00	20.00
50.00	25.00
60.00	30.00
75.00	37.50
100.00	50.00

**RULE 188  
PUTTING THE SHOT**

- 1. The put shall be made from a circle of which the inside diameter shall measure 2.135m (7 ft).
- 2. The shot shall be put from the shoulder with one hand only. At the time the competitor takes a stance in the ring to commence a put, the shot shall touch or be in close proximity to the neck or chin, and the hand shall not be dropped below this position during the act of putting. The shot must not at any time be brought behind the line of the shoulders. Cart wheeling techniques are not permitted.

**NOTE:** *For measurement, see Rule 148.2(b)i, and 187.9(a). For details of competition, see Rules 180 and 187. For specifications of circle, stopboard, and sectors, see Rules 187.18-187.22.*

- 3. **Construction** - The shot shall be a solid sphere or iron, brass, or any metal not softer than brass, or a shell of such metal filled with lead or other material. It must be spherical in shape, its surface shall have no roughness, and the finish shall be smooth. To be smooth, the surface average height must be less than 1.6µm, i.e., a roughness number N7 or less.

**NOTE 1:** *For exceptions for Indoor shot construction see Rule 221.5*

**NOTE 2:** *Indentations due to a weight stamp on cast shots or engraving of weight or size should not normally be considered reason for the disqualification of a shot for roughness or hand hold.*

4. The shot shall conform to the following specifications:

<b>Name</b>	<b>16 lb</b>	<b>6 kg</b>	<b>12 lb</b>	<b>5 kg</b>	<b>4 kg</b>	<b>3 kg</b>	<b>6 lb</b>	<b>2 kg</b>
Nominal Wt. kg	7.26	6.00	5.45	5.00	4.00	3.00	2.72	2.00
Record Wt. Min. kg	7.260	6.000	5.443	5.000	4.000	3.000	2.720	2.000
Diameter min. mm	110	105	98.4	100	95	85	-	80
Diameter max. mm	130	125*	117.5	120*	110*	110*	-	90

*\* The maximum diameter for all outdoor shots used in Masters competition shall be 130mm for men and 110mm for the women.*

## RULE 189 THROWING THE DISCUS

1. The discus shall be thrown from a circle of which the inside diameter shall measure 2.50m.

**NOTE:** *For details of competition, see Rules 180 and 187. For specifications of circle and sectors see Rules 187.18-20 and Rule 187.22. For throwing cage specification see Rule 190. For measurement, see Rules 148.2(b)i, 187.7(a).*

### 2. Construction

- (a) The body of the discus may be solid or hollow and shall be made of wood or other suitable material, with a metal rim, the edge of which shall be rounded into a true circle. There may be metal plates set flush into the center of the sides. In the alternative, the discus may be made without metal plates, provided that the measurements and total weight of the implement correspond to the specifications.
- (b) Each side of the discus shall be identical and shall be made without indentations, projecting, or sharp edges. The sides shall taper in a straight line from the beginning of the curve of the rim to a circle a distance of 25mm, minimum, and 28.5mm, maximum, from the center of the discus.
- (c) The discus, including the surface of the rim, shall have no roughness and the finish shall be smooth and uniform throughout. The sides and rim of the discus shall be intact, showing no signs of significant cracks, gouges or breakage that would reduce the integrity of the side or discus as a whole or provide the athlete with an improved grip.

3. The discus shall conform to the following specifications: (See Figure 10)

<b>Name</b>	<b>2kg</b>	<b>1.75kg</b>	<b>1.6kg</b>	<b>1.5kg</b>	<b>1 kg</b>	<b>0.75kg</b>
Nominal Wt. kg	2.0	1.75	1.6	1.5	1.0	0.75
Minimum Record Wt. kg	2.000	1.750	1.600	1.500	1.000	0.750
Outside Diameter min. mm	219	210	209	200	180	166
Outside Diameter max. mm	221	212	211	202	182	182
Diameter of Flat Area min. mm	50	50	50	50	50	50
Diameter of Flat Area max. mm	57	57	57	57	57	57
Thickness at center min. mm	44	41	40	38	37	33
Thickness at center max. mm	46	43	42	40	39	37
Thickness of Rim at 6 mm from edge, min. mm	12	12	12	12	12	10

Thickness of Rim at 6mm from edge, max. mm	13	13	13	13	13	13
--	----	----	----	----	----	----

**RULE 190**  
**HAMMER, DISCUS, AND WEIGHT THROWING CAGE**

It is required that all Hammer, Weight, Superweight, Ultraweight, and Discus Throws be from an enclosure or cage to ensure the safety of spectators, officials, and competitors. The cage specified in this rule is intended for use in a major stadium when the event takes place outside the arena with spectators present or when the event takes place in the arena with other events taking place at the same time. Where this does not apply, a simpler construction may be satisfactory, provided it ensures safety. See Figures 12-13, and IAAF Rules 190 and 192, for suggested specifications of cages for the Hammer and Discus.

**NOTE 1:** *An effective hammer cage should have moveable panels at the front where the operative positions of these panels are marked, either permanently or temporarily, on the ground. These should be constructed so that the inside edge of either panel can be moved to a point 1.5m inside the sector line. If the panels are too short to reach 1.5m inside the sector, then set it for the maximum distance in the sector. There are two options at this point.*

(a) *This setup corresponds to using an existing pre-2007 NCAA cage. See Figure 13. The support to which these movable panels are attached should be no closer than 2.85m outside the sector line or about 6.1m from the center of the circle). Each of the movable panels should be at least 4.35m in width. The height of the movable panels and at least the first stationary panels should be 6.15m. The netting for the cage panels should be suspended and not tied tightly in order to absorb the impact of the Hammer and reduce the risk of the Hammer rebounding. The opening should be 6m wide, measured from the inner edge of the cage or pivoted netting as appropriate, and positioned 7m in front of the center of the throwing circle. However, the width of opening at the front of the cage is less critical than where the opening is placed. Thus the distance of the panels from the center of the circle is important. The panels are alternated for left- and right-handed throwers. The panel opposite to the direction of spin, i.e., the left-hand panel, for a right-handed thrower, is placed inside the sector line 1.5m. If shorter than this distance, then the gate should be perpendicular to the sector line. The end of the other gate should be about 1.1m off the sector line.*

(b) *An alternate cage is the IAAF cage and is recommended for new construction. See Figure 12.*

**NOTE 2:** *The cage side, particularly alongside the track, may be lengthened and/or increased in height to provide greater protection to athletes competing on the adjoining track during a discus competition.*

**RULE 191**  
**THROWING THE HAMMER**

1. The competitor in the starting position, prior to the preliminary swings or turns, is permitted to rest the head of the hammer on the ground inside or outside the circle. In making a throw, the competitor may choose to assume any starting position and shall use both hands, holding the hammer exclusively by the handle.
2. It shall not be considered a foul throw if the head of the hammer touches the ground or the top of the iron band. The competitor may stop and begin the throw again, provided no other rule has been breached.



3. If the hammer breaks during the throw or while in the air, it shall not count as a throw provided it was made in accordance with the rules. In the event that the competitor thereby loses balance and commits a foul, it shall not be charged and the athlete shall be awarded a new trial.
4. **Construction** - The hammer shall consist of three parts: a metal head, a wire and a handle.
5. **Head** - The head shall be solid iron or other metal not softer than brass, or a shell of such metal filled with lead or other solid material so that no internal movement is detected by feel, sight or sound. It must be spherical in shape. If a filling is used, it must be inserted in such a manner that it is immovable and that the center of gravity shall not be more than 6mm from the center of the sphere, *i.e.*, it must be possible to balance the head, less wire and handle, on a horizontal sharp-edged orifice 12mm in diameter.
6. **Wire** - The wire shall be a single unbroken and straight length of spring wire not less than 3mm, and shall be such that it cannot stretch appreciably while being thrown. The wire may be looped at one or both ends as a means of attachment.
7. **Handle** - The handle shall have a symmetric design, be rigid and without hinging joints of any kind, may have a curved or straight grip and/or brace. Per IAAF specifications, the minimum handle breaking strength shall be 8kN (800kgf) and the handle shall be designed such that the total deformation of the handle under a tension load of 3.8kN shall not exceed 3mm. See Figure 14.
8. **Connection** - The wire shall be connected to the head by means of a swivel which may be either plain or ball bearing. The handle shall be connected to the wire by means of a loop in such a manner that it cannot be turned within the loop of the wire to increase the overall length of the hammer. A swivel may not be used.
9. The hammer shall conform to the following specifications:

<b>Name</b>	<b>16 lb</b>	<b>6 kg</b>	<b>12 lb</b>	<b>5 kg</b>	<b>4 kg</b>	<b>3 kg</b>	<b>2 kg</b>
Nominal Wt. kg	7.26	6.00	5.45	5.00	4.00	3.00	2.00
Min. Record Wt. kg	7.260	6.000	5.443	5.000	4.000	3.000	2.000
Diameter min. mm	110	105	98.4	100	95	85	75
Diameter max. mm	130	125	117.5	120	110	100	100
Length max. mm-Note 1	1215	1215	1215	1200	1195	1195	1195

**NOTE 1:** *Length of Hammer is measured from the inside of the handle to the bottom of the ball. Pressure should be applied to make sure the wire is straight. There is no specification on the loop size.*

**NOTE 2:** *The weight of the implement includes the totality of the hammer head, wire and handle.*

## RULE 193 THROWING THE JAVELIN

1. Requirements for a valid throw:
  - (a) The javelin must be held by the grip with one hand only, so that the little finger is nearest to the point and the thrower's last contact with the javelin shall be with the grip.

- (b) At no time after preparing to throw until the javelin is in the air may the competitor turn completely around so that his/her back is towards the throwing area. The javelin shall be thrown over the shoulder or upper part of the throwing arm and may not be slung or hurled.
- (c) No throw shall be valid or counted in which the metal head, in contacting the ground, or any other object, when it first lands, is not completely within the inner edges of the lines of the sector before any other part of the javelin, or where the competitor touches with any part of the body, the arc as marked or the lines drawn from the extremities thereof at right angles to the parallel lines, or the ground beyond the arc or such lines.

**NOTE:** *For Youth Athletics exception, see Rule 302.5(h).*

- (d) Competitors may not in the course of an attempt touch with any part of their body the lines which mark the runway or the ground outside.
- (e) Competitors shall not leave the runway until the javelin has touched the landing surface. When leaving the runway, the competitor's first point of contact with the parallel lines or the surface outside the runway must be completely behind the arc and the lines drawn from its extremities. The first contact with the parallel lines or the surface outside the runway is considered leaving.

A competitor shall also be considered to have left the runway in a valid manner once the implement has touched the ground and the competitor makes contact with or behind an identified line 4m back from the ends of the throwing arc, or if a competitor is already behind such line and inside the runway at the moment the implement touches the ground.

- 2. If the javelin breaks at any time during the course of the throw, it shall not count as a trial provided the throw was made in accordance with the rules. If the competitor thereby loses his/her balance and contravenes any part of this Rule, it shall not be counted as a foul throw and the competitor shall be awarded a new trial.
- 3. If a thrower improperly releases the javelin in making an attempt, it shall be recorded as a foul throw.

**NOTE:** *For details of competition, see Rules 180 and 187.*

*For measurements, see Rules 148.2(b)i, 187.7(b).*

*For specifications of runway, arc, and sector, See Rules 180.18, 187.23 and 24.*

- 4. **Construction** - The javelin shall consist of three main parts: a head, a shaft, and a cord grip. The shaft may be solid or hollow and shall be constructed of metal or other suitable material so as to constitute a fixed and integrated whole. The shaft shall have fixed to it a metal head terminating in a sharp point.
- 5. The javelin shall conform to the specifications set forth in the table on the following page.
- 6. The grip, which shall cover the center of gravity, shall not exceed the diameter of the shaft by more than 8mm. It may have a regular non-slip pattern surface but without thongs, notches, or indentations of any kind. The grip shall be of uniform thickness.
- 7. The cross-section shall be regularly circular throughout (see Note 1). The maximum diameter of the shaft shall be immediately in front of the grip. The central portion of the shaft, including the part under the grip, may be cylindrical or slightly tapered toward the rear, but in no case may the reduction in diameter, from immediately in

front of the grip to immediately behind, exceed 0.25mm. From the grip, the javelin shall taper regularly to the tip at the front and the tail at the rear. The longitudinal profile from the grip to the front tip and the tail shall be straight or slightly convex (see Note 2), and there must be no abrupt alteration in the overall diameter, except immediately behind the head and at the front and rear of the grip, throughout the length of the javelin. At the rear of the head, the reduction in the diameter may not exceed 2.5mm and this departure from the longitudinal profile requirement may not extend more than 30cm behind the head.

**NOTE 1:** *While the cross-section throughout should be circular, a maximum difference between the largest and the smallest diameter at any cross-section of 2% is permitted. The mean value of these two diameters at any selected cross section must correspond to the specification of a circular javelin.*

**NOTE 2:** *The shape of the longitudinal profile may be quickly and easily checked using a metal straightedge at least 50cm long and two feeler gauges 0.20mm and 1.25mm thick. For slightly convex sections of the profile, the straightedge will rock while being in firm contact with a short section of the javelin. For straight sections of the profile, with the straightedge held firmly against it, it must be impossible to insert the 0.20mm gauge between the Javelin and the straightedge anywhere over the length of contact. This shall not apply immediately behind the joint between the head and the shaft. At this point it must be impossible to insert the 1.25mm gauge.*

<b>Name</b>	<b>800g</b>	<b>700g</b>	<b>600g</b>	<b>500g</b>	<b>400g</b>
Nominal Wt. G	800	700	600	500	400
Minimum Record Wt. G	800	700	600	500	400
Overall Length min. mm	2600	2300	2200	2000	1850
Overall Length max. mm	2700	2400	2300	2100	1950
Length - Metal Head min. mm	250	250	250	220	200
Length - Metal Head max. mm	330	330	330	270	250
Dist. From tip to CG min. mm	900	860	800	780	750
Dist. From tip to CG max. mm	1060	1000	920	880	800
Diameter of Shaft					
at thickest point min. mm	25	23	20	20	20
Diameter of Shaft					
at thickest point max. mm	30	28	25	24	23
Width of cord grip, min. mm	150	150	140	135	130
Width of cord grip max. mm	160	160	150	145	140
Taper Meas. from Tip mm	150	150	150	150	125
Taper Meas. from Tail mm	150	150	150	150	125
Diameter at Tip Taper					
Measurement Point	≤0.80dia*	≤0.80dia*	≤0.80dia	≤0.80dia*	≤0.80dia*
Diameter at Tail Taper					
Measurement Point	≥0.40dia*	≥0.40dia*	≥0.40dia	≥0.40dia*	≥0.40dia
Diam. at Mid Point Tip to CG	≤0.90dia*	≤0.90dia*	≤0.90dia	≤0.90dia*	≤0.90dia
Diam. at Mid Point Tail to CG	≥0.90dia*	≥0.90dia*	≥0.90dia	≥0.90dia*	≥0.80dia
Tail Diameter min mm	3.5	3.5	3.5	3.5	3.5

\* **Diam. is the maximum diameter for the implement.**

- The javelin shall have no mobile parts or other apparatus that, during the throw, could change its center of gravity or throwing characteristics.

9. The surface of the shaft shall have no dimples or pimples, grooves or ridges, holes or roughness, and the finish shall be smooth and uniform throughout. To be smooth, the surface average height must be less than 1.6µm (a roughness number of N7 or less). Tape or any other substances shall not be placed on the javelin. The head shall be constructed completely of metal. It may contain a reinforced tip of other metal alloy welded on to the front end of the head, maximum 40 degrees, provided that the completed head is smooth and uniform along the whole of its surface.
10. **Mini Javelin** - The shaft, grip and fins shall be made out of plastic. The tip shall be made of soft rubber with a blunt, rounded end. The fins shall be flat (without protrusions or roughness) and shall be perpendicular to the surface of the javelin. The fins shall be parallel to the center line of the shaft. The nominal weights shall be 300g, 400g, 500g and 600g. All shall conform to the following specifications, as applicable:

**300g and 400g Mini Javelin Specifications (All dimensions in mm):**

<b>Dimension</b>	<b>Min</b>	<b>Max</b>
Overall Length	685	705
Length of head	84	94
Tip Diameter at largest point	37	43
Distance from Tip to CG	365	380
Diameter of shaft forward of grip	30	38
Diameter of shaft behind the grip	24	30
Diameter of shaft at the grip	34	40
Length of grip	99	109
Location of front of grip from tip of tail	322	332
Fin length	162	168
Fin Diameter (peak to peak opposing fins)	95	105
Number of Fins	4	4

**500g and 600g Mini Javelin Specifications (All dimensions in mm):**

<b>Dimension</b>	<b>Min</b>	<b>Max</b>
Overall Length	1100	1140
Length of head	85	95
Tip Diameter at largest point	35	45
Distance from Tip to CG	560	610
Diameter of shaft forward of grip	30	38
Diameter of shaft behind the grip	31	37
Diameter of shaft at the grip	40	45
Length of grip	105	125
Location of front of grip from tip of tail	550	570
Fin length min.	165	175
Fin Diameter (peak to peak opposing fins)	85	95
Number of Fins	4	4

**RULE 195  
THROWING THE WEIGHT**

1. In making a throw, the competitor may choose to assume any starting position, holding the weight exclusively by the handle, and using both hands except at the start of the throw and at the release of the implement.
2. In all other respects, the rules for the Hammer Throw (Rule 191) shall govern.

3. **Construction** - The weight shall consist of three parts: a head (ball), a handle, and a connection assembly which may contain a harness.
4. **Head** -
- (a) All Metal Head - The head shall be a sphere. The head shall be made of solid metal not softer than brass. There shall not be any internal movement. The center of gravity shall not be more than 9mm from the center of the sphere.
  - (b) Filled Head - The head shall be a shell made of plastic or other suitable polymer material in the shape of a sphere, designed to protect the landing surface. The head shall be filled with lead or other material inserted in a manner that minimizes any internal void or movement and have center of gravity not more than 9 mm from the center of the sphere certified by the manufacturer. The head may deform upon impact, but must return to the shape of a sphere.
- NOTE:** *Rubber is not an acceptable material for the shell.*
5. **Handle** - The handle shall be made of round steel metal rod, bent in a triangular shape with straight sides. The handle may include an internal brace or loop. The handle must be rigid and not show evidence of elasticity or malformation before, during or after the competition.
- a) The handle for the filled head weight shall have sides that do not exceed 160 mm or are not smaller than 100mm inside measurement. A handle with no permanent connection point shall have all three sides of equal length.
  - (b) The handle for the all metal head weight shall have sides that do not exceed 190 mm or smaller than 100 mm inside measurement. A handle with no permanent connection point shall be constructed in such a manner that regardless of how the handle is turned the length of the implement does not exceed the specified maximum length of the implement.
6. **Harness** - If the implement includes a harness, it shall be fabricated from a minimum of four straps sewn together to form a sling. Netting shall not be used for this purpose. The harness must not stretch or show evidence of elasticity or malformation before, during or after the competition. A protective sleeve may be used around the links and/or swivel.
7. **Connection** - The handle shall be connected to the head or to a harness in the following manner:
- (a) After the handle, by means of no more than two steel links (loops), whose size shall be such that they cannot stretch while the implement is being thrown.
- NOTE:** *Wire is not a suitable connector.*
- (b) For the All Metal Head, the handle shall be connected without the use of a swivel.
  - (c) For a Filled Head or Harness, the use of links and swivel are optional. However, at least one shall be used and when used in combination, the swivel shall be attached to the head.
  - (d) A swivel, when used, may be either plain or ball-bearing, and is not considered an additional link. A protective sleeve may be used around the links and/or swivel.

8. **Length** - The overall length of the complete implement as thrown, from the bottom surface of the head in its spherical shape, or harness, to the inside surface of the middle of the handle (grip) shall not exceed 406.4mm at any time.

**NOTE 1:** *The overall length for Masters is 410.0mm.*

**NOTE 2:** *An implement presented for inspection must be measured for length with all components at their maximum lengths as designed by the manufacturer. Once the implement has been inspected and approved for competition, the implement shall not be altered or adjusted other than to be repaired by the Inspector of Implements.*

9. The weight shall conform to the following specifications:

Name		56 lb	20 kg	35 lb	25 lb	20 lb	16 lb	12 lb	4 kg
Nominal Weight	kg	25.40	20.00	15.88	11.34	9.08	7.26	5.45	4.00
Min. Record	Wt. kg	25.400	20.000	15.880	11.340	9.080	7.260	5.450	4.000
Diameter	min. mm			145	130	120	110	100	95
Diameter	max. mm			165	150	140	130	120	110

**NOTE:** *Maximum diameter for indoor implements is 15 mm larger.*

## RULE 196 THE ULTRAWEIGHT

1. **Construction** - The ultraweight shall consist of three parts: a main body, a handle, and a connection assembly
2. **Main Body** - The main body should be either a solid cylinder or constructed of no more than two solid cylinders (200 lb weight) or three solid cylinders (300 lb weight) stacked and held together so as to form an essentially solid cylinder.
  - (a) The cylinder shall be made of a material no softer than lead. An outer casing, such as a steel pipe, may be used, provided the length and diameter specifications are maintained.
  - (b) The diameter of the cylinder shall not exceed 26.7cm nor be less than 15.25cm.
3. **Handle** - The handle shall be made of a round steel rod, not less than 12mm in diameter, bent in a triangular or modified triangular shape so that no side exceeds 20cm inside dimension. A handle shall have two sides of equal length and the third side (handle) of more than or equal length. When the overall length of the implement is measured, the equal sides must form the sides of the triangle. The handle must be rigid and not show evidence of elasticity or malformation after being thrown.
4. **Connection Assembly** - The main body shall incorporate a permanent eye bolt, u-bolt or shackle in its construction (stainless steel recommended), which may swivel. The handle should be connected by means of a removable shackle or link(s) (stainless steel recommended). No more than two links shall be used, in addition to the handle anchor shackle and the main body connection. An immovable handle is not recommended.
5. **Length** - The overall length of the complete implement, from the inside surface of the handle (grip) to the bottom surface of the main body to shall not exceed 45.75cm.

6. **Weight Specifications** - In addition to the Weight implement specification found in Rule 195, the Ultraweight implement shall conform to the following:

<b>Implement</b>	<b>98 lb</b>	<b>200 lb</b>	<b>300lb</b>
Minimum Weight - kg	44.50	90.80	136.10

Since most officials' organizations will not have a scale of sufficient capacity to weigh these implements, the event management should make arrangements to have the implements weighed prior to the event by an outside source. Weighing services should be sought from an establishment that can prove its scale's calibration is traceable to NIST, and the measurement accuracy is no greater than  $\pm 50$  grams.

A certificate attesting to the calibration of the scales used and exact weight of the implements being used in a competition must be presented to the Inspector of Implements prior to the start of competition.

7. **Throwing Area** - The following apply for the 98, 200 and 300 lb implements.
- (a) **Construction** - The Ultraweight shall be thrown from a square that is made of bands of iron, steel or other suitable material, and painted white. The surface of the square may be sunk flush with the surrounding ground or installed on top of the ground; the latter case being allowed for ease of transportation and storage of the hardware, as well as providing the ability to assemble the square so the front side is even with the edge of the concrete or other slab. If it is installed on the surface of the ground, provisions should be made that allow securing of the square to eliminate movement for the duration of the competition.

The surface surrounding the square may be concrete, synthetic, asphalt, wood or any other suitable material. The surface within the square shall be constructed of concrete or similar material. The throwing field shall be level with the surface within the square.

- (b) **Dimensions** - The inside dimensions of the square shall measure 2.135m on each side. The metal square bands shall be 5cm wide. The top surface of the metal square bands shall be 20mm above the surrounding ground. However, the width of the bands may be increased if this assists in bolting or otherwise fastening the square to the ground.
- (c) **Projection lines** - A line 5cm wide shall be drawn theoretically through the center of the square, extended no less than 75cm on each side, to designate the front and rear halves of the square. The extensions outside the square should be marked on the ground, but the line should not be marked inside the square.
- (d) **Sector** - The sector within which all throws from the square must fall shall be clearly marked on the ground with lines 5cm wide, the inner edges of which shall form the sector boundary. These sector lines are extensions of the sides of the throwing square.

**NOTE:** Further material regarding Ultraweight specifications and illustrations of the implement, throwing area and landing sector can be found in the *Officials Manual for the Ultraweight Pentathlon*. See Rule 203 for competition rules.

**SECTION IV  
COMBINED EVENTS**

**RULE 200  
EVENTS - GENERAL RULES**

**1. Competition for men:**

- (a) The Outdoor Pentathlon, which shall be conducted on one day in the following order:

Long Jump  
Javelin Throw  
200 Meters  
Discus Throw  
1500 Meters

- (b) The Decathlon, which shall be conducted on two consecutive days in the following order:

First Day:           100 Meters  
                          Long Jump  
                          Shot Put  
                          High Jump  
                          400 Meters

Second Day:       110 Meter Hurdles  
                          Discus Throw  
                          Pole Vault  
                          Javelin Throw  
                          1500 Meters

- (c) The Throws Pentathlon and Ultraweight Pentathlon, which shall be conducted on one day (see Rule 201).

**NOTE:** *For indoor combined event definition, see Rule 223.1.*

**2. Competition for women:**

- (a) The Outdoor Pentathlon, which shall be conducted on one day in the following order:

100 Meter Hurdles  
High Jump  
Shot Put  
Long Jump  
800 Meters

- (b) The Heptathlon, which may be conducted on the same day or on two consecutive days, in the following order:

First Day:           100 Meter Hurdles  
                          High Jump  
                          Shot Put  
                          200 Meters  
Second Day:       Long Jump  
                          Javelin Throw  
                          800 Meters



- (c) The Decathlon, which shall be conducted on two consecutive days in the following order:

First Day: 100 Meters  
Discus Throw  
Pole Vault  
Javelin Throw  
400 Meters

Second Day 100m Hurdles  
Long Jump  
Shot Put  
High Jump  
1500 Meters

- (d) The Throws Pentathlon and Ultraweight Pentathlon, which shall be conducted on one day (see Rule 201).

**NOTE:** *For indoor combined event definition, see Rule 223.2.*

3. The Rules of Competition of USATF for each event shall apply, with the following exceptions:

(a) In the Long Jump, Shot Put, Discus Throw, and Javelin Throw, each competitor shall be allowed three trials only.

(b) If hand timing is used, each competitor's time shall be timed by three Timers independently, using Rule 165.6 to determine the official time.

(c) No penalty shall be imposed for the first false start, but the Starter shall disqualify the offender or offenders on the second false start. False starts are called on individuals, not on the field.

**NOTE:** *In practice, when one or more competitors make a false start, others are inclined to follow and, strictly speaking, any competitor who does so has also made a false start. The Starter should charge only the competitor or competitors who, in the Starter's opinion, were responsible for the false start. This may result in more than one competitor being charged with a false start. If the unfair start is not due to any competitor, no competitor shall be charged.*

4. (a) The events, except as otherwise provided in these rules, shall be contested at such intervals as determined by the Track and Field Committee. Whenever possible, there shall be an interval of at least 30 minutes between the time one event ends and the next event begins for any individual athlete. If possible, the time between the last event on the first day and the first event on the second day should be at least 10 hours.

(b) In field events of combined competition for women, when more than one flight is required, a minimum of 30 minutes shall be allowed between the last attempt of the previous flight and the beginning of competition in the next flight. In the hurdles of such competition for women, where feasible, a minimum of 10 minutes shall be allowed between flights. Competition in a subsequent flight may begin prior to 30 minutes (10 minutes in the hurdles) after the previous flight with the approval of all competitors.

**NOTE:** *This rule is to insure rather than limit adequate warm-up time.*

- (c) When more than one flight is required in events, the composition of flights and, where feasible, the approximate scheduled time of each flight shall be posted prior to the competition, except that the composition of flights for the last event shall be determined just prior to the start of that event. Where field event flights are conducted sequentially, a minimum of 30 minutes between field event flights shall be allowed between the last attempt or finisher of one and the beginning of competition in the next unless approval for an earlier start is obtained by all competitors in the flight.
- 5. (a) If the number of competitors warrants it, they may be divided into permanent groups of not less than six as determined by the Games Committee or Combined Events Referee. These groupings shall continue throughout the first seven events of the decathlon and all but the last event of the other combined events.
    - (b) When permanent groups are not used and individual event performance data during a predetermined period are available for most of the combined event competitors, the Games Committee, or Combined Events Referee, shall make heat and flight assignments using these data. When no performance data are available, the competitors for each heat and flight shall be drawn by lot. When this cannot be achieved due to the time schedule of events, the heats or flights for the next event should be arranged as and when competitors become available from the previous event.
    - (c) In the last event of a Combined Events Competition, heats, if used, should be arranged so that the last heat contains the leading athletes after the penultimate event. The Combined Event Referee shall arrange such heats.
    - (d) The order of competition within a field event, and the assignment of lanes in a track event, shall be drawn by lot for each event independently. Preferably five or more, and never less than three competitors shall be placed in a heat or flight. If there are 16 or more competitors, it is recommended that more than one facility be used for field events.

**NOTE:** *For Youth Athletics exception, see Rule 302.6*

- 6. The incremental increase in the High Jump and Pole Vault in Open Men's and Women's Track and Field Championships shall be uniform throughout the competition at 3cm and 10cm, respectively.

**NOTE:** *For Youth Athletics exception, see Rule 302.6*
- 7. An athlete disqualified for fouling a competitor in any event shall be permitted to compete in the remaining events, unless the Referee shall rule that mere loss of points is not sufficient penalty.
- 8. A competitor failing to attempt to start or take a trial in any event of the competition shall not be allowed to participate in any following events. Such competitor shall not be included in the final placing or scoring, but shall have his/her performances before withdrawing recorded in the results of the competition. Any competitor deciding to withdraw from the competition shall immediately inform the Referee of his/her decision to do so.
- 9. The scores of each competitor, separately and combined, should be announced to the competitors after the completion of each event.

10. Except as otherwise provided in these rules, scoring shall be based on the current IAAF Scoring Tables for Combined Events.  
**NOTE:** *For Masters scoring, see Rule 332.2(h).*
11. Scoring based on only one system of timing shall be used throughout each separate event. However, for record purposes, fully automatic times shall be applied where they are available, regardless of whether such times are available for other competitors in the event. Where fully automatic timing is used, the times shall be given to 1/100th of a second and the 1/100th second scoring table shall be used.
12. The winner shall be the competitor who has scored the highest total number of points. If two or more athletes achieve an equal number of points for any place in the competition, the procedure to determine whether there has been a tie is the following:
  - (a) The athlete who, in the greater number of events, has received more points than the other athlete(s) concerned shall be awarded the higher place.
  - (b) If the athletes are equal following the application of Rule 200.12(a), the athlete who has the highest number of points in any one event shall be awarded the higher place.
  - (c) If the athletes are still equal following the application of Rule 200.12(b), the athlete who has the highest number of points in a second event, etc. shall be awarded the higher place.
  - (d) If the athletes are still equal following the application of Rule 200.12(c), it shall be determined to be a tie.
13. For record purposes, if the automatic timing device should fail in a heat not involving the competitor who set the record, then the record may be scored using the automatic timing tables, although the competition would be scored and decided using the manual timing tables.
14. Appropriate implement weights, hurdle heights and hurdle spacing must be used for the age classifications entered in the competition. For Youth, see Rules 301, 302.4 and 302.6. For Junior, see Rule 10.2(a). For Masters, see Rules 332.1(i) and 332.
15. Changes in the number of days defined for a Combined Events competition are not allowed except in extreme and/or unusual circumstances, including weather, as determined by the Referee. If the competition is held for a longer period than defined in Rules 200.1, 200.2 and 222, then a Combined Events points record cannot be claimed.

**RULE 201**  
**THROWS PENTATHLON**

1. The competition consists of the following five (5) events: Hammer Throw, Shot Put, Discus Throw, Javelin Throw, and Weight Throw. The events shall be contested in the above-mentioned order, and at such intervals as shall be determined by the Games Committee.
2. Three trials shall be allowed in each event.

3. The winner shall be the one who has scored the highest total of points (counting the best performance in each event) for all five (5) events, scored on the basis of the Official International Scoring Tables for the Hammer, Shot Put, Discus, and Javelin Throws, and on the basis of similarly prepared scoring tables for the Weight Throw.  
**NOTE:** *For Masters exception, see Rule 332.2(h).*

**RULE 202  
THROW-A-THON**

1. The competition consists of the following five (5) events: Hammer Throw, Shot Put, Discus Throw, Javelin Throw and Weight Throw. The events shall be contested in the above mentioned order and at such intervals as shall be determined by the Games Committee.
2. Three trials shall be allowed in each of three weights for each event. The three weights, and the order of their throw, shall be the standard weight, the next higher weight and the next lower weight for the age and gender of the competitor. If the higher or lower weight is not available, the standard weight for the age and gender shall be thrown.
3. The winner shall be the competitor who has scored the highest total points after combining the best performance for each of the three (3) weights in each event for all five (5) events, scored on the basis of the Official International Scoring Tables or similarly prepared tables for the individual events.

**RULE 203  
ULTRAWEIGHT PENTATHLON**

1. The competition consists of throwing the five weights listed for each gender and age group in the table at the end of this Rule. The competition may be conducted either as an outdoor event or an indoor event.
2. Three trials shall be allowed with each weight.
3. The implements are thrown in order from lightest to heaviest.
4. The events shall be contested at such intervals as determined by the Games Committee.
5. In making a throw, the competitor may choose to assume any starting position and shall use both hands, holding the Ultraweight exclusively by the handle. Rule 187, Paragraphs 1-16 and Rule 191 shall apply. All references to the 'circle' shall be interpreted to mean the 'square' for purposes of the Ultraweight Throw. The gloves defined in Rule 187.3(c) may have closed fingers.
6. The measurement of only the 98 lb, 200 lb and 300 lb Ultraweight Throw implements shall be made from the nearest mark made by the landing of the implement to the inside of the front of the throwing square along a line from the mark. The measurement of the throw shall be made at right angles from the inside of the front foul line. The nearest visible part of the break/imprint to the throwing square shall be measured after the implement has ceased to move. The handle imprint is not measured. The measurement for the other implements (56 lb and below) shall be as normally defined.

7. Individual points from each event are awarded based on the Ultraweight Pentathlon Scoring Table. The winner shall be the competitor who has scored the highest overall score after totaling the scores from each of the five events.

**NOTE:** For Masters exception, see Rule 332.2(h).

8. For specifications for the implements, see Rules 195.8 and 195.9.

Men								
Age Group	Weight #	Super Weight #	35 lb	20kg	56 lb	98 lb	200 lb	300 lb
Open-49	35	56				x	x	x
50-59	25	56				x	x	x
60-69	20	20 kg			x	x	x	
70-79	16	35		x	x	x		
80+	12	25	x	x	x			

Women								
Age Group	Weight #	Super Weight #	20 lb	25 lb	35 lb	20kg	56 lb	98 lb
Open-49	20	35				x	x	x
50-59	16	25			x	x	x	
60-74	12	20		x	x	x		
75+	4kg	16	x	x	x			

## **SECTION V INDOOR COMPETITIONS**

### **RULE 210 APPLICABILITY OF INDOOR RULES**

With the exceptions stated in this Section, the Rules of Competition in Sections I to IV shall apply to indoor competitions.

### **RULE 211 THE INDOOR STADIUM**

1. The stadium shall be completely enclosed and covered. Lighting, heating and ventilation shall be provided to give satisfactory conditions for competition.
2. The arena should include an oval track; a straight track for sprints and hurdles; runways and landing areas for jumping events. In addition, a circle and landing sector for the Shot Put and Weight Throw should be provided, whether permanent or temporary. It is preferred that all facilities conform to the specifications in the IAAF Track and Field Facilities Manual.
3. All tracks, runways and take-off surface areas shall be covered with a synthetic material or have a wooden surface. The synthetic material should preferably be able to accept 6mm spikes in running shoes. Alternative thicknesses may be provided by the stadium management, who will notify athletes of the permissible length of spikes. See Rule 143.3.
4. The foundation on which the surface of the track, runways and take-off area is laid shall either be solid or, if of suspended construction (such as wooden boards or plywood sheets mounted on joists), without any special sprung sections and, as far as technically possible, each runway and take-off area shall have a uniform resilience throughout. This shall be checked before each competition. A 'sprung section' is any deliberately engineered or constructed section designed to give extra assistance to a competitor.

**NOTE:** *Full technical information on track construction, layout and markings is contained in the IAAF's Manual on Track and Field Facilities, which is available from the IAAF at [www.iaaf.org](http://www.iaaf.org).*

### **RULE 212 TRACK LANES AND MEASUREMENT**

1. The lateral inclination of the straight track shall not exceed 1:100 and the inclination in the running direction shall not exceed 1:250 at any point and 1:1000 overall.
2. The nominal length of the oval should be preferably 200m. It shall consist of two parallel straights and two turns which may be banked and whose radii should be equal. The inside edge of the line or curb shall be horizontal throughout the length of the track with a maximum slope of 1:1000.

#### **LANES**

3. The straight track should have a minimum of 6 and a maximum of 8 lanes separated and bounded on both sides by white lines 5cm wide. The lanes shall all be 1.22m ±

0.01m wide including the lane line on the right. On tracks whose width does not permit 6 lanes of that width, the minimum width of the lanes may be  $1.07\text{m} \pm 0.01\text{m}$ .

4. The oval should have a minimum of 4 and a maximum of 6 lanes. The nominal width of the lanes shall be between 0.90m and 1.10m including the lane line to the right. All lanes shall be of the same width with a tolerance of  $\pm 0.01\text{m}$  to the selected nominal width. The lanes shall be separated by white lines 5cm wide.

### **THE START AND FINISH**

5. There should be a clearance on the straight track of at least 3m behind the start line and at least 10m beyond the finish line free of any obstruction with adequate provision beyond the finish for an athlete to come to a halt without injury.

**NOTE:** *It is strongly recommended that the minimum clearance beyond the finish line should be 15m.*

6. The start and finish of a race shall be denoted by white lines 5cm wide, at right angles to the lane lines for straight parts of the track and along a radius line for curved parts of the track.
7. The requirements for the finish line are: if at all possible there should be only one for all the different lengths of oval races; it shall be on a straight part of the oval; and as much of that straight as possible should be before the finish.
8. As far as possible, start lines (and take-over lines for relay races) should not be on the steepest part of the banking.

### **BANKING**

9. The angle of banking in all lanes in the curve and separately in the straight should be the same at any cross section of the oval. The straight may be flat or have a maximum lateral inclination of 1:100 toward the inside lane. In order to ease the change from the straight to the banked turn, the change may be made with a smooth gradual horizontal transition which may be extended up to 5m into the straight. In addition, there should be a vertical transition.

### **OVAL EDGE MARKINGS**

10. Although a raised border for at least the curved portion of the oval is preferred, an indoor track may be bordered with a white line 5cm wide and marked additionally with cones or flags. The cones shall be at least 20cm high. The flags shall be approximately 25cm x 20cm in size, at least 45cm high and set at an angle of  $120^\circ$  to the track surface. The cones or flags shall be placed on the white line so that the outward edge of the base of the cone or flag pole coincides with the outward edge of the white line closest to the track. The cones or flags shall be placed at distances not exceeding 1.5m on the turns and 10m on the straights.

**NOTE:** *For all indoor Championships, the use of an inside curb for at least the curved portion of the oval is strongly recommended.*

## **RULE 214 REGULATIONS FOR FORMING HEATS**

1. The heats or sections for all rounds in the running events, to the extent feasible, shall be formed according to the following tables. For Championship and selection meets, alternate formation or advancement procedures may be used as included in the Entry Material.

- (a) Qualification from Preliminary Heats: In indoor competitions, with an eight lane straight and a six lane oval, the following tables shall, in the absence of extraordinary circumstances, be used to determine the number of rounds and the number of heats in each round to be held and the qualification procedure for each round of track events:

60m, 60mH							
Entries	Trial Heats	Qualifying on Place	Qualifying on Time	Semi Heats	Qualifying on Place	Qualifying on Time	Final
9-16	0	-	-	2	3	2	8
17-24	0	-	-	3	2	2	8
25-32	4	3	4	2	3	2	8
33-40	5	4	4	3	2	2	8
41-48	6	3	6	3	2	2	8
49-56	7	3	3	3	2	2	8

200m, 400m, 4 x 200m, 4 x 400m							
Entries	Trial Heats	Qualifying on Place	Qualifying on Time	Semi Heats	Qualifying on Place	Qualifying on Time	Final
6-10	-	-	-	2	2	2	6
11-15	-	-	-	3	1	3	6
16-20	-	-	-	4	1	2	6
21-25	5	2	2	2	2	2	6
26-30	6	2	6	3	1	3	6
31-35	7	2	4	3	1	3	6
36-40	8	2	2	3	1	3	6

800m							
Entries	Trial Heats	Qualifying on Place	Qualifying on Time	Semi Heats	Qualifying on Place	Qualifying on Time	Final
7-12	-	-	-	2	2	2	6
13-18	3	3	3	2	2	2	6
19-24	4	2	4	2	2	2	6
25-30	5	2	2	2	2	2	6
31-36	6	2	6	3	1	3	6

1500m							
Entries	Trial Heats	Qualifying on Place	Qualifying on Time	Semi Heats	Qualifying on Place	Qualifying on Time	Final
12-18	-	-	-	2	3	3	9
19-27	-	-	-	3	2	3	9
28-36	-	-	-	4	2	1	9
37-45	5	3	3	2	3	3	9

3000m				
Entries	Trial Heats	Qualifying on Place	Qualifying on Time	Final
16-24	2	4	4	12
25-36	3	3	3	12
37-48	4	2	4	12



- (b) Principles of assigning lanes
  - i. Within each race, for all rounds of all events other than 800 meters, run wholly or partly in lanes around a turn, where there are successive rounds of an event:
    - a. In the first round in the 200 meters and 400 meters, lane one shall not be utilized;
    - b. A draw for lanes will be made for the outer two lanes between the two highest ranked athletes;
    - c. A draw for lanes will be made for the next two lanes between the third and fourth ranked athletes;
    - d. A draw for lanes will be made for any remaining inner lanes between the remaining athletes.
  - ii. The rankings referred to shall be those identified in Rule 166.1(d).
  - iii. For all other races the lane order shall be drawn in accordance with Rule 166.1(f).

## 2. Conduct of Races

- (a) For races of 400m or less, each athlete shall have a separate lane at the start.
- (b) Races of up to and including 300m shall be run entirely in lanes.
- (c) Races over 300m and less than 800m shall start and continue in lanes until the end of the second turn.
- (d) In races of 800m each athlete may be assigned a separate lane, or no more than two per lane, or a group start may be used, preferably using lanes 1 and 3. In these cases, athletes may leave their lane, or those running in the outer group may join the inner group, only after the break line marked at the end of the first turn.
- (e) Races longer than 800m shall be run without lanes using an arced start line or a group start.
- (f) In the 400 Meters, at least one half-hour rest shall be allowed between heats, semi-final, and final respectively. In races of 800m or longer, at least 45 minutes rest shall be allowed between heats and final.

**NOTE 1:** *Group starts shall utilize Rule 162.17.*

**NOTE 2:** *For Youth Athletics exception, see Rule 303.6.*

- 3. **International Team Qualification** - When the Open National Championship is used to select a team to represent the USA in international competition, the Chairs of the Men's and Women's Sport Committees may establish rounds and advancement procedures in oval events of less than 1500m that result in a two section timed final.

**RULE 216**  
**SHOES**

When a competition is conducted on a synthetic surface, that part of each spike which projects from the sole or the heel shall not exceed 6mm, or as required by the Games Committee, in addition to the provisions of Rule 143.3.

**RULE 217**  
**HURDLES**

The standard distances and specifications for hurdle races shall be as set out in the following table, with the height of the men's hurdles at 1.067m (42in.) and the women's at 0.840m (33in.). For experimental purposes, women's events may be conducted with a hurdle height of 0.914m (36in.).

**NOTE:** For specifications for Masters races see Rule 332.2(k).

	<b>Distance of Race</b>	<b>Number of Hurdles</b>	<b>Distance from Start to First Hurdle</b>	<b>Distance Between Hurdles</b>	<b>Distance from Last Hurdle to Finish</b>
Men	50m	4	13.72m	9.14m	8.86m
Men	55m	5	13.72m	9.14m	4.72m
Men	60m	5	13.72m	9.14m	9.72m
Women	50m	4	13m	8.5m	11.5m
Women	55m	5	13m	8.5m	8m
Women	60m	5	13m	8.5m	13m

**RULE 218**  
**RELAY RACES**

1. The 4x200 Meter Relay shall be run in lanes for the first leg, as well as that part of the second leg up to the nearer edge of the break line used for the individual 800m at the end of the first turn, as described in Rule 160.8(c), where runners may leave their respective lanes. Rule 170.12 shall not apply.
2. In the 4x400 Meter Relay and the indoor Sprint Medley Relay, the first two turns shall be run in lanes. Thus the same break line will be used as for the individual 400 meter race.
3. In the 4x800 Meter Relay, the first turn shall be run in lanes. Thus the same break line will be used as for the individual 800 meter race.  
NOTE: Due to the narrow lanes, indoor relay races have a greater liability for collisions and unintended obstruction than outdoor relay races. It is therefore recommended that when possible an empty lane be left between each team.
4. The Distance Medley Relay shall be run without the use of lanes.
5. The runners in the third and fourth legs of the 4x200 Meters Relay and in each leg other than the first of the indoor Sprint Medley Relay, Distance Medley Relay, 4x400 Meters Relay and 4x800 Meters Relay shall, under the direction of a designated official, place themselves in their waiting position in the same order (inside to out) as the order of their respective team members as they enter the last turn before the

exchange. Once the incoming runners have passed this point, the waiting runners shall maintain their order, and shall not exchange positions at the beginning of the exchange zone. Should any runner not comply with this paragraph, his/her team shall be disqualified.

### **RULE 219 HIGH JUMP**

1. If portable mats are used, all references in the Rules to the level of the take-off area must be construed as referring to the level of the top surface of the mat.
2. An athlete may start an approach on the banking of the oval track provided that the last 15 meters of the run up is on a runway complying with Rule 180.17 and Rule 180.19.

### **RULE 220 POLE VAULT**

An athlete may start an approach on the banking of the oval track provided that the last 40 meters of the run up is on a runway complying with Rule 180.17 and Rule 180.19.

### **RULE 221 HORIZONTAL JUMPS**

An athlete may start an approach on the banking of the oval track provided that the last 40 meters of the run up is on a runway complying with Rule 180.17 and Rule 180.19.

### **RULE 222 SHOT PUT/ WEIGHT THROW**

#### **LANDING SECTOR**

1. The landing sector shall consist of some suitable material on which the shot will make an imprint but which will minimize any bounce.
2. The landing sector shall be surrounded at the far end and on the two sides, as close to the circle as may be necessary for safety of the other athletes and officials, by a stop barrier which should stop a shot whether in flight or bouncing from the landing surface.
3. In view of the limited space inside an indoor arena, the area enclosed by the stop barrier may not be large enough to include a full 34.92° sector. The following conditions shall apply to any such restriction.
  - (a) The stop barrier at the far end shall be at least 50cm beyond the current world Shot Put record for men or women.
  - (b) The sector lines on either side shall be symmetrical about the center line of the 34.92° sector.
  - (c) The sector lines may either run radial from the center of the Shot Put circle including a full 34.92° sector, or may be parallel to each other and the center line of the 34.92° sector. Where the sector lines are parallel, the minimum separation of the two sector lines shall be 9 meters.

**NOTE:** *The movement of the panels in Note 1 to Rule 190 should be modified to reflect the specifications of the landing sector.*

4. The circle may be marked on the floor.

### **CONSTRUCTION AND SPECIFICATIONS OF THE SHOT**

5. For indoor competition, a shot which is solid metal cased or a latex covered metal shell or one made of soft plastic or rubber incasing a suitable material may be allowed. The shot used shall conform to the construction and weight specifications in Rule 188.3 and Rule 188.4. The indoor shot must not allow that indentations in the surface be created to improve a grip. The diameter for a synthetic covered indoor shot can be a maximum of 15mm larger than the corresponding outdoor men's shot and 20mm larger than the corresponding outdoor women's shot. Only one type of shot may be used in a competition.

**NOTE 1:** *For Masters Men indoor competition the maximum diameter of all shots is 145mm.*

**NOTE 2:** *For Youth Boys indoor competition, the diameter for the 4kg shot may be a maximum of 20mm larger than the 4kg outdoor shot.*

### **RULE 223 COMBINED EVENTS**

#### **1. Competition for Men**

- (a) **Pentathlon:** The Pentathlon consists of five events, which shall be held on one day in the following order:  
60m Hurdles, Long Jump, Shot Put, High Jump, 1000m.
- (b) **Heptathlon:** The Heptathlon consists of seven events which shall be held over two consecutive days in the following order:  
First day: 60m, Long Jump, Shot Put, High Jump.  
Second day: 60m Hurdles, Pole Vault, 1000m.

#### **2. Competition for Women**

- (a) **Pentathlon:** The Pentathlon consists of five events and shall be held on one day in the following order:  
60m Hurdles, High Jump, Shot Put, Long Jump, 800m.

### **HEATS AND GROUPS**

3. Preferably four or more, and never less than three, athletes shall be placed in each heat or group.

**SECTION VI  
RACE WALKING**

**RULE 230  
JUDGES OF RACE WALKING**

**1. Judging**

- (a) The Judges of Race Walking shall have the sole authority to determine the fairness or unfairness of walking, and their rulings thereon shall be final and without appeal. Judging decisions are made as seen by the human eye.
- (b) The appointed Judges of Race Walking shall elect a Chief Judge, if one has not been appointed previously by the Race Walking Officials Selection Committee.
- (c) The Chief Judge shall assign the Judges to their respective judging areas and explain the judging procedure to be used during the race. At International Selection Competitions, the Chief Judge shall act as the supervising official for the competition, shall judge the full competition, and shall act as a Judge as described in 230.3(f).
- (d) At International Selection Competitions one or more Chief Judge's Assistants should be appointed. The Chief Judge's Assistants shall not act as a Race Walking Judge.
- (e) All Judges shall be currently certified as Race Walk Judges by USATF or by another IAAF member federation.
- (f) All Judges shall act in an individual capacity.
- (g) The Chief Judge will serve as the Referee and Chief Umpire if none is assigned. The Judges will serve as Umpires if none are assigned.
- (h) In road races, depending on the size and layout of the course there should be a minimum of six to a maximum of nine Judges including the Chief Judge. In track races, indoors and outdoors, there should be five Judges including the Chief Judge. At International Selection Competitions there shall be five judges (including the Chief Judge) when the trial is conducted on a track, and there shall be no more than 9 judges (including the Chief Judge) when the trial is conducted on a road course.
- (i) All Judges' Tally Sheets shall be turned in to the Recorder at the end of the race. A copy of the completed Judges' Summary Sheet, identifying competitors, offenses, disqualifications and time of notifications, shall be certified by the Chief Judge/Referee and posted as soon after the event as possible. The original of this sheet shall be delivered to the Competition Secretary and made part of the official event records.

**2. Yellow Paddle**

- (a) When a judge is not completely satisfied that the athlete is fully complying with Rule 232.2 the judge should, where possible, show the athlete a yellow paddle indicating the offence. An athlete cannot be given a second yellow paddle by the same judge for the same offense. Having shown a yellow paddle to an athlete, the Judge shall inform the Chief Judge of this action after the competition.

- (b) Each Judge shall use two yellow paddles for signaling cautions. One paddle should have the symbol ~ indicating "Loss of Contact" on both sides and the other paddle should have the symbol > indicating "Bent Knee" on both sides to show the reason for the caution.

### 3. **Disqualification**

- (a) When a Judge observes a competitor who fails to comply with Rule 232.2, the Judge shall issue a red card. A red card is that Judge's proposal for disqualification of a competitor.
- (b) Red cards shall be given to the Recorder as soon as possible. If there is no Recorder, the red card shall be given to the Chief Judge. A Judge shall record all proposals for disqualification on the Judge's Tally Sheet.
- (c) When red cards from three different Judges have been sent to the Recorder or Chief Judge on the same competitor, that competitor is disqualified and shall be notified of this disqualification by the Chief Judge or the Chief Judge's Assistant by being shown a red paddle.
- (d) Notification of disqualification shall be given as soon as practicable after the competitor has finished, if it is impractical to notify the competitor of the disqualification during the race. The failure to give prompt notification shall not result in the reinstatement of a disqualified competitor.
- (e) The Chief Judge and, when applicable, the Chief Judge's Assistant, shall use a red paddle for signaling disqualification.
- (f) At International Selection Competitions, the Chief Judge has the power to disqualify a competitor in the last 100m when his/her mode of progression obviously fails to comply with Rule 232.2 regardless of the number of previous red cards the Chief Judge has received for that competitor. A competitor who is disqualified under these circumstances shall be allowed to finish the race. The competitor shall be notified of this disqualification by the Chief Judge or a Chief Judge's Assistant by showing the athlete a red paddle at the earliest opportunity after the athlete has finished the race.
- (g) For Championships and International Selection Competitions, one or more posting boards shall be placed on the course and/or near the finish to keep competitors informed about the number of red cards that have been received by the Recorder or Chief Judge for each competitor. The symbol for each offense shall also be indicated on the posting board.
- (h) Where appropriate equipment is available, computer devices with transmission capability may be used by the judges in communicating proposals for disqualification to the Recorder and the disqualification proposal posting board(s).
- (i) If the Referee is satisfied, on the report of a Judge or Umpire or otherwise, that a competitor has left the marked course thereby shortening the distance to be covered, the competitor shall be disqualified.

## **RULE 231**

## **RACE WALKING OFFICIALS**

Race Walking Officials may be appointed to assist in the administration of the race walking event(s) by administering the disqualification proposal posting board, recording information for the Chief Judge, assisting the Chief Judge and/or other Judges, overseeing and coordinating the functions of the Lap Counters, and performing such other relevant duties as may be required by the Chief Judge or the Meet or Event Director.

### **RULE 232 GENERAL RULES**

1. Article III and Article IV, Sections I and VI, of the Rules of Competition shall be followed unless otherwise provided in this Section V. In the rules of those articles and sections, all forms of the word "run" shall be construed to apply to the corresponding form of "walk."
2. Definition of Race Walking. Race Walking is a progression of steps so taken that the walker makes contact with the ground so that no visible (to the human eye) loss of contact occurs. The advancing leg must be straightened (i.e., not bent at the knee) from the moment of first contact with the ground until the leg is in the vertical upright position.

Disqualification for failure to adhere to the above definition is governed by Rule 230.3.

3. Race Conduct. For all Race Walking events, the following code of conduct must be adhered to:
  - (a) In track races a competitor who is disqualified must immediately leave the track. In road races the disqualified competitor must, immediately after being disqualified, remove the distinguishing numbers that he or she is wearing and leave the course. A competitor, who fails to leave the track or course, as required by this Rule, shall be subject to Rule 145. No finishing time shall be listed in results for any competitor who receives notice of disqualification after the competitor has completed the race.
  - (b) In walks where multiple distances are contested simultaneously, each competitor must declare on the entry form which distance is being entered. Times for other distances (but not placings) are valid only if the competitor finishes the distance entered.
  - (c) A race must have a minimum of three Judges as prescribed in Rule 230.1(e). For record requirements, see Rule 266.
4.
  - (a) Water and/or refreshment stations shall be provided at the beginning and end of the race.
  - (b) For all events up to and including 10km, water only drinking/sponging stations shall be provided at suitable intervals if weather conditions warrant such provision. Mist stations may also be provided, when considered appropriate by the Organizing Committee.
  - (c) For all events longer than 10km, refreshment stations shall be provided every lap. In addition, water only drinking/sponging stations shall be placed approximately

midway between the refreshment stations or more frequently if weather conditions warrant such provision.

- (d) Athletes shall be permitted to provide their own refreshments at refreshment stations. A competitor who receives or collects refreshment from a place other than official stations, except where provided for medical reasons from or under the direction of race officials, or takes the refreshment of another athlete, should, for a first such offense, be warned by the Referee normally by showing a yellow card. For a second offense, the Referee shall disqualify the athlete, normally by showing a red card. The athlete shall then immediately leave the course.

5. Courses and Conditions for Walking Events.

- (a) In Road Championships, the circuit for events of 10km and longer shall be a maximum of 2000m. The circuit for events of less than 10km shall be a maximum of 1250m. No circuit should be shorter than 1000m.
- (b) Race walking events shall be so arranged as to ensure that the entire event is held in daylight or with suitable artificial light.

- 6. All walking events that qualify or advance a competitor to subsequent events must be competitive, race walk only, events that comply fully with race walk Competition Rules.



**SECTION VII  
LONG DISTANCE AND ROAD EVENTS  
(Running and Walking)**

**RULE 240  
COURSE CERTIFICATION**

1. The course used for a competition shall be certified prior to the running of the event unless the course is deemed uncertifiable by the Road Running Technical Council.
2. Definition of course:
  - (a) Path: A running course shall be defined as the streets, roads, paths, marked paths on grass, gravel or dirt, and/or paths using established permanent landmarks or benchmarks which is intended as the runner's path for any type of race; and
  - (b) Shortest possible route: The measured running course shall involve the course noted above and the measurement shall follow the runner's shortest possible legal route.
3. **USATF Certification** - A course may be designated as "USA Track & Field Certified" only if a final signatory national certifier who is approved by the certification chair of the Road Running Technical Council of USATF has determined that the shortest possible route has been measured with reasonably accuracy:
  - (a) Stated distance: Courses meet certification standards if the measurements demonstrate that the course is at least the stated distance. In order to ensure that a course is not short, the measurement must include an addition of 1/1000th of the stated race distance;  
**NOTE:** *Information concerning acceptable methods of measuring courses should be obtained from the Road Running Technical Council of USATF prior to the measurement of a long distance course.*
  - (b) Effective date: Certification is effective as of the date that all measurements and necessary adjustments are submitted as evidenced by the postmark, although the actual review and approval of the certification may be at a later date.

**RULE 241  
MEDICAL AND REFRESHMENT SERVICES FOR ROAD EVENTS**

1. The organizers of road races should provide appropriate medical and refreshment services for all competitors.
  - (a) **Medical examinations** - A hands-on medical examination during the progress of an event by designated medical personnel clearly identified by the organizers shall not be considered assistance.
  - (b) Adequate first aid facilities should be available.
  - (c) A competitor must retire from a race immediately if directed to do so by a duly authorized member of the race medical staff. See Rule 144.9.
2. Drinking / Sparging and Refreshment Stations
  - (a) Water and other suitable refreshments shall be available at the start and finish of all races.

- (b) For all events, water shall be available at suitable intervals of approximately 5km. For events longer than 10km, refreshments other than water may be made available at these points.

**NOTE 1:** *Where conditions warrant, taking into account the nature of the event, the weather conditions and the state of fitness of the majority of the competitors, water and/or refreshments may be placed at more regular intervals along the route.*

**NOTE 2:** *Mist stations may also be arranged, when considered appropriate under certain organizational and/or climatic conditions.*

- (c) Refreshments may include drinks, energy supplements and/or foodstuffs. The Organizing Committee will determine which refreshments it will provide based on prevailing conditions.
- (d) The Organizing Committee may permit athletes to provide their own refreshments, in which case the athlete shall nominate at which stations they shall be made available to the athlete. Refreshments provided by the athletes shall be kept under the supervision of officials designated by the Organizing Committee from the time that the refreshments are lodged by the athletes or their representatives. Those officials shall ensure that the refreshments are not altered or tampered with in any way. In National Championships of 20k and longer, the Organizing Committee shall make provisions for the collection and distribution of personal refreshments for those competing for the championship, as determined by the Games Committee.
- (e) The Organizing Committee shall delineate, by barriers, tables or markings on the ground, the area from which refreshments can be received or collected. It should not be directly in the line of the measured route. Refreshments shall be placed so that they are easily accessible to, or may be put by authorized persons into the hands of, the athletes. Such persons shall remain inside the designated area and not enter the course nor obstruct any athlete. No official shall, under any circumstances, run beside an athlete while he is taking refreshment or water.
- (f) An athlete may at any time carry water or refreshment by hand or attached to his body provided it was carried from the start or collected or received at an official station.
- (g) A competitor who collects refreshment from a place other than a refreshment station is liable to disqualification by the Referee.

## **RULE 242**

### **STARTING A RUNNING EVENT**

1. All competitors are responsible for knowing the starting time of the event(s), for knowing the registration or check-in method utilized at the start (for some or all of the competitors), and for being at the starting line at the appointed time for instructions and the start of the race.
2. Ten to fifteen minutes (or as otherwise specified) before the start of the race, all entries should be closed and the athletes directed to the starting line for final instructions and the start of the race.

3. One or more starting lines may be used in any road race. In the event that more than one starting line is used, it is recommended that the point where the runners converge be at least 800m (1/2 mile) from the starting line.
4. Runners should be seeded according to ability in any race when all of the runners cannot be placed on the starting line.
5. The races shall be started in accordance with Rule 162.5, including the use of a cannon, air horn or like device. The commands and procedures for races longer than 400m, Rule 162.8, shall be used. The method of starting to be used must be explained prior to the start in such a manner that all participants will receive and understand the information. The athletes shall assemble on the start line in the manner determined by the organizers. In races which include a large number of competitors, a five-minute, three-minute and one-minute warning before the start of the race should be given. False starts in road races should not be recalled.
6. The Starter shall report to the Referee any misconduct by any competitor(s) at the start. The Referee shall have the authority to disqualify such competitors.
7. In events using transponder reading devices located on the running surface at the start, at least 15cm of the last device shall be of a color in contrast to the running surface and other parts of the device to indicate the start line. The last device shall be placed so that the edge of the contrasting color closest to the course is the start line. Any additional or backup device shall be placed before the starting line. See Rule 165.15.

### **RULE 243 COURSE MARKING AND MONITORING**

1. Running courses shall be adequately marked at strategic points to keep the competitors on course.
  - (a) Each turn and intersection shall be clearly marked in such a way that there will be no doubt as to the direction the runner should go to stay on course.
  - (b) Distance markers should be located throughout the course. It is recommended that markers be placed at maximum intervals of 3 to 5km or 2 to 3 miles. The spacing of their intervals shall be determined by the Games Committee.
  - (c) The measurement line should be marked along the course in a distinctive color that cannot be mistaken for other markings.
2. Turns and major intersections on the course shall be monitored.
  - (a) Monitors shall always be standing and shall be located at or before the change of direction, not after it occurs on the course.
  - (b) Scorers shall keep a record of the runners and their running times at specific points on the course.
  - (c) Whenever possible, the route of the competition should be free of vehicular traffic or nearly so. All dangerous intersections should be staffed to provide for traffic and spectator control.
  - (d) A lead vehicle should be provided with additional vehicles to assist in monitoring the competition, timing, or other required functions.

- (e) Whenever possible, elapsed times should be displayed or read at various points along the running course for the benefit of the runners and to record such time intervals.
3. Runner's identification shall consist of running numbers pinned securely on the front of each runner's uniform and displayed throughout the race. The registration list will contain each runner's name and running number.
4. Any competitor who has been found by the Referee and/or Jury of Appeal to have gained an unfair advantage by intentionally shortening the route of the race ("cutting the course") shall be immediately disqualified from the competition. See also Rule 163.6.

#### **RULE 244 THE FINISH LINE**

1. The finish should be marked with a line of width 15cm in a color contrasting the running surface and of a material which will adhere to a fixed position on the running surface. The line shall be placed so that the finish of the course is the edge of the line closest to the approaching runners.
2. Should there be an extensive painted design adjacent and prior to the finish line, the exact location of the finish line shall be clearly stated in instructions to all competitors.
3. A tape may be held above and parallel to the finish line and at right angles to the course by individuals who are not serving as judges. The individuals holding the tape shall be positioned so they do not interfere with the view of the judges. This tape is not itself the finish line, but is there only to indicate the approximate location of the actual finish line to approaching runners.
4. In events using transponder reading devices located on the running surface, at least 15cm of the device shall be of a color in contrast to the running surface and other parts of the device to indicate the finish line. The first device shall be placed so that the edge of the contrasting color closest to the course is the finish line. Any additional or backup devices shall be placed beyond the finish line. See Rule 165.15.
5. Races may use separate points along the finish line as the crossing location of the first men's and first women's finishers.
6. Official places and times shall be determined according to Rules 163 and 165. In addition to an authorized finish line imaging system, an officially designated video or photograph may be used to review the order of finish.

#### **RULE 246 SCORING RUNNING EVENTS**

1. The method of team scoring shall be set forth in the entry blank and printed program for the race.
2. Individuals will be scored according to the designated divisions.
3. See Rules 5, 7, 16.9, 20.9 for scoring of Championship races.

## **SECTION VIII CROSS COUNTRY, MOUNTAIN AND TRAIL RUNNING**

### **RULE 250 GENERAL**

1. **Variability** - The varying circumstances in which cross country and mountain running is practiced preclude rigid legislation standardizing this sport. The Rules in this Section are intended as a guide for cross country running and mountain running.
2. **Participation** - Cross country is basically a team sport, but participation is not limited to teams, and individual entries may be accepted.
3. The provisions of Rule 241 shall apply as modified by Rule 253.3 and 254.5.
4. The general rules of Long Distance Running apply unless otherwise modified in this section.
5. The responsibility for providing an acceptable, well-marked course, details of which should appear in the program, rests with the organizing body, which should station umpires or monitors on the course to direct competitors where necessary.
6. If the Referee is satisfied, on the report of a Judge or Umpire or otherwise, that a competitor has left the marked course thereby shortening the distance to be covered, the competitor shall be disqualified.

### **RULE 251 CROSS COUNTRY COURSE**

1. The race shall be run over a course confined, to the extent possible, to open country, fields, parks, golf courses, and grasslands. The traversing of paved roads should be kept to a minimum.
2. The course must be clearly marked, preferably with red flags to indicate a left turn, yellow flags to indicate a right turn and blue flags to indicate continuing straight ahead. All flags must be visible from the point where the runner passes the previous flag, with a maximum interval of 50m. A white chalk line should be marked on the ground the entire route for the athletes to follow. Each kilometer point should be clearly recognizable. The course should be laid out so that there are no sharp turns at the beginning of the course and so that it is not less than 9m (approximately 10 yds.) wide at any point.
3. Courses should be designed so as to avoid very high obstacles, deep ditches, dangerous ascents or descents, thick undergrowth, and, in general, any obstacle which would constitute a difficulty beyond the aim of the competition.
4. It is preferable that artificial obstacles not be used, but if the requirements of the event render them unavoidable, they should be made to simulate natural obstacles encountered in open country. In World Trials competition, barriers simulating those that are planned to be used in the World Championships should be constructed. In races where there are large numbers of competitors, narrow gaps, or other hindrances

that would deny to the competitors an unhampered run, obstacles must be avoided for the first 1500 meters.

5. The race distance must be declared and the course briefly described at the time invitations are extended. For International Selection competitions, the distances should be approximately: Men: 12km, Women: 8km, Junior Men: 8km, Junior Women: 6km.

## **RULE 252**

### **START**

1. Cross country and mountain running races shall be started by the firing of a pistol or other suitable device. The commands for races longer than 400m should be used. See Rule 162.8. However, where a race will be started using a different procedure, such procedure should be clearly conveyed to all competitors either in writing or by public address announcement. A race may be recalled upon a false start or a fall which impacts the field within the first 100m.
2. In races that include a large number of competitors, five minute, three-minute, and one-minute warnings shall be given.
3. Starting boxes shall be randomly assigned by the Games Committee or the Meet Director for each team in team races and the members of each team shall be lined up in an order of their own choosing within their assigned position. In non-team races, the competitors shall be lined up in the manner determined by the Games Committee.
4. The starting area of a cross country course should avoid any significant turns for at least the first 400m. The width of the starting area should be such as to accommodate the competitive field.

## **RULE 253**

### **MOUNTAIN RACING**

1. **Course**
  - (a) Mountain Races take place on terrain that is mainly off-road, unless there is significant elevation gain on the route in which case a macadamized surface is acceptable;
  - (b) Competitors shall not use supplementary aid(s) to assist their progress on course;
  - (c) The profile of the course involves either considerable amounts of ascent (for mainly uphill races), or ascent/descent (for up and down races with start and finish at the same level);
  - (d) The average incline should include a minimum of 5% (or 50 meters per kilometer) and not exceed 20% (or 200 meters per kilometer);
  - (e) The highest point on the course should not exceed 3,000 meters altitude;
  - (f) The entire course shall be clearly marked and include kilometer marks;
  - (g) Natural obstacles or challenging points along the course should be additionally marked;

- (h) A detailed course map must be provided along with a profile using the following scales:

Altitude: 1/10,000 (1cm=100m), Distance: 1/50,000 (1cm= 500m)

## 2. Race Types

- (a) Classic Mountain Races:

For Championships, the recommended distances and total amount of ascent should be approximately:

	Mainly Uphill		Up & down races Distance	
	Distance	Ascent	Distance	Ascent
Senior Men	12km	1200m	12km	600m/750m
Senior Women	8km	800m	8km	400m/500m
Junior Men	8km	800m	8km	400m/500m
Junior Women	4km	400m	4km	200m/250m
Boys (Youth age group)	5km	500m	5km	250m/300m
Girls (Youth age group)	3km	300m	3km	150m/200m

- (b) Long Distance Mountain Races:

Long distance mountain race courses include distances of approximately 20km to 42km, with a maximum elevation of 4,000m. Participants under the age of 18 should not compete at distances exceeding 25km.

- (c) Relay Mountain Races

- (d) Time Trial Mountain Races:

Mountain races with individual start times at various intervals are considered time trials. The results are ordered by the individual finish times.

## 3. Water, Sponging, Refreshment

Water and other suitable refreshments shall be available at the start and finish of all races. Additional drinking / sponging stations may be provided at suitable places along the course, if the length and difficulty of the race and the weather conditions warrant such provision.

### RULE 254 TRAIL RACING

1. Trail Races take place on terrain that is mainly off-road.
2. The entire course shall be clearly marked.
3. Natural obstacles or challenging points along the course should be additionally marked.
4. A detailed course map shall be provided along with a profile using stated scales for both altitude and distance.
5. Water and other suitable refreshments shall be available at the start and finish of all races. Additional drinking / sponging stations may be provided at suitable places along the course, if the length and difficulty of the race and the weather conditions warrant such provision.

**RULE 255**  
**APPAREL**

1. The jersey or singlet worn by the members of a team in cross country shall be basically identical for each member in color and style, and must be clearly visible throughout the race, i.e., worn as the outer garment if other apparel items are worn underneath by one or more team members. Because of the nature of cross country running, the preferences of individual athletes in certain weather situations will allow other apparel items to vary widely without penalty.
2. Individuals not complying with paragraph 1 may be disqualified from scoring for a team.

**RULE 256**  
**FINISH**

1. The finish area for a cross country race should include a final straightaway of at least 200m with clear visibility of the finish line by all runners and clear visibility of the runners by spectators. A straightaway of 400m is preferred. Alternatively, the race may finish with one half or more of a lap on a standard track.
2. The finish line shall be marked both with a solid line (5 to 10cm wide) of contrasting color to the ground placed across the width of the finish area and an overhead banner or other indicator of the finish line. Judges shall be stationed at the finish line to determine the order of finish. Transponder timing shall not be used to determine the final order of finish.
3. Where transponders are not used to determine a preliminary order of finish, a finish chute system of sufficient capacity should be constructed to enable the race officials to hold each runner until the method or methods of scoring are applied. It is recommended that at least two independent systems (e.g., pull tags and recording of competitor numbers) be used to score. At the Open, Junior and Masters Cross Country Championships, three independent systems shall be used, at least one of which shall produce a visual record of the finishers as approved by the Games Committee.
4. Finishers should be recorded and timed according to Rules 163 and 165.
5. See Rule 7 for team scoring.



**ARTICLE V  
RECORDS**

**RULE 260  
WORLD RECORDS**

1. The recognition of World Records is within the jurisdiction of the International Association of Athletics Federations (IAAF). IAAF Rule 260 sets forth the conditions for the recognition of World Records. This Rule 260 is intended only as a helpful summary of some of the important provisions and not as an official source.
2. The following categories of World Records are accepted by the IAAF:
  - (a) World Records
  - (b) World Junior Records
  - (c) World Indoor Records
  - (d) World Junior Indoor Records.
3. World Record Application Forms can be downloaded from the IAAF's web site (<http://www.iaaf.org/downloads/RecAppForms/index.html>). When a World Record is claimed, the application must be completed without delay and forwarded to the National Office of USATF or to the Chair of the Records Committee. If, after due investigation, the Chair of the Records Committee is satisfied that no reasonable doubt exists as to the validity of the record, the Chair shall so inform the Chief Executive Officer of USATF, who shall have the authority to endorse the application and forward the same to the IAAF. If there are grounds for reasonable doubt as to the validity of the record, the Records Chair shall so inform the Chief Executive Officer, and any communication to the IAAF shall disclose those grounds and shall advise that the application shall be reviewed and ruled upon at the next Annual Meeting of USATF.
4. The application must be accompanied by:
  - (a) The printed program of the meet,
  - (b) The complete results of the event,
  - (c) In case of a track record, the photo finish picture and the zero control test where fully automatic timekeeping was the official recorder of the event,
  - (d) The reaction times, where available, shall be provided in all races where a crouch start and the use of starting blocks is compulsory. For records up to and including 400 meters under IAAF Rule 261 and IAAF Rule 263, starting blocks linked to an IAAF-approved false start control apparatus under Rule 161.4 and must have been used and have functioned correctly so that reaction times were obtained.
  - (e) In the case of a field event record, the complete results sheet,
  - (f) In the case of the first application on behalf of an athlete for a Junior record, an official document that confirms the date of birth (a copy of the athlete's passport or birth certificate),

**NOTE:** *Except for the One Mile Run, World Records are recognized only in the metric running events listed in IAAF Rules 261, 262, 263 and 264.*

5. Each athlete who sets a World Record, as per Rule 260.2, shall submit to a doping control at the end of the event, to be conducted in accordance with IAAF Rules and Procedural Guidelines currently in force. The sample(s) collected shall be sent for analysis to a WADA-accredited laboratory and the results sent to the IAAF to be added to other information required for the ratification of the record. If such testing results in a doping violation, or is such testing is not conducted, the IAAF will not ratify this record.
6. Where relevant, the requirements of World Masters Athletics (WMA) shall be complied with to assure appropriate ratification of records recognized by that organization.

### **RULE 261 NATIONAL RECORDS**

1. There shall be six (6) categories of national records as follows:
  - (a) An American Record, which shall be the best performance made by an American citizen or relay team composed entirely of U.S. citizens in an athletics event held within the United States or abroad.
  - (b) An American Junior Record, which shall be the best performance made by an American citizen or relay team composed entirely of U.S. citizens who are Juniors. (See Classifications preceding Rule 1.)
  - (c) An American Masters Record, which shall be the best performance made by an American citizen or relay team composed entirely of U.S. citizens. Separate records may be established for each of the age divisions listed in Rule 320, and such records shall be kept separately for men and women.
  - (d) An All-Comers Record, which shall be the best performance made in the United States by any competitor or relay team.  
NOTE: For American Records and All-Comers Records in Men's and Women's Track and Field and in Men's and Women's Race Walking, there shall also be American Indoor Records and All-Comers Indoor Records.
  - (e) A Masters All-Comers Record, which shall be the best performance made in the United States by any competitor or relay team in any Masters Division.
  - (f) An American Youth Athletics Record, which shall be the best performance made by an American citizen or relay team composed entirely of U.S. citizens in Youth Athletics meets sanctioned by USATF. The record application must include the athlete's current USATF membership number.
2. When a national record is to be claimed, the Association, club, or organization sponsoring or conducting the competition at which the performance was made shall take all necessary steps to have the record applied for, including:
  - (a) Completing and submitting the appropriate record application form. Track and field record applications (including race walking events on the track) should be sent to the National Records Chair or the appropriate sport committee Records Chair. Road record applications and all long distance record applications should

be sent to Andy Carr, Long Distance Running Recordkeeper; c/o Atlanta Track Club; 3097 E Shadowlawn Avenue NE; Atlanta, GA 30305.

- (b) All Masters and Youth Athletics record applications must be accompanied by proof of birth date. Acceptable forms of proof include a birth certificate, passport, certified baptismal record, driver's license, or US government identification or equivalent proof. Letters from civil, military, or academic officials are not sufficient. In Masters Athletics, the birth certificate must be certified and a driver's license is not acceptable.
3. Each athlete who achieves an American Record in any event recognized for a World Record by the IAAF, or in the 5km Road Race, and excluding the Marathon Relay and the 100km, shall submit to a doping control at the end of the event, to be conducted in accordance with IAAF Rules and Procedural Guidelines currently in force. In the case of a relay record, all members of the team shall be tested. The sample(s) collected shall be sent for analysis to a WADA accredited laboratory and the results sent, as indicated in Rule 261.2, to be added to other information required for the ratification of the record. If such testing results in a doping violation, or if such testing is not conducted, USATF will not ratify this record.
4. When an Open or Junior Men's or Women's national track and field record has been equaled or bettered in a USA National Championship, Olympic Trials, or other meet conducted by USATF, or in the Olympic Games, IAAF World Championship, IAAF World Cup, or other meet conducted by the IAAF or sanctioned as a Permit meet by the IAAF, that record may be ratified based on the official results of the meet without the need for a formal record application, pending the outcome of doping control testing. However, an application and/or other appropriate documentation shall be required by the Records Committee whenever it has received information creating some reasonable doubt as to the correctness of the official result.
5. When a Masters Record has been equaled or bettered in a World Masters Association Championship, a USA Masters Indoor or Outdoor Championship, a USA Masters Long Distance Running (LDR) Championship or any event listed in Rule 261.4, that record may be ratified based on the official results of that contested event and the submission of correct age documentation, without the need for a formal record application. However, an application and/or other appropriate documentation may be required by the Records Committee whenever it has received information creating some reasonable doubt as to the correctness of the official result.

**RULE 262**  
**RULES APPLICABLE TO ALL RECORDS**

1. The Records Committee shall investigate every performance submitted for record approval and shall recommend approval or rejection to the appropriate sport committee.
2. No record shall be accepted unless it has first been approved by the appropriate sport committee. No application for a record shall be recommended for approval by the Records Committee unless the committee has received all pertinent required information, as called for by the application or by these rules.

3. Credit for Records:

- (a) No record shall be acceptable unless it is made in a bona fide scratch running competition, or a bona fide handicap or scratch competition in a field event, open to two or more clubs, schools, colleges, or other organizations, which has been fixed and advertised before the day of competition, and which is included in the printed program together with the names of the entrants for the events. A record may be accepted in a handicap race, provided the performance is set in a race in which (1) all competitors start from the same line, (2) no one has started before the competitor claiming the record and (3) the race is timed in accordance with Rule 165.4. At least three competitors, and in relays at least two teams, shall be bona fide and have participated in the event in which the record purportedly was established. In field events, a handicap competition may be combined with the scratch competition. In Men's and Women's Track and Field, Long Distance Running, Race Walking and Masters Track and Field, no record shall be acceptable unless it was made in an event that had been sanctioned by USATF, a member organization of USATF or another member Federation of IAAF by competitors eligible to compete under IAAF Rules.
- (b) For track events over 10,000 meters and road events up to and including the Marathon, multiple events may be contested simultaneously. The athlete must complete the distance entered in order for any intermediate time to be considered as a record.
- (c) For races longer than the Marathon, an athlete may compete at a distance shorter than the stated race distance but longer than the Marathon distance. The athlete shall be eligible for records of any standard distance that is completed, even if the stated race distance is not completed. Similarly, a race director may offer several ultramarathon options within the same race with each being considered a bona fide scratch competition.

**NOTE:** *In meets within allied members of USATF or other recognized organizations, marks made in competition open to two or more athletic organizations may be considered for record listing.*

4. Wind Reading Requirements:

- (a) For all outdoor records up to and including 200 Meters and 200 Meter Hurdles (Youth Athletics) and for the Long Jump and Triple Jump, the component of the wind velocity in the direction of the running shall be measured by an approved mechanism that accurately determines such component. This wind information shall be provided on the record application. A non-mechanical wind gauge is required for any performance submitted for ratification as a World Record. If the average velocity of the wind, measured in the direction of the running behind the competitor, exceeds 2.0 meters per second the record will not be accepted, except in the combined events, as per subparagraph (b) below.
- (b) The conditions for recognizing a Combined Events record shall have been complied with in each of the individual events, except that, in events where wind velocity is measured, the average velocity (i.e., the sum of the wind velocities, as measured for each individual event, divided by the number of such events) shall not exceed plus 2.0 meters per second.

- 5. No record shall be accepted unless the course, distance, or height has been checked with a certified steel tape or bar graduated in centimeters, or by an approved scientific apparatus. In the case of road records, the course must be certified before the race and must meet

certification standards as stated in Rule 240. Those standards may include the requirement of a steel tape measurement.

6. No performance shall be recognized as a record if it has been accomplished in or during a mixed competition of men and women, except as provided in Rule 147 and in track events longer than 10,000 meters or in road races  
**NOTE:** *For Masters exception, see Rule 320.8.*
7. Records made in heats or qualifying trials, in deciding ties, in any event which is subsequently decreed void under the provisions of Rule 125.9, Rule 146.4, Rule 146.5 or Rule 146.6 or in individual events in the combined events, regardless of whether the competitor completes the combined events competition, may be submitted for ratification.
8. In track events of 10,000 meters or less and in field events, when two or more contestants record the same performance during a single competition, each such contestant shall be entitled to the record. In road races or races over 10,000 meters on the track, only winning contestants are entitled to the record.
9. When a competitor is disqualified or otherwise is not entitled to a record performance in that competition, another competitor may be given credit for the same record if he/she was not disqualified and was in all respects (including conformity with the appropriate rules of timing and/or measurement) entitled to such record.

### **RULE 263** **RULES APPLICABLE TO TRACK EVENTS**

1. Outdoor track records may be made only on a track which conforms to Rule 160, with or without a roof, is not banked and is composed of a substance on which normal running spikes can be used. Indoor running and walking records may be made on any type of surface provided it is indoors. Indoor Records may be made on tracks which conform to Rules 211 and 212. Other records may not.
2. No record claimed for any event in which time is taken shall be allowed unless it has been timed in accordance with Rule 165. For manual times, the watches of the Official Timers shall be exhibited to the Chief Timer and/or the Referee for confirmation of the time recorded. Times recorded by approved fully automatic timing devices shall be in accordance with Rule 165.11.
3. When the time taken for a longer distance is better than, or as good as, the record for a shorter distance, the time for the longer distance shall be recognized as the record for the shorter distance.
4. An athlete may set and obtain credit for any number of records in the same race. An athlete shall not, however, be credited with a record at a shorter distance if he or she did not finish the race over the full distance for which the race had been scheduled, except as provided in Rule 262.3(c).
5. For races up to and including the 880yards, only performances timed by an approved fully automatic timing device shall be approved as records.
6. The record for an oval track event must be made in a lane where the running line radius does not exceed 50m, except where the bend is formed with two different radii,

one of which may exceed 50m as long as it does not account for more than 60 degrees of the 180-degree turn.

7. For outdoor records, in track events of 200 meters or longer, the track must not exceed 440 yards in circumference, and the race must have started on some part of the circumference, except in the Steeplechase event where the water jump is placed outside a normal 400m or 440 yd. track.
8. For indoor records, in track events of 200 meters or longer, the oval track may not have a nominal length of more than 201.2m, 220 yards, in circumference. A record performance may be made indoors on an oval track with a nominal length less than 200m provided that the distance run is within permitted tolerance for the distance.
9. No record may be accepted where the runner in a race run in lanes has run on or inside the inner curved border of the lane.
10. (a) Records for 10,000 meters or a shorter distance contested on a track can be set only on a track which either:
  - i. complies with Rule 160.3, or
  - ii. has been measured 20cm from the white line in accordance with Rule 160.2, provided that the curves have been marked with cones or flags complying in size and placement with Rule 160.3.
- (b) Records for distances longer than 10,000 meters may be accepted as track records provided the inside of the track is marked with a white line and with cones or flags complying with Rule 160.3(b).
- (c) Records for distances longer than 10,000 meters made on tracks that do not comply with Rule 160.3 may be accepted as road records provided they meet all the requirements of Rule 265, including those pertaining to course measurement.
11. For Open Men's and Women's relay events, records shall be recognized in two categories. The first shall be for Olympic, Pan American, and National teams officially representing the USA in international competition, and teams composed of US citizens competing in sanctioned domestic or international events. Records shall also be recognized for the same distances established by relay teams representing a single athletic club or school team. However, where the single club or team record is a superior mark, that record alone shall be recognized.

**NOTE 1:** *For Masters relay record requirements, see Rule 332.2(f)*

**NOTE 2:** *Pursuant to IAAF Rules, a World Record in a relay may be made only by a team whose members are citizens of a single member country of the IAAF.*

## **RULE 264**

### **RULES APPLICABLE TO FIELD EVENTS**

1. No record claimed for the Hammer, Discus, Shot, Javelin, or Weight shall be allowed unless it has been made with an implement that complies with the specifications for the official implements adopted by the IAAF and USATF. The implement must be certified as to weight, measurement, and material on the date of and prior to the competition in accordance with Rule 139.2. If the Referee becomes aware during an event that a record has been equaled or bettered, he shall immediately mark the implement used and undertake a check to ascertain whether it still complies with the

Rules or if there has been any change in characteristics. Normally, such implement shall be checked again after the event.

2. Measurements for records in field events shall be made by three field judges, including the Chief Field Judge of that event, under the supervision of the Field Event Referee or Head Field Judge and shall be made using a certified steel tape, certified graduated bar in centimeters or approved scientific measuring device and submitted in meters and centimeters in accordance with Rule 148.
3. When an electronic measurement device is used for a record, the Electronic Measurement Judge for that event shall verify the accuracy of the sighting of the measurement device, read and verify the measurement as displayed on the electronic recording or measurement device, and report the distance to the Chief Field Judge of that event. Three officials which shall include the Chief Field Judge of that event and Chief Electronic Measurement Judge shall verify the mark in the field and the distance as it is displayed on the electronic recording or measuring device and report it to the Field Event Referee or Head Field Judge.
4. The construction of the runway, landing area and/or throwing circle used shall comply with the specifications listed.
5. Records may be credited for more than one performance in a competition, provided that each record so recognized shall have been equal or superior to the best previous performance at that moment.

#### **RULE 265**

#### **RULES APPLICABLE TO LONG DISTANCE RUNNING EVENTS**

1. (a) No non-winning performance in a road race shall be accepted as a record unless it can be verified (independently of the primary timing systems) that a specific time was recorded for that particular runner. If it cannot be verified that such a time was recorded for the runner, the next slower recorded time that can be verified as being recorded after that runner finishes may be assigned to that runner.  
(b) No performance shall be accepted as an Open American record unless it was timed in accordance with Rule 165. Net timing provided by a transponder system shall not be accepted for any record set in road events, except as described in Rule 265.8.
2. A winning performance in a race shall be timed in accordance with Rule 165. The winner of each sex division shall be considered to have a winning performance.
3. For track records at distances longer than 10,000 meters, lap sheets must be kept. Such lap sheets must record the total elapsed time for the record applicant for each lap. Only laps for which a time was recorded will be counted as having been completed. Each time entry must be initialed by the recorder, the lap sheets must be verified and signed by the race director, and a legible photocopy (NOT the original copy) of the lap sheets must accompany the record application.
4. For road records:
  - (a) The course must not have a net decrease in elevation from start to finish exceeding 1 part per thousand (i.e., 1m per km).

- (b) The start and finish of the race must lay no more than 50% of the race distance apart as measured along the straight line between them.
  - (c) For World and National Open Records, the course, measurement and verification shall comply with the provision of IAAF Rule 260.28.
  - (d) For all other records re-measurement may be required if the original measurement has not met criteria established by the RRTC validation chair, approved by the executive committee of the RRTC, and publicly available on the USATF website.
5. For all women's road running records, except Race Walking and Masters records, separate records shall be kept for women-only and mixed competition.
  6. In all events that are defined by time, distances will be measured to the nearest lesser full yard or meter only.
  7. For road records, a complete set of lap sheets must be kept for any event that is run in three or more loops of the same course. The maintenance and disposition of such lap sheets shall be the same as indicated in paragraph 4, above.
  8. Properly rounded net times provided by transponders may be used for American Masters LDR records provided: the competitor wins his/her division as defined for the Masters age groups listed in Rule 320 beginning at age 40 and only including other record eligible competitors; the transponder mat defining the start time is placed completely before the start line; and the transponder mat defining the end time is placed completely after the finish.

**RULE 266**  
**RULES APPLICABLE TO RACE WALKING EVENTS**

1. Race walking performances may be accepted as records only if made in competition limited to race walkers.
2. Separate records shall be kept for track and road courses. Records set on a track shall meet all standards applicable to track running events. Records set on road courses shall meet all standards applicable to road running events, including standards pertaining to the measurement and certification of courses. The maximum circuit length shall be the same as those applicable to Championships. See Rule 232.5(a).
3. For records, track races require five Judges and road races require a minimum of six judges, as prescribed in Rule 230.1(e). At least half of these judges shall have National or higher certification, and at least one of these judges must have Master or IAAF certification.



**RULE 267**  
**EVENTS IN WHICH RECORDS ARE RECOGNIZED**

National records shall be recognized only in the events listed in this rule. The events are set forth here by sport committees.

**MEN'S TRACK AND FIELD**  
**OUTDOOR EVENTS**

100 Meters	1500 Meters	110 Meter Hurdles
200 Meters	2000 Meters	400 Meter Hurdles
400 Meters	3000 Meters	3000 Meter Steeplechase
800 Meters	5000 Meters	1 Mile
1000 Meters	10,000 Meters	
High Jump	Triple Jump	Hammer Throw
Pole Vault	Shot Put	Javelin Throw
Long Jump	Discus Throw	56-lb. Weight Throw
Pentathlon	Decathlon	Weight Pentathlon
400 Meter Relay (4x100)		3200 Meter Relay (4x800)
800 Meter Relay (4x200)		6000 Meter Relay (4x1500)
1600 Meter Relay (4x400)		440 Meter Shuttle Hurdles (4x110)
4 Mile Relay (4xMile)		1600 Meter Sprint Medley Relay *
		4000 Meter Distance Medley Relay *

**\* NOTE:** *The 1600 Meter Sprint Medley Relay order: 400-200-200-800 or 200-200-400-800.*

*The 4000 Meter Distance Medley Relay order: 400-800-1200-1600 or 800-400-1200-1600 or 1200-400-800-1600 or 1200-800-400-1600.*

**INDOOR EVENTS**

50 Meters	500 Meters	3000 Meters
55 Meters	600 Meters	5000 Meters
60 Meters	800 Meters	1 Mile
200 Meters	1000 Meters	50 Meter Hurdles
300 Meters	1500 Meters	55 Meter Hurdles
400 Meters	2000 Meters	60 Meter Hurdles
High Jump	Long Jump	Shot Put
Pole Vault	Triple Jump	35-lb Weight Throw
Pentathlon	Heptathlon	
800 Meters (4x200)		3200 Meters (4x800)
1600 Meters (4x400)		6000 Meters (4x1500)
1600 Meter Sprint Medley Relay*		4000 Meter Distance Medley Relay*

**\* NOTE:** *The 1600 Meter Sprint Medley Relay order: 400-200-200-800 only.*

*The 4000 Meter Distance Medley Relay order: 400-800-1200-1600 or 800-400-1200-1600 or 1200-400-800-1600.*

## JUNIOR OUTDOOR EVENTS

100 Meters	1500 Meters	110 Meter Hurdles
200 Meters	3000 Meters	400 Meter Hurdles
400 Meters	5000 Meters	3000 Meter Steeplechase
800 Meters	10,000 Meters	1 Mile
1000 Meters		
High Jump	Triple Jump	Hammer Throw
Pole Vault	Shot Put	Javelin Throw
Long Jump	Discus Throw	
Decathlon		
400 Meter Relay (4x100)		1600 Meter Relay (4x400)

## JUNIOR INDOOR EVENTS

60 Meters	1000 Meters	60 Meter Hurdles
200 Meters	1500 Meters	1 Mile
400 Meters	3000 Meters	
800 Meters	5000 Meters	
High Jump	Long Jump	Shot Put
Pole Vault	Triple Jump	
Heptathlon		

## WOMEN'S TRACK AND FIELD OUTDOOR EVENTS

100 Meters	1500 Meters	100 Meter Hurdles
200 Meters	2000 Meters	400 Meter Hurdles
400 Meters	3000 Meters	2000 Meter Steeplechase
800 Meters	5000 Meters	3000 Meter Steeplechase
1000 Meters	10,000 Meters	1 Mile
High Jump	Triple Jump	Hammer Throw
Pole Vault	Shot Put	Javelin Throw
Long Jump	Discus Throw	
Heptathlon	Pentathlon	Decathlon
Weight Pentathlon		
400 Meter Relay (4x100)		3200 Meter Relay (4x800)
800 Meter Relay (4x200)		6000 Meter Relay (4x1500)
1600 Meter Relay (4x400)		440 Meter Shuttle Hurdles (4x110)
4 Mile Relay (4xMile)		1600 Meter Sprint Medley Relay *
800 Meter Sprint Medley Relay *		4000 Meter Distance Medley Relay *

\* **NOTE:** The 800 Meter Sprint Medley Relay order: 100-100-200-400 only.

The 1600 Meter Sprint Medley Relay order: 400-200-200-800 or 200-200-400-800.

The 4000 Meter Distance Medley Relay order: 400-800-1200-1600 or 800-400-1200-1600 or 1200-400-800-1600 or 1200-800-400-1600.

## INDOOR EVENTS

50 Meters	500 Meters	5000 Meters
55 Meters	600 Meters	1 Mile
60 Meters	800 Meters	50 Meter Hurdles
200 Meters	1000 Meters	55 Meter Hurdles
300 Meters	1500 Meters	60 Meter Hurdles
400 Meters	3000 Meters	
High Jump	Long Jump	Shot Put
Pole Vault	Triple Jump	20-lb Weight Throw

Pentathlon

800 Meters (4x200)  
1600 Meters (4x400)

3200 Meters (4x800)  
6000 Meters (4x1500)

4000 Meter Distance Medley Relay\*

\* **NOTE:** *The 4000 Meter Distance Medley Relay order: 400-800-1200-1600 or 800-400-1200-1600 or 1200-400-800-1600.*

## JUNIOR OUTDOOR EVENTS

100 Meters	1500 Meters	100 Meter Hurdles
200 Meters	3000 Meters	400 Meter Hurdles
400 Meters	5000 Meters	2000 Meter Steeplechase
800 Meters	10,000 Meters	3000 Meter Steeplechase
		1 Mile
High Jump	Triple Jump	Hammer Throw
Pole Vault	Shot Put	Javelin Throw
Long Jump	Discus Throw	

Heptathlon

Pentathlon

Decathlon

400 Meter Relay (4x100)

1600 Meter Relay (4x400)

## JUNIOR INDOOR EVENTS

60 Meters	1000 Meters	60 Meter Hurdles
200 Meters	1500 Meters	1 Mile
400 Meters	3000 Meters	
800 Meters	5000 Meters	
High Jump	Long Jump	Shot Put
Pole Vault	Triple Jump	

Pentathlon

## MEN'S AND WOMEN'S RACE WALKING OUTDOOR TRACK

3000 Meters	25,000 Meters	100,000 Meters
5000 Meters	30,000 Meters	100 Miles
10,000 Meters	35,000 Meters	1 Hour

15,000 Meters	40,000 Meters	2 Hours
20,000 Meters	50,000 Meters	

### OUTDOOR ROAD

5 km	25 km	50 km
10 km	30 km	100 km
15 km	35 km	100 Miles
20 km	40 km	

### INDOOR TRACK

3000 Meters	10,000 Meters	1 Mile
5000 Meters		2 Miles

### JUNIOR OUTDOOR TRACK

3000 Meters	15,000 Meters	25,000 Meters
5000 Meters	20,000 Meters	1 Hour
10,000 Meters		

### JUNIOR OUTDOOR ROAD

5 km	15 km	25 km
10 km	20 km	

## LONG DISTANCE RUNNING – ALL DIVISIONS

### Track Events

15,000 Meters	100,000 Meters	1 Hour
20,000 Meters	200,000 Meters	2 Hours
25,000 Meters	10 Miles	12 Hours
30,000 Meters	50 Miles	24 Hours
50,000 Meters	100 Miles	

### Road Events

5 km	25 km	10 Miles
8 km	30 km	50 Miles
10 km	50 km	100 Miles
12 km	100 km	12 Hours
15 km	200 km	24 Hours
20 km	1 Mile – Masters Only	Half-Marathon Marathon

### Road and/or Track Events

1000 Miles	48 Hours	144 Hours
------------	----------	-----------

## MASTERS TRACK AND FIELD

1. All events listed in Rule 331
2. All events listed in this rule for Men's Race Walking.
3. Additional event for Indoor Track and Field: Mile.
4. Additional events for Outdoor Track and Field: Mile, 3000 Meters.

**NOTE:** See Rule 320.8 for additional requirements.

## YOUTH ATHLETICS

All events listed in Rule 301

**RULE 268**  
**NOTEWORTHY PERFORMANCES**

1. A performance may be recorded as a "Noteworthy Performance" if so approved by the appropriate sport committee.
2. A performance made indoors on a track measuring more than 220 yards, if otherwise eligible for indoor record listing, and if it is equal to or better than the American or All-Comers Record in such event, may be listed as a Noteworthy Performance, if so approved by the appropriate sport committee.

**ARTICLE VI  
SPECIAL PROGRAMS  
SECTION I  
YOUTH ATHLETICS**

**RULE 300  
GENERAL RULES**

1. (a) Articles I (Section 1) and Articles II-V of the Rules of Competition of USATF and Classifications shall apply to Youth Athletics competition, except to the extent that such rules are in conflict with this Article VI, Section I. If there is a conflict, Article VI Section I shall supersede any other provisions of the USATF Rules. All athletes must be members of USATF to participate in the Association Championship. If the Association starts with preliminary meets, athletes must be USATF members at the preliminary round of competition.

(b) The Track and Field and Cross Country individual programs are divided into six divisions for boys and six divisions for girls. The athlete's year of birth shall determine the division in which the athlete shall compete. With each succeeding year each division shall be adjusted as shown in the table below:

	<b>2015</b>	<b>2016</b>	<b>2017</b>	<b>2018</b>
<b>8 and under Division</b>	2007+	2008+	2009+	2010+
<b>9-10 Division</b>	2005-2006	2006-2007	2007-2008	2008-2009
<b>11-12 Division</b>	2003-2004	2004-2005	2005-2006	2006-2007
<b>13-14 Division</b>	2001-2002	2002-2003	2003-2004	2004-2005
<b>15-16 Division</b>	1999-2000	2000-2001	2001-2002	2002-2003
<b>17-18 Division</b>	1997-1998	1998-1999	1999-2000	2000-2001

(c) Athletes must be at least seven (7) years of age on December 31 of the current year to compete at the Youth Athletics or Junior Olympic National Championship.

(d) Athletes who are still eighteen (18) years of age through the final day of the National Junior Olympic Track and Field Championships shall be eligible to compete in the 17-18 year old division through that meet. This extended eligibility does not apply to cross country events.

(e) Competitors must compete in their own divisions only. No athlete may compete in younger or older divisions in individual, relay, or team events.

(f) In track and field, a competitor in the 8 and under, 9-10 or 11-12 year old divisions may enter a maximum of three events. Competitors in the 13-14, 15-16 or 17-18 year old divisions may enter a maximum of four events. These limitations include relays, but not combined events or road races. Entry in a relay, either as a primary or an alternate member, will be considered an entry for the purpose of this rule.

(g) Participation in Youth Athletics Championships and Junior Olympic programs shall be restricted to United States citizens, aliens living in the United States, and foreign exchange students.

- (h) A Youth Athlete must compete in the Association of residence in which they permanently reside. 'Permanent Residency' is defined as the address of residence of the youth athlete's parent/legal guardian on the day of the close of registration. Proof of residency can be provided by Tax Statements, or utility bills at the place of residency. Youth athletes can compete in their Association of Permanent Residency as an unattached athlete or as a member of a club and represent the said club by wearing a team uniform and participating on a relay. The following are exceptions to this rule:
- i. Athletes that live with one custodial parent/legal guardian in the summer in one Association and another custodial parent/legal guardian in another Association during the school year, shall be considered permanent residents of both Associations. These athletes may choose to only have one membership number under one Association, but will have the right to run with a different club in the residence of summer and have all rights and privileges of that Association. Proof of legal guardianship may be requested for proof of residency. It shall be the sole responsibility of the applying athlete to secure and furnish all necessary documentation to substantiate any request for consideration of an application of this rule.
  - ii. Athletes that have no parent/legal guardian residing in an Association may compete in that Association for 'just cause' with the approval of both the Youth Chair and Membership Chair of both the Association of 'Permanent Residency' and the association of 'Non-Residency'. Non-Residence athletes may not represent a club or wear a club uniform in the Association of 'Non-Residency'.
  - iii. Athletes that have no parent/legal guardian residing in an Association may compete in a bordering Association for 'just cause' with the approval in writing of both the Youth Chair and Membership Chair of both the Association of 'Permanent Residency' and the Association of 'Non-Residency', and placed on file in the National office.
- (i) Proof of date of birth shall be submitted to the athlete's Association immediately after becoming a USATF member. All athletes shall be required to have "Proof of Age Verified" prior to close of registration of the first level of competition, whether it is the Association Championship or the Preliminary Qualifying Meet, and at all Youth Athletics competitions above this level. The form of proof shall be a copy of a birth certificate, passport, certified baptismal record, driver's license, or United States government identification. Where the issuing Association has validated the athlete's competition entry form or membership card with "Proof of Age Verified," or other wording to that effect, the validated entry form or membership card becomes acceptable proof of age. When using on-line registration, "Proof of Age Verified" must be downloaded from the USATF membership data base prior to close of registration of the first level of competition. Letters from school or recreation offices shall not be considered as proof.
- (j) Penalties may be considered by Associations and by the National Athletics Board of Review for participation by an athlete in an improper age division. These penalties may be applied to athletes, coaches, and clubs involved.

- (k) In order to promote participation in Youth Athletics Competition, entry fees should be kept as low as possible. The National Youth Athletics Division may set maximum fees for Youth Athletics competitions at Association, Regional, and National levels.

**2. National Championships -**

- (a) The National meets shall be under the guidance of the Youth Athletics Division through its Chair.
- (b) The Division's Chair or designee shall serve as the Referee at all National meets. The Referee shall be a National or Master certified official.
- (c) The USATF National Junior Olympic Cross Country meet shall serve as the Youth Athletics National Championships.
- (d) In track and field, National Championships shall be contested on a 400 meter track with no fewer than eight lanes and having a raised inner curb in conformance with Rule 160.3(a).
- (e) A finish recording system, as described in Rule 165, producing a photograph or image depicting place and time shall be used for all events contested on the track.
- (f) Approved measuring equipment shall be used to verify the legality of throwing implements to be used in the competition.
- (g) Throwing implements, starting blocks, and relay batons shall be furnished by the meet host.

**3. Association and Regional Championships -**

- (a) The meets shall be under the guidance of the Youth Athletics Division through their respective Youth Chairs (Association Championships) and Regional Coordinators (Regional Championships).
- (b) The Championships shall be contested in accordance with Rules 300.2, (e), (f) and (g). Where possible, the meet should be contested on tracks that comply with rule 300.2(d). However, tracks without a curb may have cones laid out as described in Rule 160.3 provided the track has been measured 20cm from the white line in accordance with Rule 160.2.
- (c) The Association Youth Chair or Regional Coordinator or their designee shall serve as the Referee of their respective meets. The Referee shall be a certified official for Association Championships and a National or Master Certified official for Regional Championships.
- (d) Regional Championships and, whenever possible, Association Championships, shall be fully automatically timed. If the fully automatic timer fails or is not used, all affected meet results shall clearly indicate any times that are not fully automatic.

**4. Region / Associations -**

- 1. Adirondack, Connecticut, Long Island, Maine, New York, and New England
- 2. Mid-Atlantic, New Jersey, Niagara, and Three Rivers
- 3. North Carolina, Potomac Valley, and Virginia
- 4. Florida, Georgia, and South Carolina
- 5. Kentucky, Lake Erie, Michigan, Ohio, and West Virginia
- 6. Alabama, Southern, and Tennessee



7. Illinois and Indiana
8. Dakotas, Iowa, Minnesota, Nebraska, and Wisconsin
9. Arkansas, Missouri Valley, Oklahoma, and Ozark
10. Arizona, Border, Colorado, New Mexico
11. Montana, Snake River, Utah and Wyoming
12. Gulf, South Texas, Southwestern, and West Texas
13. Alaska, Inland Northwest, Oregon, and Pacific Northwest
14. Central California, and Pacific
15. Hawaii, Nevada, San Diego Imperial, and Southern California
16. National Junior Olympics Championship Host Association, the Department of Defense Dependent Schools (DODDS) Europe and Pacific

## **RULE 301 TRACK AND FIELD EVENTS**

The events listed below are included in the National Championships. (Combined events, where different from those described in Rule 200, are held in the event order indicated. Weights of implements are identical to those applicable to individual events in the respective age groups.)

### **8 AND UNDER DIVISION**

100 Meter Dash	1500 Meter Run	Long Jump
200 Meter Dash	4x100 Meter Relay	Shot Put - 2kg
400 Meter Dash	4x400 Meter Relay	Mini Javelin - 300g
800 Meter Run		

### **9-10 DIVISION**

100 Meter Dash	High Jump	Triathlon: Shot Put - 6 lb.
200 Meter Dash	Long Jump	High Jump
400 Meter Dash	Shot Put - 6 lb.	200 Meter - G
800 Meter Run	Mini Javelin - 300g	400 Meter - B
1500 Meter Run	4x100 Meter Relay	
1500 Meter Race Walk	4x400 Meter Relay	

### **11-12 DIVISION**

100 Meter Dash	80 Meter Hurdles - 30"	4 x 800 Meter Relay
200 Meter Dash	Long Jump	Pentathlon: 80m Hurdles
400 Meter Dash	High Jump	Shot Put - 6 lb.
800 Meter Run	Shot Put - 6 lb.	High Jump
1500 Meter Run	Discus -1kg	Long Jump
3000 Meter Run	Mini Javelin - 300g	800 Meter Run - G
1500 Meter Race Walk	4 x 100 Meter Relay	1500 Meter Run - B
	4 x 400 Meter Relay	

### **13-14 DIVISION**

100 Meter Dash	4 x 800 Meter Relay	Discus -1kg
200 Meter Dash	100 Meter Hurdles - B-33"	Pole Vault
400 Meter Dash	100 Meter Hurdles - G-30"	Javelin - 600g
800 Meter Run	200 Meter Hurdles - 30"	Pentathlon: 100m Hurdles
1500 Meter Run	High Jump	Shot Put - B 4kg, G 6 lb.
3000 Meter Run	Long Jump	High Jump
3000 Meter Race Walk	Triple Jump	Long Jump
4 x 100 Meter Relay	Shot Put - B-4kg	800 Meter Run - G
4 x 400 Meter Relay	Shot Put - G-6 lb.	1500 Meter Run - B

### 15-16 DIVISION

100 Meter Dash	4 x 400 Meter Relay	Triple Jump
200 Meter Dash	4 x 800 Meter Relay	Shot Put - B-12 lb., G-4kg
400 Meter Dash	110 Meter Hurdles - B-39"	Discus - B-1.6 kg, G-1kg
800 Meter Run	100 Meter Hurdles - G-33"	Javelin - B-800g, G- 600g
1500 Meter Run	400 Meter Hurdles - B-36"	Hammer - B-12lb., G-4kg
3000 Meter Run	400 Meter Hurdles - G-30"	Decathlon - B
2000 Meter Steeplechase	High Jump	Heptathlon - G
3000 Meter Race Walk	Pole Vault	
4 x 100 Meter Relay	Long Jump	

### 17-18 DIVISION

100 Meter Dash	4 x 400 Meter Relay	Triple Jump
200 Meter Dash	4 x 800 Meter Relay	Shot Put - B-12 lb., G-4kg
400 Meter Dash	110 Meter Hurdles - B-39"	Discus - B-1.6 kg, G-1kg
800 Meter Run	100 Meter Hurdles - G-33"	Javelin - B-800g, G- 600g
1500 Meter Run	400 Meter Hurdles - B-36"	Hammer - B-12lb., G-4kg
3000 Meter Run	400 Meter Hurdles - G-30"	Decathlon - B
2000 Meter Steeplechase	High Jump	Heptathlon - G
3000 Meter Race Walk	Pole Vault	
4 x 100 Meter Relay	Long Jump	

## RULE 302 REGULATIONS AND SPECIFICATIONS

### 1. General

No athlete may be advanced in the competition without having successfully qualified through required qualification rounds.

### 2. Track Events

- (a) In one-day meets at the Association level, all events equal to or longer in distance than 200 meters may be run as timed finals.
- (b) The Games Committee may elect, in events of 800 meters and longer, and all relays, to use a qualification method based upon place and time in order to eliminate qualification rounds beyond one.
- (c) In Association and regional meets where all rounds are held on one day, and the competitors in the 100, 200, or hurdles advance directly to a final, the final may be run at the time of the scheduled preliminary.
- (d) For the 8 and under, 9-10, 11-12 and 13-14 year old divisions, no penalty shall be imposed for the first false start, but the Starter shall disqualify the offender or offenders for the second false start. False starts are called on individuals, not on the field.

**NOTE:** 15-16 and 17-18 year old age divisions follow Rule 162.13.

- (e) Starting blocks: Athletes in the 15-16 and 17-18 year old divisions shall, in accordance with Rules 161, be required to use starting blocks and a crouch position for all events up to and including the 400 Meter Runs and the first leg of all relays where that leg does not exceed 400 meters. For athletes in the 8 and under, 9-10, 11-12 and 13-14 year old divisions, the general rules regarding the

use of starting blocks and stance are waived; the use of starting blocks and stance is within the discretion of the competitor.

- (f) In sprint relays, the outgoing runners may place a suitable material as determined by meet management on the track. If other than adhesive tape, then it must be made clear in the meet information (passport) and meet management must supply the suitable material to be used to all teams.
- (g) The "honest participation" rule provided in Rule 142.3 and .4 shall not be applicable to Youth Athletics.
- (h) Whenever possible, and especially at Regional and National meets, lane staggers with one competitor per lane shall be used as follows:

800m Run, 4x800m Relay	One-turn stagger
4x400m Relay	Three-turn stagger

### 3. **Relays**

- (a) The procedure for entering a relay is given in the Youth Guide. Failure to comply with the procedure may result in disqualification.
- (b) A Relay team shall consist of four (4) members.
- (c) Participation of relay teams shall be limited to those clubs that hold a valid club membership in USATF.
- (d) All participants shall wear a top of the same color. At Regional and National Championships, all participants shall wear a top of a same color as well as shorts of a same color. The Games Committee shall assign an individual to review colors of team uniforms in the clerking area.
- (e) An athlete may drop an individual event to compete on a relay as long as the athlete has not competed in any round of that event. A 'no show' does not constitute a drop in that event. A change form must be submitted at registration 1 hour prior to the scheduled start of the event being dropped.

### **Youth Athletics Nationals and Junior Olympics**

- (f) Any athlete entered and listed in the USATF membership database with the club in the same division/sex is eligible for that relay team roster. The deadline for membership entry is the entry deadline of the meet, whether it is the Association championship or preliminary meet, as specified in the entry material but not later than the first (1st) round of competition.
- (g) Relay team entry requires a minimum of 4 and a maximum of 6 listed eligible athletes.
- (h) All competitors listed on the official on-line roster are eligible to compete if they are entered in the meet in individual events or other relays. If an individual is not entered in the meet by either of the above methods stated above, that individual shall be entered in the on-line entry as 'other' in the event section. An additional cost equal to the cost of a single event entry may be charged for each member entering by this method.

### 4. **Hurdle and Steeplechase Specifications**

- (a) Hurdle specifications are as follows:

OUTDOOR EVENTS						
Division	Distance	Hurdles	Height	To First	Interval	To Finish
11-12 GB	80m	8	30"	12m	7.5m	15.5m
13-14 Girls	100m	10	30"	13m	8.0m	15.0m
13-14 Boys	100m	10	33"	13m	8.5m	10.5m
15-16/17-18 G	100m	10	33"	13m	8.5m	10.5m
15-16/17-18 B	110m	10	39"	13.72m	9.14m	14.02m
13-14 B&G	200m	5	30"	20m	35m	40m
15-16/17-18 G	400m	10	30"	45m	35m	40m
15-16/17-18 B	400m	10	36"	45m	35m	40m

INDOOR EVENTS						
Division	Distance	Hurdles	Height	To First	Interval	To Finish
11-12 GB	50m	4	30"	12m	7.5m	15.5m
11-12 GB	55/60m	5	30"	12m	7.5m	13m/18m

(b) The Steeplechase distance for 15-16 and 17-18 year old Divisions is 2000 meters.

**NOTE:** For steeplechase course and hurdle specifications, see Rule 169.2 and Rule 169.3.

## 5. Field Events

- (a) Measurements shall be in accordance with the general rules of competition of USATF.
- (b) The horizontal jumps and throws may be contested using flights. Flights will be composed on the basis of the submitted qualifying marks and shall be arranged with the highest qualifying flight competing last.
- (c) At meets other than Association, Regional and National Championships the Games Committee may use a four-attempt rule in lieu of three preliminary and three final attempts for finalists in the horizontal jumps and throws. Use of the four-attempt option must be stated prior to the beginning of the competition.
- (d) In the Long Jump, more than one take-off board may be used between 1m and 4.5m behind the landing area. In the triple jump, more than one take-off board may be used between 7 and 13m from the landing area. (Suggestions: 15-16/17-18 Boys at 10m; 15-16/17-18 Girls at 8m; 13-14 Boys and Girls at 7m). The take-off board may consist of material other than wood. More than one take-off board may be used with an indicator (such as orange cones) placed at both sides of the take-off board. Each jumper must declare prior to each jump which board he/she will use.
- (e) In the Shot Put, Discus, and Hammer a 34.92 degree sector shall be used. See Rule 187.22.
- (f) The number of spikes and/or cleats on shoes for the javelin shall not be limited where the runway has a natural or Astroturf-type surface.
- (g) Privately owned javelins shall be exempt from the loss-of-identity rule (Rule 187.10).

- (h) In the Javelin Throw, the measurement of the throw shall be made from the nearest edge of the first point of contact made by the javelin in the sector to the inside circumference of the arc or foul line, measured along a line from the contact point of the tip, tail, or grip to the center of the circle of which the arc is a part.
- (i) In order to stage a Youth Athletics hammer or discus competition a protective cage is required (see Rule 190). If there is no cage or the cage is in such condition that it is not considered safe by the appropriate referee or his designee, then the events shall not be held.
- (j) In the High Jump and Pole Vault an athlete may be assisted in establishing the location of marks prior to the start of competition. Rule 181.3 will apply, except that no more than three marks may be used, and such marks cannot exceed 3 inches in length.
- (k) In the Pole Vault, a pole vault box collar pad complying with ASTM F2949-12 shall be used.
- (l) In the Pole Vault, movement of the uprights, Rule 183.1(a), shall be limited to the area between 45cm and 80cm from the stop board in the direction of the landing surface.
- (m) The practice of “tapping” (physically assisting) vaulters during their warm-ups is prohibited.
- (n) A competitor shall not use a training pole, a pole which is improperly marked or a pole rated below his/her weight during warm-up or competition. Prior to warm-up, the field event Referee or designee shall inspect each pole to be used in competition to verify that the poles are legal equipment. The competitor’s weight shall be at or below the manufacturer’s pole rating. It is the responsibility of the coach or parent to verify the competitor will use a legal pole rated at or above his/her weight.

**NOTE:** *The manufacturers shall include on each pole a pole rating that shall be a minimum of 3/4 inch in a contrasting color located within or above the top hand hold position with the position being determined by the manufacturer.*

- (o) In the National Youth Athletics Championship and the National Junior Olympics Championship the starting heights in the High Jump and Pole Vault shall be 10cm and 30cm, respectively, below the Youth Outdoor Performance Standard established by the Youth Athletics Division at the USATF Annual Meeting. In the Regional Junior Olympics Championships the starting heights in the High Jump and Pole Vault shall be 20cm and 60cm, respectively, below the Youth Outdoor Performance Standard. Increment increases in all stated Championships shall be 5cm in the High Jump and 15cm in the Pole Vault.
- (p) When a High Jump or Pole Vault competitor is excused to participate in a running event, a reasonable time limit shall be established by the Games Committee or delegated to the affected Field Event Judge. If the competitor has failed to return in the allotted time, and all other remaining competitors have passed, failed or cleared the existing height, the crossbar shall be raised to the next height and the judge will automatically pass the excused competitor to the new height.

- (q) When a Horizontal Jumps or Throws competitor is excused to participate in a running event, no time limit shall be imposed on the excused competitors, except that the competitor must return before the conclusion of all other preliminary attempts if excused during the preliminaries, or before the conclusion of all other final attempts if excused during the finals. Failure to return within the allocated period shall result in forfeiture of missed attempts. In both the preliminaries and the finals, the head event judge may allow attempts to be taken in succession before a competitor is excused, and make-up attempts may be taken in succession and out of order upon legally returning to the event.
- (r) In the High Jump and Pole Vault, a competitor who has passed three consecutive heights after the competition has begun may be permitted a warm-up jump without the crossbar in place. One such jump may be taken for each three passed heights and shall be taken as earned, not cumulatively.
- (s) At the National Junior Olympic Championship, when the field of pole vault competitors is reduced to 50% of the original number of vaulters, a 20 minute warm up period may be allowed for all remaining competitors who have not yet entered the competition. No cross bar will be allowed during the warm up period. After the 20 minute period, any athlete who has passed three consecutive increments will be allowed one run through, without the bar, at the height at which they enter the competition.

## 6. **Combined Events**

- (a) Rule 200 shall be followed unless otherwise provided herein.
- (b) Boys hurdle races shorter than 110 meters are scored from the men's 110 Meter Hurdles tables. Girls hurdle races shorter than 100 meters are scored from the women's 100 Meter Hurdles tables. Times for the 11-12 Boys' 80 Meter Hurdles shall be multiplied by 1.13 prior to entering the tables; for the 11-12 Girls' 80 Meter Hurdles, multiply by 1.07.
- (c) It is suggested that even-numbered lanes be used for hurdle events.
- (d) The increments for the Pole Vault will be 15cm and the High Jump 5cm. A warm-up jump will be permitted without the crossbar in place at the height the athlete is entering the competition.
- (e) The heptathlon must be contested over two days.
- (f) If groups are drawn in accordance with Rule 200.5, these groupings shall continue throughout the competition unless the Referee shall believe it desirable to rearrange any group or groups.
- (g) In the 800 meter run, the maximum number per heat shall be 12. When the number of competitors exceeds the number of lanes, the excess competitors shall share the even-numbered lanes starting from lane 8 working into lane 2. In the 1500 meters, the maximum number per heat shall be 24.
- (h) At the National Junior Olympic Championship, when more than one flight is required in the Long jump, Shot Put, Discus and Javelin, a minimum of 20 minutes should be allowed between flights.

**RULE 303  
REGULATIONS FOR LANES AND HEATS**

1. The method of advancement in all meets shall be published prior to the start of the meet. Any changes to the printed method shall be announced prior to the competition. Heats shall be formed according to the following regulations:
  - (a) The declared contestants will be assigned to preliminary heats in the order in which their names are listed on the performance list, working from left to right and then right to left. The only exception is when this procedure would cause unequal distribution of members from the same club. In this event, the slower athlete should be moved to another heat, interchanged with a competitor with the nearest comparable time as listed in that heat.
  - (b) In events run entirely or partially in lanes, only one participant shall occupy a lane, except as provided in (c), below.
  - (c) The 800 Meters and the 4x800 Meter relay shall be run with a one-turn stagger. The maximum number in all heats prior to the final shall be 12. When the number of competitors exceeds the number of lanes, the excess competitors shall share the even-numbered lanes starting from lane 8 and working into lane 2. Eight (8) competitors (9 on a 9-lane track) shall advance to the final of the 800 Meters. At Association and Regional meets, timed finals may be run with no more than 12 per section.
  - (d) At the National Youth Athletics and National Junior Olympics Championship in the 8 and under, 9-10 and 11-12 divisions, the 800 Meter Run, without regard to the number of athletes entered, shall be contested as two rounds with the top 8 times advancing to the final.
  - (e) In the 8 and under, 9-10 and 11-12 divisions, events of 1500m and longer shall be contested as timed finals, with no more than 18 participants per section.
  - (f) In events of 2000m or longer, timed finals shall be run with no more than 24 participants per section.
  - (g) In forming heats for events run partially or entirely in lanes where hand timing is used, the guidelines in Rule 166.1 through Rule 166.5 shall be followed.
  - (h) When fully automatic timing (FAT) is used, the following table may be used:

<b>FOR EIGHT LANES FAT ONLY</b>					
<b>Entries</b>	<b>Trial Heats</b>	<b>Qualifying to Semi-Final</b>	<b>Semi-Finals Heats</b>	<b>Qualifying to Final</b>	<b>Final</b>
1 to 8	0	-	0	-	1 to 8
9 to 16	0	-	2	3 + next 2 best times	8
17 to 24	0	-	3	2 + next 2 best times	8
25 to 32	0	-	4	1 + next 4 best times	8
33 to 40	0	-	5	1 + next 3 best times	8
41 to 48	6	2 + next 12 best times	3	2 + next 2 best times	8

49 to 56	7	2 + next 10 best times	3	2 + next 2 best times	8
57 to 64	8	2 + next 8 best times	3	2 + next 2 best times	8
65 to 72	9	2 + next 6 best times	3	2 + next 2 best times	8
73 to 80	10	1 + next 14 best times	3	2 + next 2 best times	8
81 to 88	11	1 + next 13 best times	3	2 + next 2 best times	8

<b>FOR NINE LANES FAT ONLY</b>					
<b>Entries</b>	<b>Trial Heats</b>	<b>Qualifying to Semi-Final</b>	<b>Semi-Finals Heats</b>	<b>Qualifying to Final</b>	<b>Final</b>
1 to 9	0	-	0	-	1 to 9
10 to 18	0	-	2	3 + next 3 best times	9
19 to 27	0	-	3	2 + next 3 best times	9
28 to 36	0	-	4	1 + next 5 best times	9
37 to 45	0	-	5	1 + next 4 best times	9
46 to 54	6	3 + next 9 best times	3	2 + next 3 best times	9
55 to 63	7	3 + next 6 best times	3	2 + next 3 best times	9
64 to 72	8	2 + next 11 best times	3	2 + next 3 best times	9
73 to 81	9	2 + next 9 best times	3	2 + next 3 best times	9
82 to 90	10	2 + next 7 best times	3	2 + next 3 best times	
91 to 99	11	2 + next 5 best times	3	2 + next 3 best times	

- (i) The following procedure shall be used in forming heats:
- i. Weigh place first.
  - ii. Weigh time second.
  - iii. Seed each group of place winners as a unit by their times. Seed winners, then seed second places, etc. Work left to right, then right to left.
  - iv. If members from same club cause unequal distribution, adjust per Rule 303.1(a).
  - v. If all heats do not have an even number of competitors, draw by lot to an assigned heat.
  - vi. Heat order is drawn by lot.
- (j) The following procedure shall be used in assigning lanes:
- i. In the first round, lanes will be drawn by lot.
  - ii. For all other rounds, three draws will be made:



- a. The first draw is for those preferred lanes as determined by the Games Committee, for a number equal to and not exceeding one-half the number of lanes used, for the highest ranked competitors in the race based on the ranked list for forming heats for the round.
  - b. The second draw is for those preferred lanes as determined by the Games Committee, for a number equal to and not exceeding one-half those competitors remaining after the first draw.
  - c. The third draw is for the remaining competitors in the race and the remaining lanes.
- (k) Where other than eight or nine lanes exist, modify procedures as appropriate.
2. Unless otherwise provided by the Games Committee:
  - (a) Whenever the number of entries or scratches reduces the number of actual participants in any heat or round of heats so as to eliminate the element of competition or creates a situation whereby the number of heats can be reduced, the Referee or designee shall redraw in the best interest of the competition.
  - (b) In the Association or Regional Championship, whenever the number of competitors reporting for an event makes heats, as required in this Rule, unnecessary, the event may be run as a final at the time in the program so scheduled for the heats.
3. In the event that under paragraph 1(h), for those qualifying for succeeding rounds by method of best times, a tie causes more qualifiers than available lanes, the Referee shall determine if a run-off among those affected shall be conducted. If no run-off is conducted, those affected are eliminated.
4. In the National Youth Athletics Championships, events of 100 meters to 800 meters inclusive, and relays up to and including the 4 x 400 meters, the fastest eight times from the preliminary round shall advance to the finals.
5. At the Association-level meet, if the Games Committee determines that there are an insufficient number of seed times and/or a majority of the times submitted are believed to be inaccurate, the following procedure may be used in the interest of fair competition:
  - (a) For preliminary rounds only, both heat and lane assignments shall be drawn by lot. Advancement from the preliminary round shall be done by time without consideration of place.
  - (b) All other rounds, including timed finals, will adhere to the established rules for forming heats and advancement.
6. **National Youth Indoor Championship** - For all running events from 55m through 400m, there will only be two rounds of competition. The eight fastest times shall advance from the first round to the final in all 15-16 and 17-18 age divisions.

**RULE 304**  
**NATIONAL CROSS COUNTRY PROGRAM**

1. **General** - The Youth Athletics Division shall conduct cross country for all divisions in the USATF Youth Athletics program. Divisions shall be as set forth in Rule 300.1(b). National Championships may be conducted as directed by the Cross Country Subcommittee upon approval of the Youth Athletics Division
2. **Distances** - The 8 and under division shall run approximately 2km. The 9-10 and 11-12 divisions shall run approximately 3km. The 13-14 division shall run approximately 4km. The 15-16 and 17-18 divisions shall run approximately 5km.
3. **Course** -
  - (a) The course must be clearly marked, preferably with red flags to indicate a left turn, yellow flags to indicate a right turn and blue flags to indicate continuing straight ahead. All flags must be visible from a distance of 125m.
  - (b) There shall be no turn within 400m of the start. The running path shall be wide enough to allow several runners abreast during most, if not all, of the distance.
4. **Placing** - Computerized transponders may be used to record the finish place of a runner in cross country. A bib transponder or two transponders per runner, one attached to each shoe or foot, must be used. With this condition, the finish place recorded by the chip system shall be the official order of finish for the runners in the competition. The referee has the authority to rule on matters of a timing irregularity or other irregularities.
5. **Scoring** - A team shall be composed of from five to a maximum of eight members. Team scoring shall be by place, in accordance with Rule 7. Team scoring is divided into five divisions for boys and five divisions for girls. The athlete's year of birth shall determine the division in which the athlete shall compete. With each succeeding year each division shall be adjusted as shown in the table below:

**Cross Country Team Scoring Divisions**

<b>Division</b>	<b>2015</b>	<b>2016</b>	<b>2017</b>
8 and Under	2007+	2008+	2009+
9 – 10	2005-2006	2006-2007	2007-2008
11 – 12	2003-2004	2004-2005	2005-2006
13 – 14	2001-2002	2002-2003	2003-2004
15 – 18	1997-2000	1998-2001	1999-2002

6. **Uniform** - See Rule 253.
7. **Competition Numbers** - Competition numbers shall be worn chest-high in front.

**RULE 305**  
**JUNIOR OLYMPICS PROGRAM**

1. **General** -
  - (a) The Youth Athletics Division shall conduct the Junior Olympics athletics program of USATF. Junior Olympic meets shall be solely sanctioned and conducted under the aegis of USATF and its procedures. There shall be no dual sanctioning of Junior Olympic meets of USATF.

- (b) All of the competitions shall be conducted exclusively under the auspices of USATF. ("Exclusive USATF auspices" means that direction, publicity, promotion, rules, and awards must be entirely USATF.)
- (c) There will be competition for boys and girls in preliminary meets and in Association, Regional and National Championships in age divisions by year of birth. Events and age divisions are the same as for the regular USATF Youth Athletics National Championships program.
- (d) An Association is allocated, by agreement with other Associations in its Region, a certain number of athletes and relay teams from the Association level to the Regional level through the Association Championships.
- (e) The Youth Athletics Executive Committee may advance any athlete into the National Junior Olympics meet because of extraordinary circumstances. The request must be made through the Regional Coordinator in writing, who must submit it to the Youth Athletics Chairperson.
- (f) With the approval of the Association, athletes who miss their Association Championships because of extraordinary circumstances may be advanced to the Regional meet so long as such advancement does not displace an athlete who competed in the Association meet and does not exceed the Association's allocation to the Regional meet.

**2. Track and field qualifying procedures -**

- (a) An athlete can miss the Association Championship but not the Regional Championship, because of participation in a USATF cultural exchange trip. These exceptions must be worked out with the athlete's Regional coordinator before the meet takes place.
- (b) Athletes who compete in the Junior National Championships, World Youth Track and Field Trials, United States Olympic Selection Competition, Youth Olympic Games Trials-Track & Field or any additional event authorized by the National Youth Executive Committee may be entered in the National Junior Olympic meet without having to compete in the Association or Regional meet provided that they meet the Youth Athletics age limits. Acquisition of the waiver and completion of the entry to the National meet must be made prior to the Regional meet via the Regional coordinator.
- (c) Athletes from the Department of Defense Dependent Schools (DODDS) may be entered in the National Junior Olympic Championship without having to compete in a Regional meet, provided that they meet the Youth Athletics age requirements. They must enter through the Association hosting the National Junior Olympic Championship.
- (d) Track and field shall advance five individuals and five relay teams from each Regional to National. These shall be the top five finishers in each event. The combined events shall advance the top two placed individuals and any others who meet a performance standard at the Regional Championship. The performance standard for all events is the average of the 8th place in the last three National Junior Olympic Championships. The host Association shall qualify a like number.

- (e) An Association shall be allowed to advance alternate(s) from the Association to the Regional level, subject to the Association's filing deadline for the Regional meet.
- (f) Athletes who tie for fifth place at the Regional Track and Field meet shall be advanced to the national Junior Olympic Championships.

3. **Cross country qualifying procedures –**

Where an Association holds preliminary meets, these will serve as qualifiers for its Championships; Association Championships are qualifiers for Regional Championships, and the Regionals are qualifiers for the Nationals.

- (a) It is suggested that 30 individual and five teams advance from preliminary meets to Association meets and a like number of individuals and teams advance from Association meets to Regional meets. These numbers may be adjusted by the Association chair and Regional coordinator respectively for the purpose of accommodating their local situations.
- (b) Teams must represent current USATF member clubs; and athletes representing clubs must be registered members of said clubs prior to participation in their Association Championships.
- (c) All members of the same club listed on the team declaration roster at the Association finals are eligible to compete on the club's team (minimum of 5, maximum of 8) in the next round of Qualifications up to and including the National Championships as long as the team qualifies. In order to declare a team, a club must enter a minimum of 5 and a maximum of 8 athletes by the entry deadline. The composition of the team at each round can change if you submit a change form at the registration at packet pickup at least 2 hours prior to the race and any athlete changed must be listed on the declaration roster.
- (d) Advancement to the National Junior Olympic Cross Country Championship shall be by Association Championship to Regional Championship to National Junior Olympic Cross Country Championship, except a region, for a good cause and by a majority vote of the Associations in the region, may provide for advancement directly from the Association Championship to the National Championship. Qualifiers for the National Championship shall be as follows: 1) Region: The top five teams and the top 30 individuals; 2) Association: The top two teams and the top 15 individuals.
- (e) The number of qualifiers from Regional meets is fixed and no alternates may advance. Individuals finishing in the top 30 places and who are also members of the qualifying teams are not displaced so that additional finishers beyond thirtieth may not advance. Any team may advance if it has five or more individuals placing in the top 30 in the Regional meet. No team finishing beyond fifth place may advance based solely upon any of the first five teams' choosing not to advance.
- (f) Athletes who compete in their state high school or collegiate championship series may be advanced into their Regional if their Association meet date is in conflict with their school competition. Conflict means both meets are held within 48 hours of the other. A Team may also be advanced provided that all alternates listed on the declaration Roster were also in conflict with the school competition; therefore, not

having a minimum of 5 athletes to participate. This Roster must have been submitted by the Registration Deadline of the Association meet and no additional names can be added. The final decisions on the granting of this waiver will be made by the Regional coordinator.

4. The entry information procedure and awards information can found in the Youth Guide.

### **RULE 306 SPECIAL EVENTS AND PROGRAMS**

1. **General -**

- (a) The National Youth Athletics Division may supplement existing programs with any approved event it deems in its best interest.
- (b) The Youth Athletics Division shall determine the method and/or the number of qualifiers in special events and programs and list that information in a guide designed to serve such event or program.

2. **Pilot Programs or Competitions -**

- (a) Regional Youth Athletics indoor meets may be held and shall be awarded by those Association delegates represented in each Youth Athletics Region.
- (b) The National Youth Athletics Division may adopt other pilot programs in Track and Field, Race Walking, Cross Country, or Long Distance Running.

**SECTION II  
MASTERS ATHLETICS**

**RULE 320  
GENERAL RULES**

1. Articles I through VII of the Rules of Competition of USATF shall be followed unless otherwise provided in this Article VI, Section II (including Sections II-A and II-B).
2. There shall be the following age divisions for individual competition (five-year age groups):

<b>AGES</b>	<b>MEN</b>	<b>WOMEN</b>
30-34	M30	W30
35-39	M35	W35
40-44	M40	W40
45-49	M45	W45
50-54	M50	W50
55-59	M55	W55
60-64	M60	W60
65-69	M65	W65
70-74	M70	W70
75-79	M75	W75
80-84	M80	W80
85-89	M85	W85
90-94	M90	W90
95-99	M95	W95
100+	M100	W100

3. (a) There shall be the following age divisions for (five-year age groups) for relay events which are contested at WMA World Championships (4x100 relay and 4x400 relay outdoor, 4x200 indoor).

<b>AGES</b>	<b>MEN</b>	<b>WOMEN</b>
30+	M30	W30
35+	M35	W35
40+	M40	W40
...	...	...
85+	M85	W85
90+	M90	W90

- (b) There shall be the following age divisions for team and all other relay competition (ten-year age groups):

<b>AGES</b>	<b>MEN</b>	<b>WOMEN</b>
30+	M30	W30
40+	M40	W40
...	...	...
80+	M80	W80
90+	M90	W90

4. The age of a competitor on the first day of the meet determines the competitor's division for individual events.

5. The age on the first day of a meet of the youngest member shall determine the age division of a team in a team event or relay.
6. The age division of an individual is not affected by the age division of a team or relay for which the individual competes.
7. The Meet or Race Director shall have the authority to request proof of age and/or a medical certificate attesting to the competitor's physical ability to compete. In addition, each competitor shall sign a "hold harmless" release.
8. A mixed event containing male and female participants is allowed. Masters records may be made in mixed age and/or mixed sex competitions.

**SECTION II-A  
MASTERS TRACK AND FIELD AND RACEWALKING**

**RULE 330  
GENERAL RULES**

1. Rules 330 through 333 apply to National, Regional, and Association Masters Championships. Meet Directors of non-championship events are also encouraged to follow these rules.
2. The Masters Track and Field Committee shall conduct and supervise a program for track and field and race walking for all athletes over the age of 35. The committee may conduct Championships for athletes aged 30 through 34.
3. In all National, Regional and Association Masters Championships, there must be a full complement of individual events, by five-year age divisions, for both men and women. There shall be a minimum of three prizes per division for US citizens in each event. In the National and Regional Outdoor Championships, ribbons or equivalent are recommended for US citizens in places 4-6. In all National Championships, duplicates for all awards shall be provided for non-US citizens who place 1-6. In Regional Championships, equivalent awards shall be provided for non-residents who place 1-6.

**RULE 331  
MASTERS TRACK AND FIELD CHAMPIONSHIPS**

1. The standard Championship events are:
  - (a) National Indoor Track and Field  
60 Meters, 200 Meters, 400 Meters, 800 Meters, 1500 Meters, 3000 Meters, 60 Meter Hurdles, 800 Meter Relay, 1600 Meter Relay, 3200 Meter Relay, 3000 Meter Walk, High Jump, Pole Vault, Long Jump, Triple Jump, Shot Put, Weight Throw, Superweight Throw, Pentathlon
  - (b) National Outdoor Track and Field  
100 Meters, 200 Meters, 400 Meters, 800 Meters, 1500 Meters, 5000 Meters, 10,000 Meters, 80/100/110 Meter Hurdles, 200/300/400 Meter Hurdles, 2000/3000 Meter Steeplechase, 5000 Meter Walk, 10,000 Meter Walk, 400 Meter Relay, 1600 Meter Relay, 3200 Meter Relay, Shuttle Hurdle Relay, High Jump, Pole Vault, Long Jump, Triple Jump, Shot Put, Discus Throw, Javelin Throw, Hammer Throw, Weight Throw, Pentathlon

**NOTE:** *For events in the Pentathlon, see rule 200*

(c) Regional and Association Indoor Track and Field  
The same events as those conducted in the National Indoor Track and Field Championships. The Superweight Throw and Pentathlon are optional. For the racewalk, the 1500 Meters may be substituted for the 3000 Meters in Association Championships.

(d) Regional and Association Outdoor Track and Field  
The following events shall be held:  
100 Meters, 200 Meters, 400 Meters, 800 Meters, 1500 Meters, 5000 Meters, 80/100/110 Meter Hurdles, 200/300/400 Meter Hurdles, 5000 Meter Walk, 400 Meter Relay, 1600 Meter Relay, 3200 Meter Relay, High Jump, Pole Vault, Long Jump, Triple Jump, Shot Put, Discus Throw, Javelin Throw, Hammer Throw

The following events may be held:  
10,000 Meters, 2000/3000 Meter Steeplechase, Shuttle Hurdle Relay, 10,000 Meter Walk, Weight Throw, Superweight Throw, Pentathlon, Heptathlon, and Decathlon

**NOTE:** *For combined events, see Rule 200*

(e) National Decathlon/Heptathlon. See Rule 200.

(f) National Throws Championships  
Throws Pentathlon - See Rule 201.  
Ultraweight Pentathlon - See Rule 203.  
Superweight Throw

(g) National Indoor Heptathlon  
The competition consists of seven events in the following order:  
First day 60 Meters, Long Jump, Shot Put, High Jump  
Second day: 60 Meter Hurdles, Pole Vault, 1000m(M)/ 800m(W)

2. There shall be club Championships at National Indoor and Outdoor Track and Field Championships. There may be club Championships at Regional and Association Championships. Scoring shall be in the following manner:

(a) National Championship: Scoring in individual events shall be in each five-year age group, in each 10 year age group in relay events, and shall be eight (8) points for each first place scored, six (6) points for each second, four (4) points for third, three (3) points for fourth, two (2) points for fifth, and one (1) point for sixth. Scoring in the different age groups, for both men and women, shall be added together to determine club champions. Awards shall be given to the top three clubs.

(b) Regional and Association Championships: Scoring for men and women may be separate or together and may be in the following age categories: 30-39, 40-49, 50-59, 60 & over. The scoring method shall be described in the entry material.

3. When it is not feasible to hold an event as a standard championship event, the Sport Committee may authorize the elimination of that event or the substitution of a comparable event. In addition, the Sport Committee may authorize the substitution of One Mile for 1500 Meters, either indoors or outdoors. In either case, the elimination or substitution must be reflected in the entry form and apply to all age groups.



**RULE 332**  
**COMPETITIVE RULES AND STANDARDS FOR**  
**MASTERS TRACK AND FIELD**

**1. General**

- (a) There shall be no Regional Championship restrictions to any Masters competitor involving eligibility to compete.
- (b) Where the number of entrants warrants it, finals may be conducted for multiple ages and/or mixed sexes simultaneously, subject to the following restrictions:
  - i. In events starting in lanes, all competitors in a given age division must start in contiguous lanes.
  - ii. In the throwing events, the groups that are consolidated groups should all use the same implement weight. For example, M60 and M65 may compete simultaneously in the shot put, since both groups use a 5kg shot, but M65 and M70 should not compete simultaneously since M70 uses a 4kg shot.
  - iii. In field events, each consolidated flight should contain no more than 12 competitors.
- (c) Every Championship event, including combined event championships, will use the implement weights, hurdle heights and spacings, and race lengths approved by WMA as of January 1 of the current year. A specification will be considered to have been approved by WMA when it has been published in the most recent IAAF/WMA Handbook approved by the IAAF and WMA Councils. In the case of a new implement, this must include complete specifications. For those events included in combined events, this must also include revised scoring tables. If WMA approves a specification change prior to January 1 with an effective date after January 1, the Masters Committee may adopt the new specification with an effective date of either (1) January 1 prior to the WMA effective date, (2) the same date as the WMA effective date, or (3) the January 1 after to the WMA effective date, and publish such date in these Rules.

**2. Track**

- (a) In order to complete the National Track and Field Championships within the schedule, the Masters Track and Field Committee may adopt and publish a table for advancement to replace that of Rule 166.1(h), as long as the principles for advancement are maintained: advancement is primarily by place; and at least two, and preferably three or more, competitors will advance on place from any heat to the subsequent round.

**NOTE:** *For indoor meets, the minimum number of athletes advanced by place may be reduced.*

- (b) When an individual or relay team, having qualified for a subsequent round, voluntarily withdraws for any reason, the next ranked original non-qualifier, if checked in with the clerk, and only that non-qualifier, shall be advanced to participate in that subsequent round. This procedure is continued as required. The provisions of Rule 332.2(a) shall not apply. The referee may reform the heats.

- (c) No penalty shall be imposed for the first false start, but the Starter shall disqualify the offender or offenders on the second false start. False starts are called on individuals, not on the field.

**NOTE:** *In practice, when one or more competitors makes a false start, others are inclined to follow and, strictly speaking, any competitor who does so has also made a false start. The Starter should charge only the competitor or competitors who, in the Starter's opinion, were responsible for the false start. This may result in more than one competitor being charged with a false start. If the unfair start is not due to any competitor, no competitor shall be charged.*

- (d) The general rule regarding the use of starting blocks and stance is waived. The use of blocks and stance is within the discretion of the competitor.
- (e) In events of 1500 meters or longer, timed finals shall be run. In events of 2000 meters or longer, the number of participants per section is limited by Rule 166.1(c). The total number in the 1500 meters and any race walk should not exceed 24. For seeding of timed finals, see Rule 166.4

- (f) Relay teams are defined as follows:

**Club:** In accordance with Regulation 4-B, all members must be resident in the Association in which the club is registered (or meet the residency exception of Regulation 4-B).

**Non-Club:** Any team not meeting the club definition. Non-club relay teams are defined as:

- i. Association: All members must hold current USATF membership in the same Association, or
- ii. Region: All members must hold current USATF membership in the same USATF Masters region, or
- iii. Unrestricted: Any relay team that does not meet one of the three definitions above.

Club and Non-Club relay teams shall be separate divisions. At Association, Regional, and National Track and Field Championships, and all other meets, each relay team must meet one of the definitions above, or be a foreign national team as guest competitors in the Non-Club Division. A team meeting any of the above definitions may set a Masters record. Separate records shall be maintained in the relays for (1) Club teams and (2) Non-Club teams.

- (g) At National Track and Field Championships, the athletes advanced to the final in every event shall consist of at least 2/3rds who are USA affiliated as determined by WMA. If adjustments are needed to meet this requirement, then the reduction in guest finalists shall be determined by performance with no consideration to place. Those USA affiliated athletes that were advanced to the finals by place shall retain their position and the additional USA affiliated athletes that will be added to the final shall be selected by performance with no consideration to place. The number of finalists shall not be increased to include additional non-USA affiliated athlete finalists.
- (h) Combined event scoring will use current WMA scoring procedures, WMA Age Factors and IAAF scoring tables.

**NOTE:** *Age factors for ages 30 to 39 are published in Masters Age-Graded Tables.*

- (i) In all hurdle races, competitors shall hurdle with a continuous motion such that both feet shall be off the ground at least for an instant.
- (j) Shuttle Hurdle Relay consists of four same-sex members competing in 10-year age groups (30-39, 40-49, 50-59, etc.) running the Outdoor Short Hurdles in adjacent lanes in opposite directions using the same hurdle height, spacing, and distance as determined by the age of the youngest team member. After the race start, each team member must be in a set position when they start and shall start only after the incoming team member's torso passes their respective start line. No baton or other exchange is required. Otherwise, all individual hurdle rules apply to each hurdler.
- (k) The tables which follow show WMA race specifications:  
**NOTE:** *0.686m=27"; 0.762m=30"; 0.840m=33"; 0.914m=36"; 0.991m=39"*

#### HURDLE HEIGHTS AND SPACINGS

Division	Distance	Hurdles	Height	To First	Interval	to Finish
<b>WOMEN'S INDOOR</b>						
30-39	60m	5	0.840m	13.00m	8.50m	13.00m
40-49	60m	5	0.762m	12.00m	8.00m	16.00m
50-59	60m	5	0.762m	12.00m	7.00m	20.00m
60 +	60m	5	0.686m	12.00m	7.00m	20.00m
<b>MEN'S INDOOR</b>						
30-49	60m	5	0.991m	13.72m	9.14m	9.72m
50-59	60m	5	0.914m	13.00m	8.50m	13.00m
60-69	60m	5	0.840m	12.00m	8.00m	16.00m
70-79	60m	5	0.762m	12.00m	7.00m	20.00m
80 +	60m	5	0.686m	12.00m	7.00m	20.00m
<b>WOMEN'S OUTDOOR SHORT</b>						
30-39	100m	10	0.840m	13.00m	8.50m	10.50m
40-49	80m	8	0.762m	12.00m	8.00m	12.00m
50-59	80m	8	0.762m	12.00m	7.00m	19.00m
60 +	80m	8	0.686m	12.00m	7.00m	19.00m
<b>MEN'S OUTDOOR SHORT</b>						
30-49	110m	10	0.991m	13.72m	9.14m	14.02m
50-59	100m	10	0.914m	13.00m	8.50m	10.50m
60-69	100m	10	0.840m	12.00m	8.00m	16.00m
70-79	80m	8	0.762m	12.00m	7.00m	19.00m
80 +	80m	8	0.686m	12.00m	7.00m	19.00m
<b>WOMEN'S OUTDOOR LONG</b>						
30-49	400m	10	0.762m	45m	35m	40m
50-59	300m*	7	0.762m	50m	35m	40m
60-69	300m*	7	0.686m	50m	35m	40m
70 +	200m*	5	0.686m	20m	35m	40m

### MEN'S OUTDOOR LONG

30-49	400m	10	0.914m	45m	35m	40m
50-59	400m	10	0.840m	45m	35m	40m
60-69	300m*	7	0.762m	50m	35m	40m
70-79	300m*	7	0.686m	50m	35m	40m
80 +	200m	5	0.686m	20m	35m	40m

### STEEPLECHASE – see Rule 169

Women - All	2000m	0.762m
Men - 30-59	3000m	0.914m
Men - 60 +	2000m	0.762m

*\*The locations for the hurdles in the 300m event are the same as the last seven hurdles of the 400m event. They are not same as the high school 300m hurdle race, which uses eight hurdles. The locations for the hurdles in the 200m event are the same as the last five hurdles of the 400m event.*

### 3. Field

- (a) The procedures set forth in Rule 180.8 shall be applied when there are more than 12 competitors in field events.
- (b) When a vertical jumps group of competitors is sufficiently large and/or diverse in ability, the head judge and the jumps referee may have the option of dividing the group into two simultaneous competitions. The same progression of increments shall be used.
- (c) In the High Jump and Pole Vault, a competitor who has passed three consecutive heights after the competition has begun may be permitted a warm up jump without the crossbar in place. One such jump shall be allowed for each three passed heights and may be taken only as earned, not cumulatively.
- (d) In the High Jump and Pole Vault, Masters competitors are allowed to touch the landing area before clearing the bar, but may not use the landing area to any advantage as determined by the Field Judge.
- (e) Rule 181.7 applies to any competitor who has won an age division, subject to the following. For any heights not announced by the Chief Judge at the beginning of the competition, only a competitor who has won an age division may jump or vault. Any such additional heights will be in the normal sequence of raising the bar.

**NOTE:** *For example, assume the Chief Judge announces ..., 1.80m, 1.85m, 1.90m,... at the beginning of the competition. If competitor A wins at 1.80m, with B and C in another age group, and requests 1.88m, the bar will first be raised to 1.85m for B and C, then 1.88m for A only, then 1.90m, etc.*

- (f) Privately owned implements shall be exempt from the loss of identity rule (Rule 187.10).
- (g) The WMA specifications for throwing implements, including the Superweight, are shown in the following table:

## WMA IMPLEMENTS

### Women

Ages	Shot	Discus	Hammer	Javelin	Weight
30-49	4kg	1kg	4kg	600g	9.08kg (20#)
50-59	3kg	1kg	3kg	500g	7.26kg (16#)
60-74	3kg	1kg	3kg	500g	5.45kg (12#)
75 +	2kg	0.75kg	2kg	400g	4 kg (8.8#)

### Men

30-49	7.26kg (16#)	2kg	7.26kg (16#)	800g	15.88kg (35#)
50-59	6kg	1.5kg	6kg	700g	11.34kg (25#)
60-69	5kg	1kg	5kg	600g	9.08kg (20#)
70-79	4kg	1kg	4kg	500g	7.26kg (16#)
80 +	3kg	1kg	3kg	400g	5.45kg (12#)

## SUPERWEIGHT

### Women

Ages	Weight	Men	Weight
30-49	15.88kg (35#)	30-59	25.40kg (56#)
50-59	11.34kg (25#)	60-69	20.00kg (44#)
60-74	9.08kg (20#)	70-79	15.88kg (35#)
75 +	7.26kg (16#)	80 +	11.34kg (25#)

## RULE 333

### MASTERS RACE WALKING CHAMPIONSHIPS

#### 1. Outdoors

Masters race walking Championships may be held at any distance of 1500 meters or longer and may be conducted with the Open Championships. A 5000 Meter Walk is a Championship event in the National Outdoor Track and Field Championships, held in addition to the 5000 Meter Walk Championship conducted in accordance with the list in Rule 25.1(a).

#### 2. Indoors

The 3000 Meter Walk is an event in the National Indoor Track and Field Championships.

For record requirements, See Rule 266.

For Championship meet requirements, See Rules 25.2 through 25.4.

#### 3. Team Championships

In race walking events, except those conducted as part of the Masters Track and Field Championship, team championships shall be conducted in 10-year age divisions for men and women. For all divisions, the number of entries for each team shall be unlimited, the number of declared team members shall be up to five (5), and three (3) individuals shall score. Team Championships at the Association level are optional.

**SECTION II-B  
MASTERS LONG DISTANCE RUNNING**

**RULE 340  
GENERAL RULES**

1. The Masters Long Distance Running Committee shall conduct and supervise a program for long distance running for all athletes over the age of 40.
2. All long distance running races with Masters athletes are encouraged to follow the rules for Masters Long Distance Running Championships whenever possible.
3. A competitor may be asked to provide his/her legal date of birth when he/she registers for a USATF sanctioned competition. In the case that a competitor claims a record or receives prize money for any age-dependent event, he/she may be required to present proof of age. The form of proof unless otherwise specified, shall be a certified copy of a birth certificate or a passport. Once an athlete has declared a birth date for U.S. competition, the athlete may not subsequently change that birth date to gain an advantage in a different age group. In the event that an actual birth date is unascertainable for a foreign competitor, he/she shall contact the embassy in the US of the competitor's country of citizenship or birth and determine the best method for age verification. This method may include issuance of a new passport, certified birth certificate or court order verifying the age of the individual. The obligation to obtain age verification documentation is on the athlete.

**RULE 341  
MASTERS LONG DISTANCE CHAMPIONSHIPS**

1. Team scoring for cross country shall be as follows:
  - (a) M40+ and M50+ five (5) individuals shall score with a maximum of nine (9) individuals declared per team;
  - (b) M60+ and above, and all women's teams three (3) individuals shall score with a maximum of five (5) individuals declared per team.

Team scoring for road racing Championships shall be as follows:

All teams, men and women, in all 10-year age divisions, three (3) individuals shall score with a maximum of five (5) individuals declared per team.

2. Masters Championships may be held at any distance of one mile or longer off the track (i.e., road, trail, mountain or cross country), and at any distance longer than 10,000 meters on the track.
3. Championships shall be sanctioned by USATF, and road courses should be certified prior to bid submittal and must be USATF-certified prior to the running of the event.
4. The age of the competitor on the day of the start of the race determines the age division. A runner may compete in a younger division as a team member. If he/she runs on a younger team, the runner may still compete as an individual in his/her true age division if both divisions are run simultaneously. Only a birth certificate or a U.S. passport will be acceptable as proof of age.

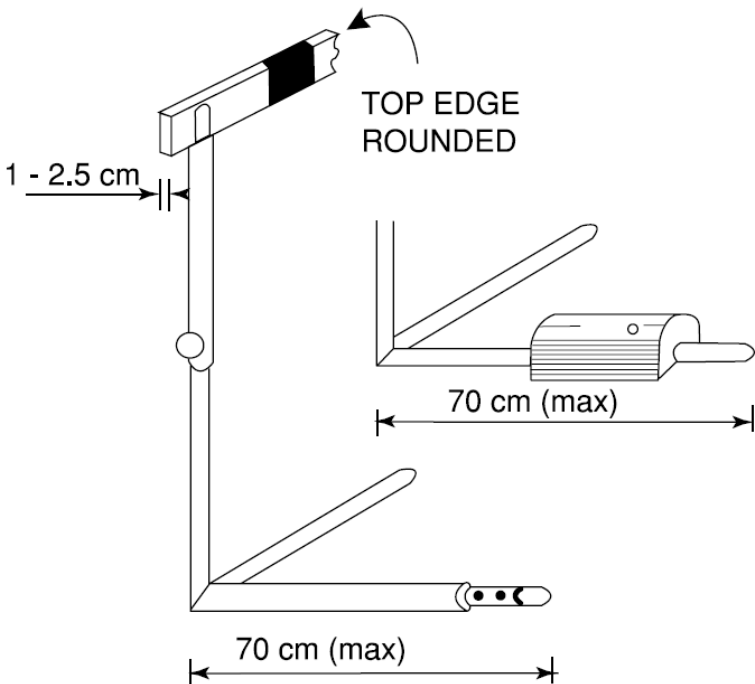
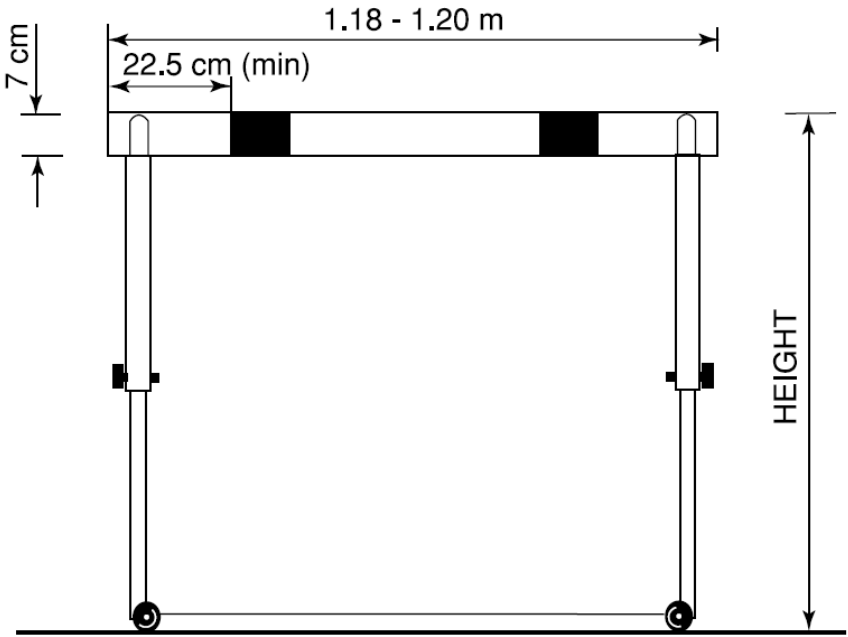
5. Competitors in a Championship must be current members of USATF. Only U.S. citizens shall be allowed to win USATF medals and other Championship awards or to score on a team.
6. In Masters LDR championships, to be eligible for individual or team scoring or awards, a bib, supplied by the games committee which identifies gender and age group, shall be worn on the back.
7. If a Masters Championship is part of a larger event, Championship competitors shall be eligible for awards in their divisions or age groups in the non-championship event.
8. Teams shall represent current member clubs of USATF, verified through the national office. USATF Association, Regional, or National "all-star" teams are not eligible to compete in Masters Long Distance Running Team competition. Team members shall be affiliated with the club they are representing on their USATF membership record prior to entering the competition. One athlete per team (i.e., Club M50+ team) who is a non-resident member of an Association is eligible to compete for a team in that Association.
9. For team scoring, see Rule 7. Unless the Championship event has issued items such as letters or distinguishing numbers to identify teams, see Rule 253 for apparel requirements in team-scored Championships
10. An event chosen as a Masters Long Distance Running Championship shall use a transponder timing system as the primary timing and recording system, using either Net or Gun Timing. In addition, a fully automatic timing camera or video system placed on the finish line must be used to validate places, times and possible records. Non-championship events may use "select timing" to validate times and records. For transponder timing, FAT camera, video timing requirements and timing practices, see Rule 165. For records, see Rule 265.1.
11. Regulation USATF medals shall be awarded to first, second, and third place individuals in each age division and to the declared members of the first, second and third place teams in each team division. Regulation USATF medals may also be awarded to the overall first, second, and third place age-graded individuals for each gender. Championship patches may be awarded to the winners of each age division and to the declared members of the winning team in each team division.



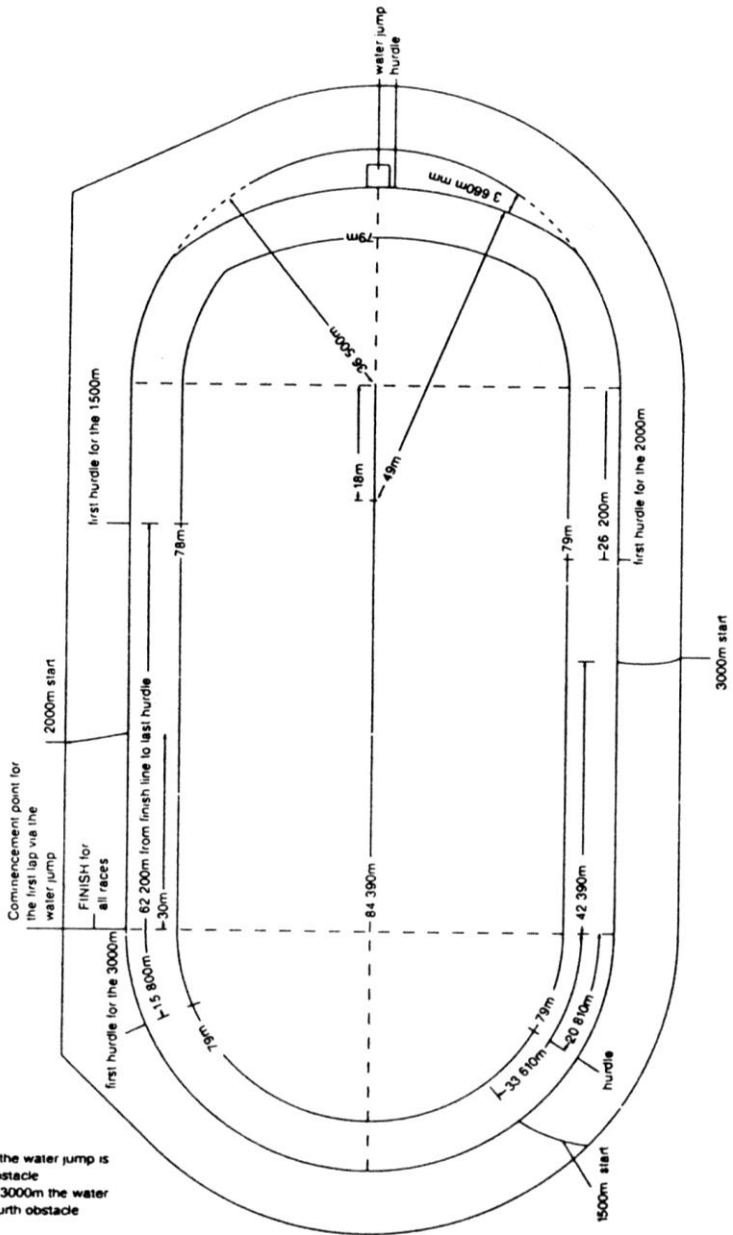
## ILLUSTRATIONS



**FIGURE 1 - HURDLE**

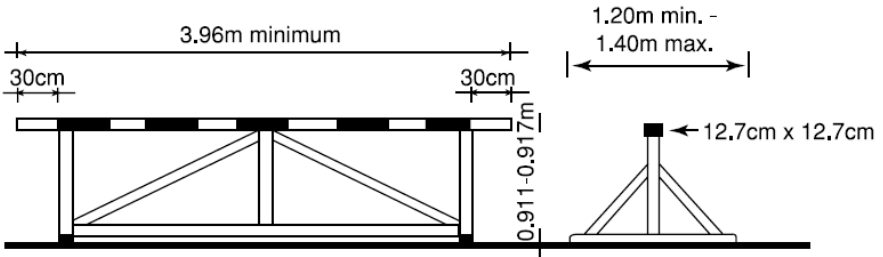


**FIGURE 2**

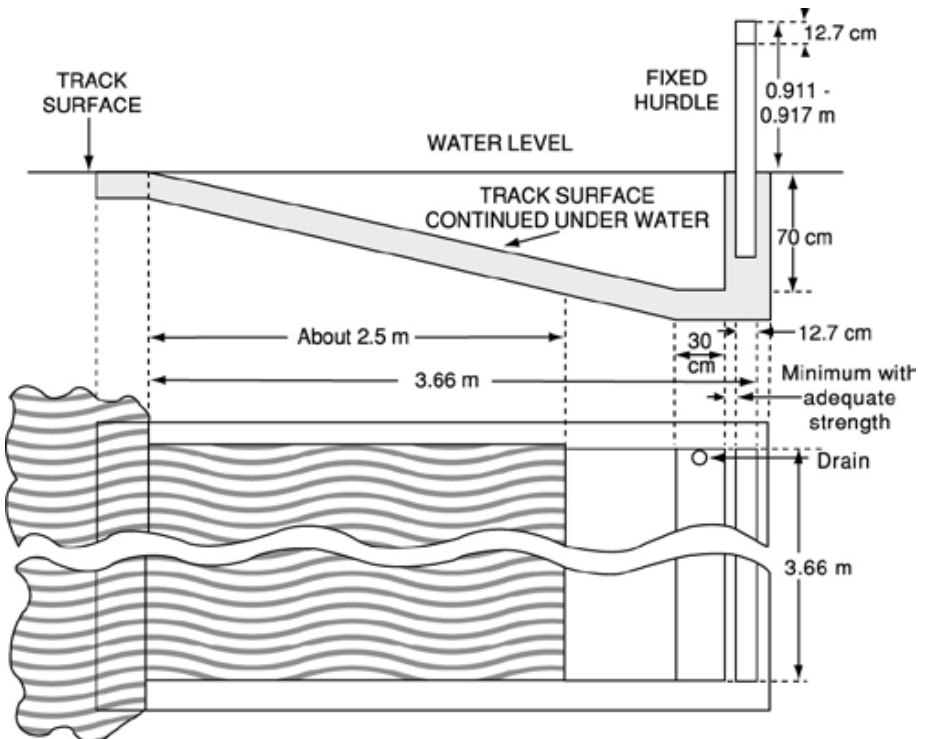


**NOTE:** This diagram is an illustration of the approximate location of starting lines and barrier locations based on an inside water jump. The specific locations will change depending on the given track layout, particularly for an outside water jump.

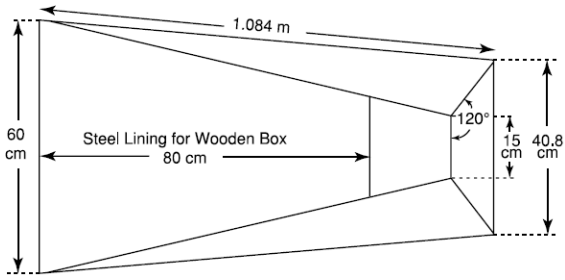
**FIGURE 3 – STEEPLECHASE BARRIER**



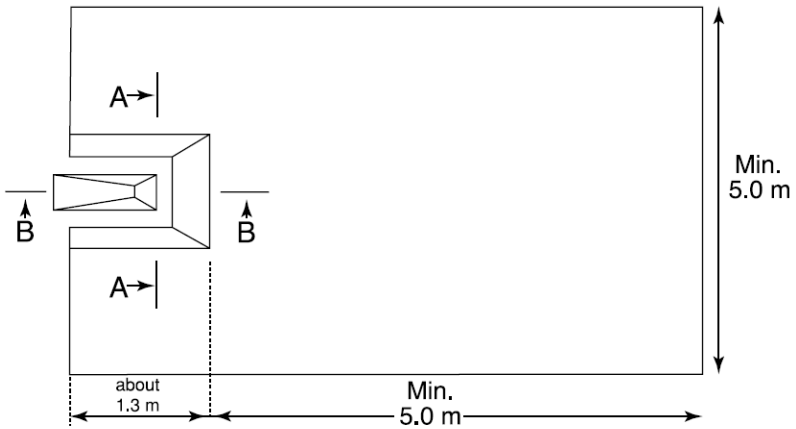
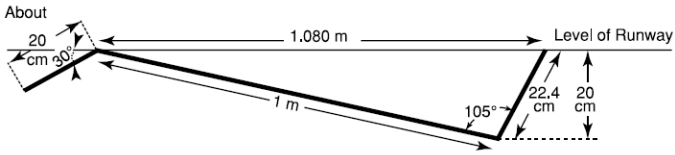
**FIGURE 4 – WATER JUMP**



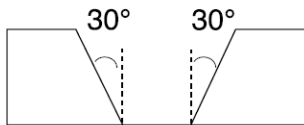
**FIGURE 5 – POLE VAULT BOX AND LANDING AREA**



**PLAN VIEW**

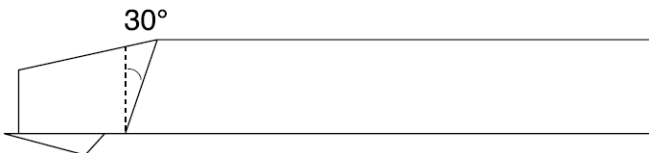


**A – A**

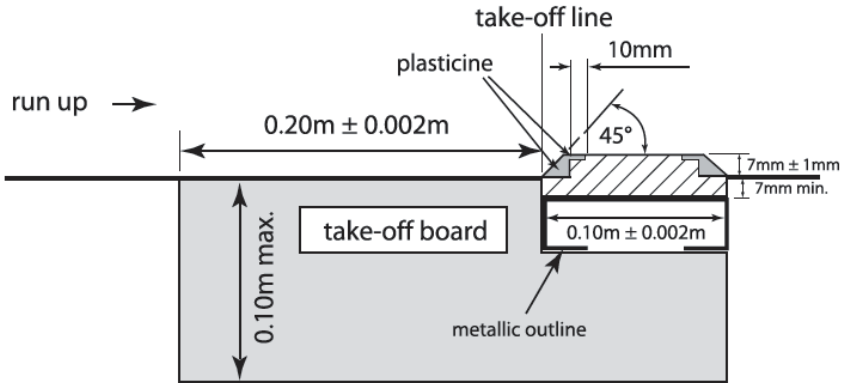


**Plan of a Suitable Landing Area**

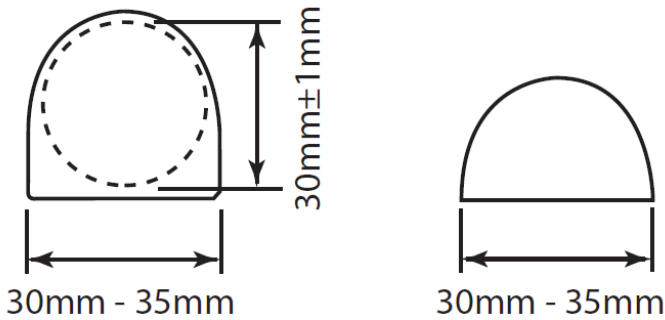
**B – B**



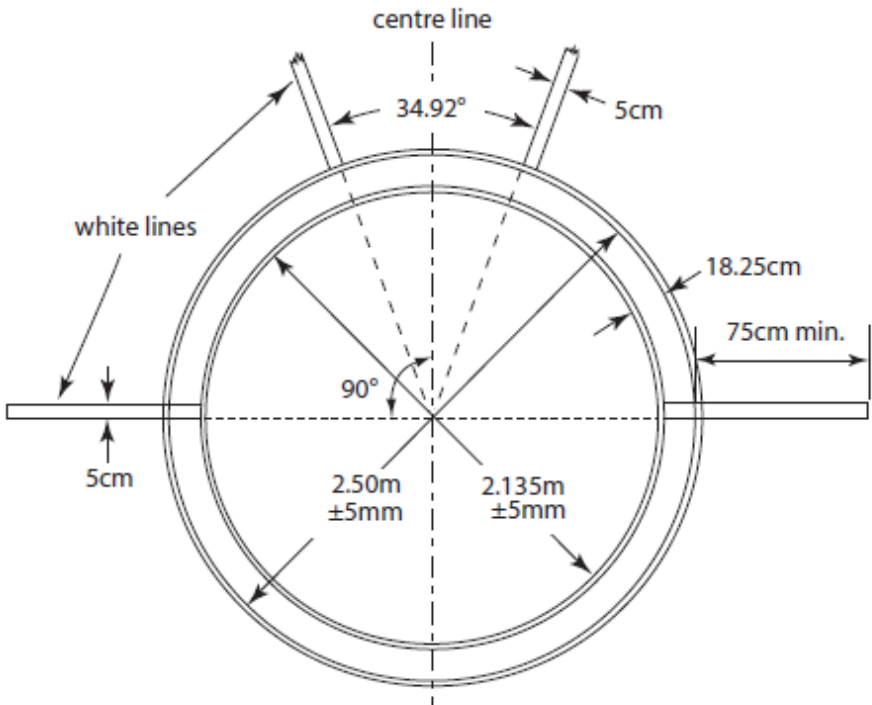
**FIGURE 6 – TAKE-OFF BOARD AND PLASTICINE BOARD**



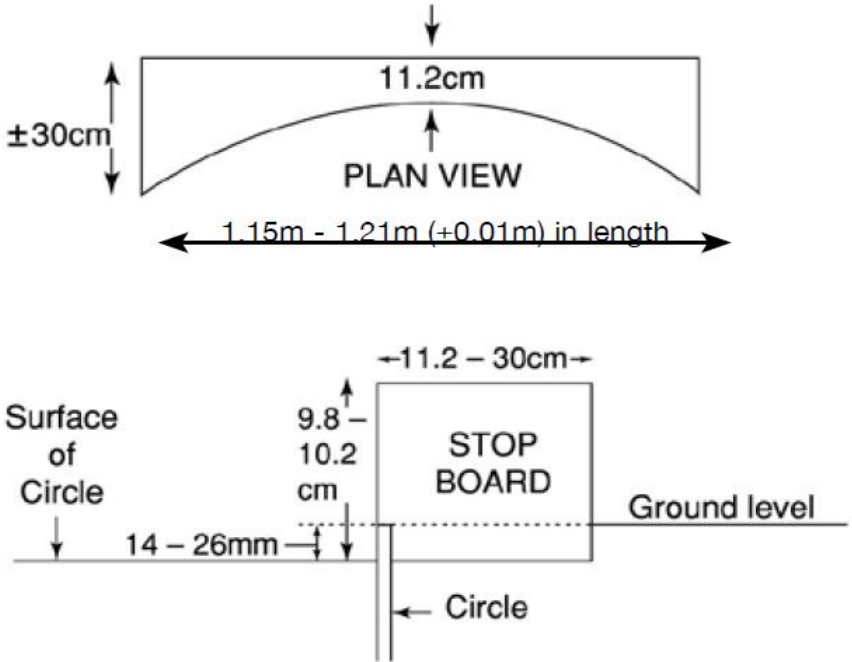
**FIGURE 7 – END VIEW OF CROSSBAR**



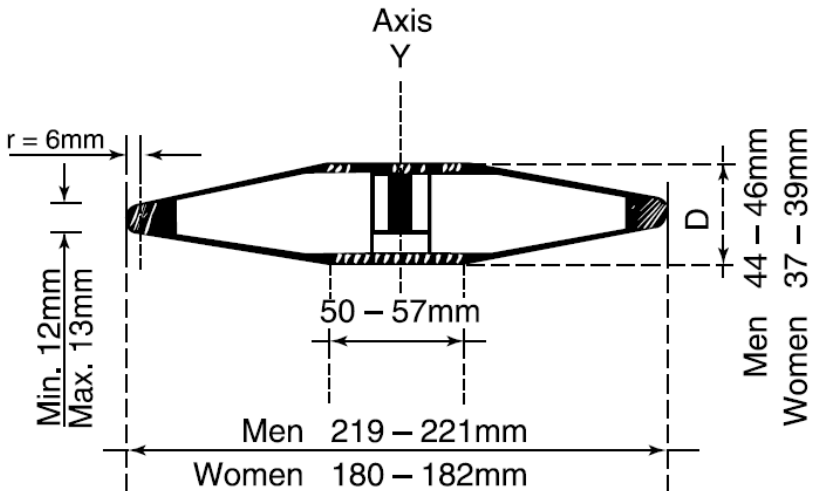
**FIGURE 8 – LAYOUT OF CONCENTRIC CIRCLES FOR DISCUS AND HAMMER**



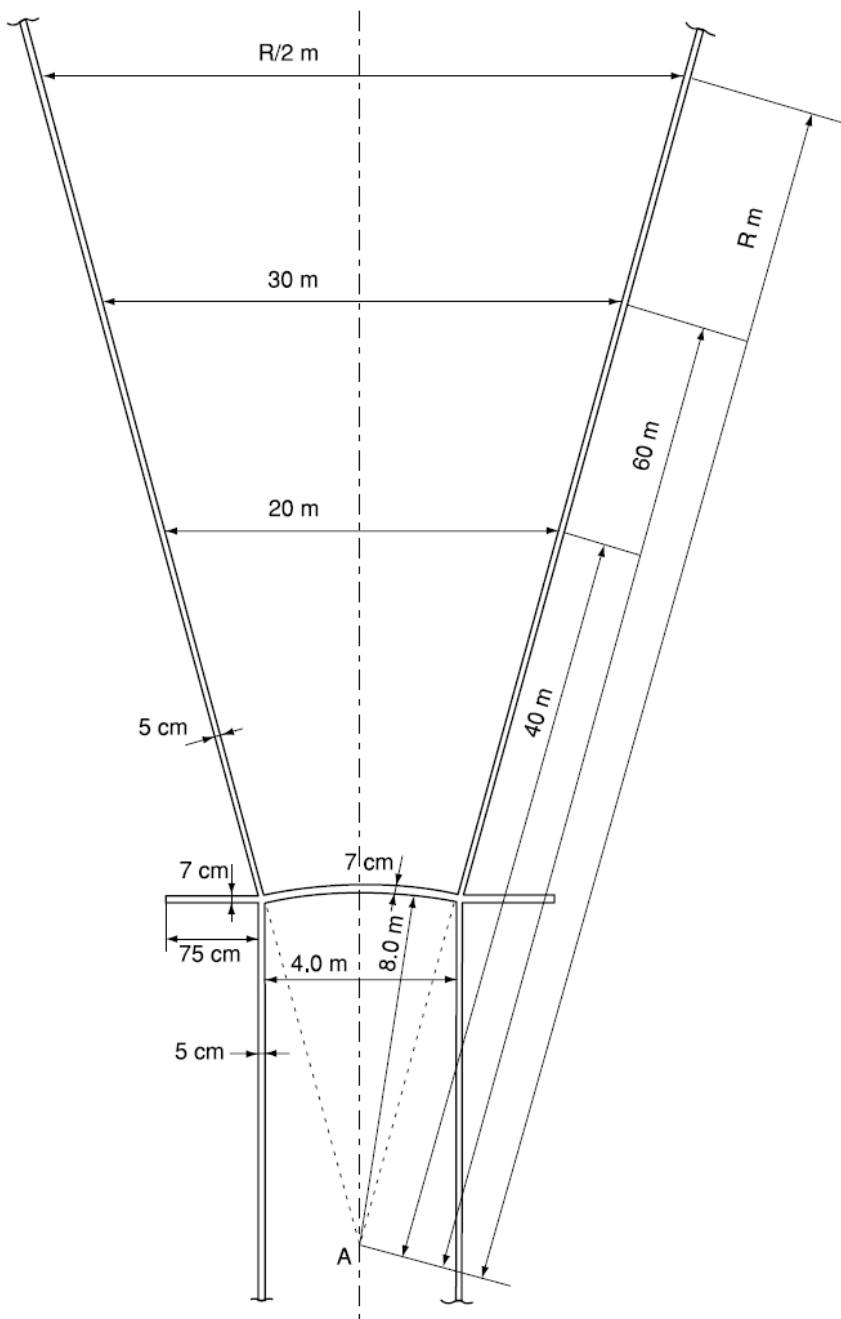
**FIGURE 9 – LAYOUT OF SHOT STOPBOARD**



**FIGURE 10 – DISCUS**

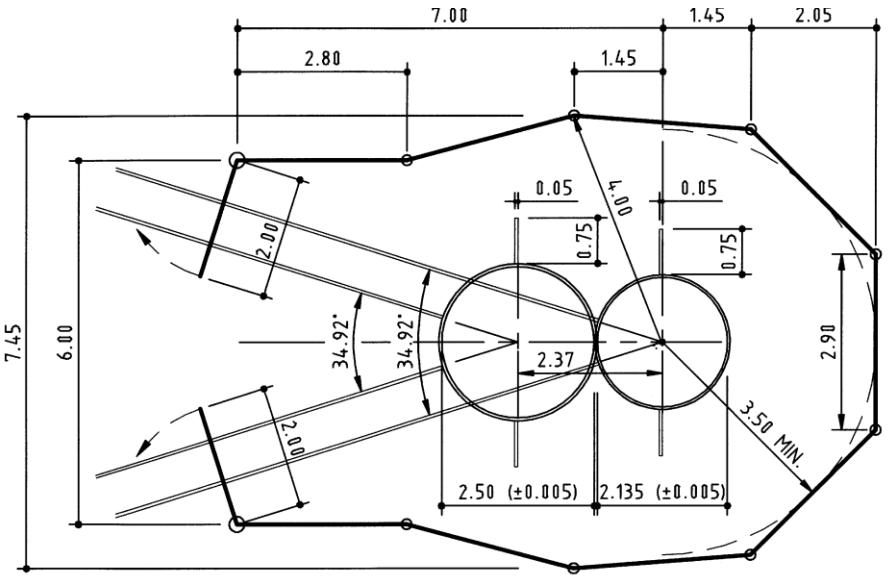
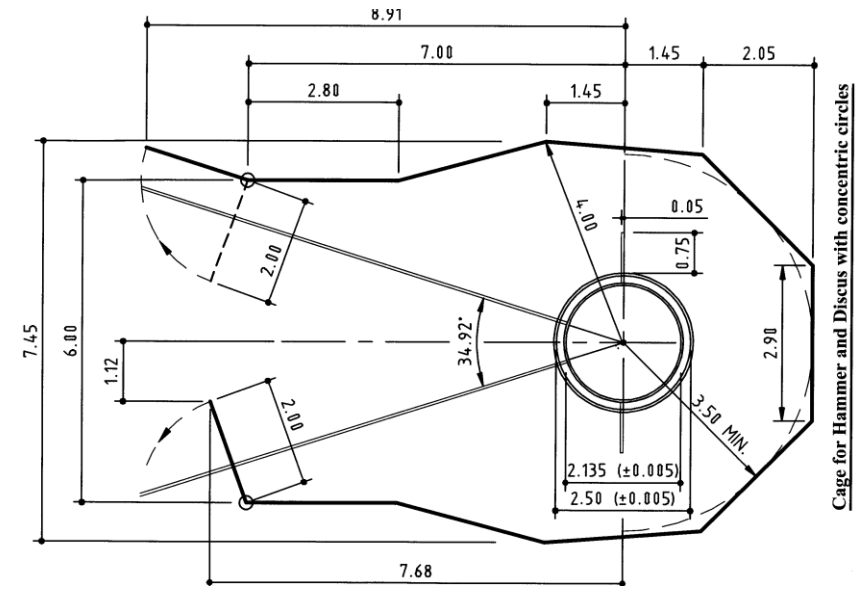


**FIGURE 11 – JAVELIN RUNWAY AND LANDING  
SECTOR  
(NOT TO SCALE)**

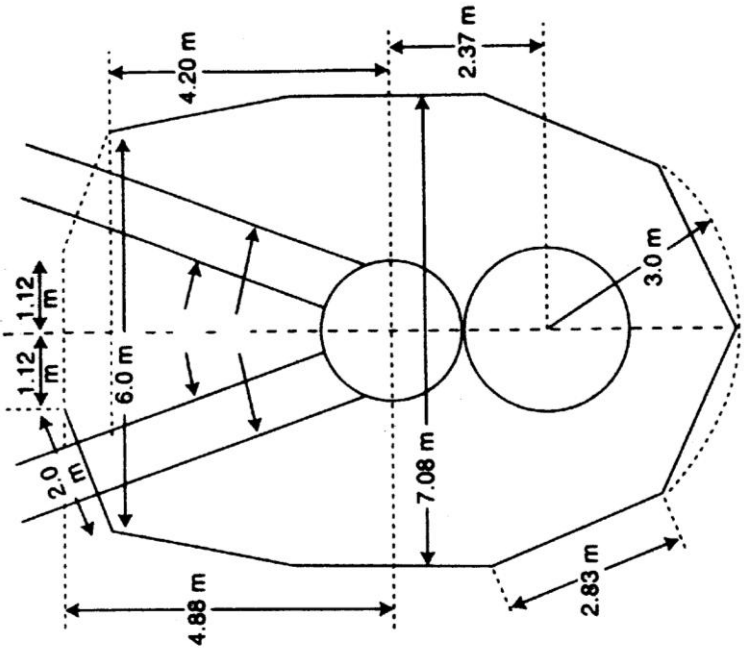




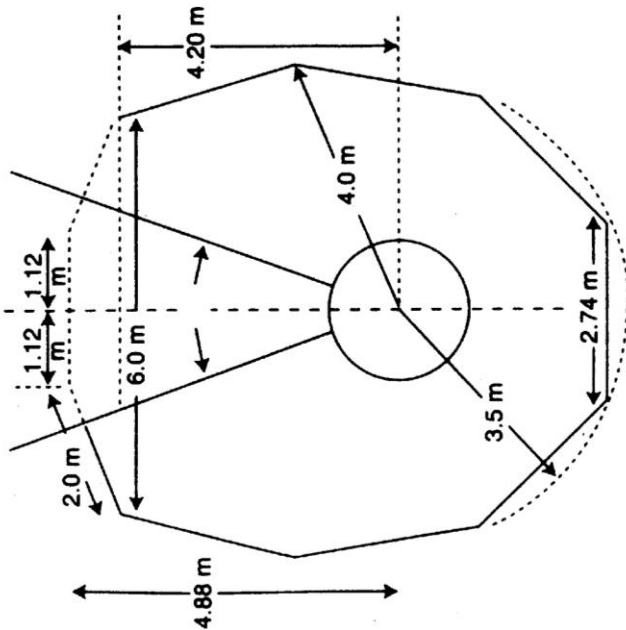
**FIGURE 12 – IAAF HAMMER/DISCUS CAGE LAYOUTS**



**FIGURE 13 – ALTERNATE LAYOUTS USING PRE-2004 CAGES**

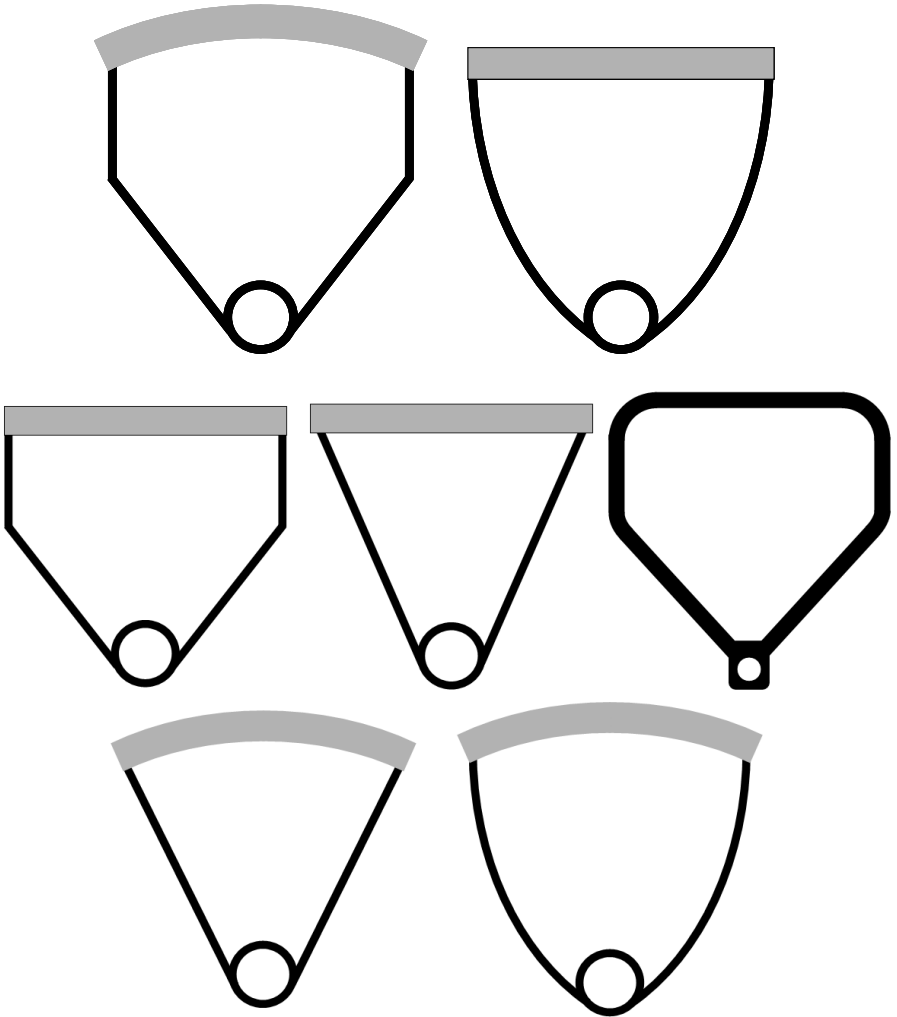


**Cage for Hammer and Discus**



**Cage for Hammer Only**

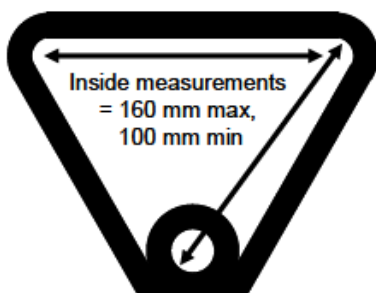
**FIGURE 14 – HAMMER HANDLE**



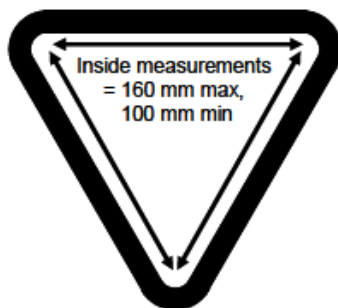
**NOTE:** *The hammer handle may have any configuration that meets the specifications (Rule 191.7). This includes all configurations in this figure and variants thereof.*

## FIGURE 15 – WEIGHT HANDLE

### HANDLE FOR WEIGHT WITH FILLED HEAD



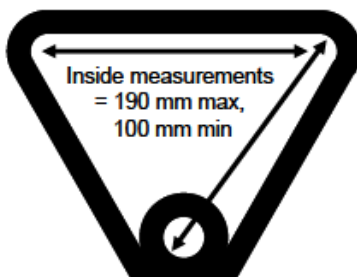
Handle with internal brace



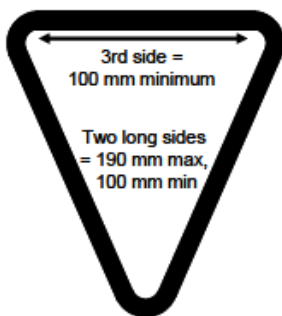
Handle without internal brace  
(all sides must be equal)

---

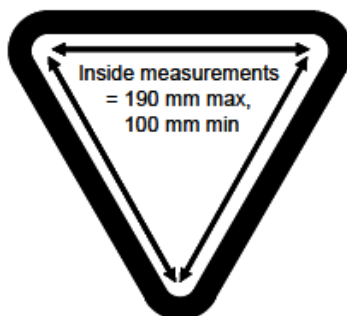
### HANDLE FOR WEIGHT WITH ALL-METAL HEAD



Handle with internal brace

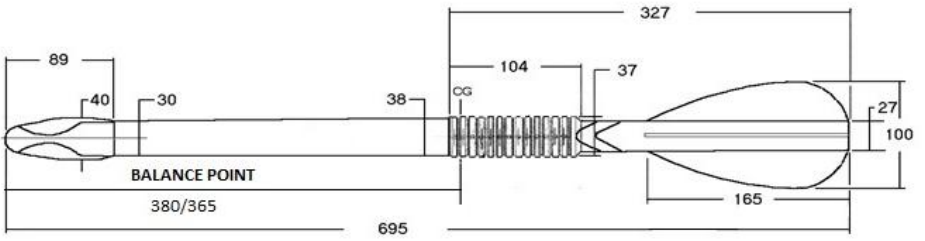


Handle without internal brace



Handle without internal brace

**FIGURE 16 – MINI JAVELIN**



## NOTES

# RECORD APPLICATION FORM

This form shall be used for American and World records. See instructions on reverse.  
It may be used for collegiate or other jurisdictional performances.

## APPLICATION FOR RECORD



- International Association of Athletic Federations** (*World Records*)
- USA Track & Field** (*American Records, World Record Approval*)  
Address: 132 East Washington St., Indianapolis, IN 46204-3723
- NCAA**     **NAIA**     **NJCAA**     **Other** \_\_\_\_\_

To THE RECORD COMMITTEE:

Application is hereby made for a record, in support of which, the following information is submitted:

1. **Description of Record:**     World     American     Association     Championship     Collegiate  
 Junior\*     Age Group\* \_\_\_\_\_     Masters\* \_\_\_\_\_  
*\*Application must be accompanied by copy of birth certificate or other proof of age.*

Event \_\_\_\_\_ Men / Women Indoor / Outdoor  
Competition Name \_\_\_\_\_ Date \_\_\_\_\_ Time of Day \_\_\_\_\_  
Location: Arena \_\_\_\_\_  
Town \_\_\_\_\_ State \_\_\_\_\_ Country USA

Record Claimed (time, distance, height or points achieved): \_\_\_\_\_

Printed Full Name of Competitor, Club and Country: (Print first name first. List relay members in their running order.)  
\_\_\_\_\_  
\_\_\_\_\_  
\_\_\_\_\_

2. **Starter's Certificate:** I certify I was the Starter and that the start of this race was in accordance with IAAF or applicable Rules. For World Records, excluding World Junior Records, I certify the satisfactory use of an approved false start detection system in all races which require the use of blocks.

Printed Name \_\_\_\_\_ Signature \_\_\_\_\_ USATF Cert # \_\_\_\_\_

Start Coordinator Printed Name \_\_\_\_\_ Signature \_\_\_\_\_ USATF Cert # \_\_\_\_\_

3. **Automatic Timing Certificate:** A fully automatic timing device was used; manufactured by: \_\_\_\_\_  
As Chief Photo Finish Judge, I certify the correct positioning, proper testing and a satisfactory zero control test for the equipment.

As Chief Photo Finish Judge, I certify the time recorded was \_\_\_\_\_, and this was the official time.

Printed Name \_\_\_\_\_ Signature \_\_\_\_\_ USATF Cert # \_\_\_\_\_

4. **Hand Timing Certificate:** I, the undersigned official timekeeper for this event, do certify that the time set opposite my signature was the exact time recorded by my watch, and that the watch used by me has been certified and approved by my National Association.

Time \_\_\_\_\_ Printed Name \_\_\_\_\_ Signature \_\_\_\_\_ USATF Cert # \_\_\_\_\_

Time \_\_\_\_\_ Printed Name \_\_\_\_\_ Signature \_\_\_\_\_ USATF Cert # \_\_\_\_\_

Time \_\_\_\_\_ Printed Name \_\_\_\_\_ Signature \_\_\_\_\_ USATF Cert # \_\_\_\_\_

I, as Chief Timekeeper or Referee, confirm the above Timekeepers exhibited their watches to me and that the times were as stated.

Printed Name \_\_\_\_\_ Signature \_\_\_\_\_ USATF Cert # \_\_\_\_\_

5. **Wind Gauge Certificate:** I, as the Wind Gauge Operator, certify the force of the following wind as: \_\_\_\_\_ m/s  
 Printed Name \_\_\_\_\_ Signature \_\_\_\_\_ USATF Cert # \_\_\_\_\_
6. **Field Judge Certificate:** We certify that the measurement stated opposite our respective signatures is exact as measured in accordance with IAAF or appropriate Rules. We also certify that the circle, sector and/or runway is in compliance with IAAF or appropriate specifications.  
 Mark \_\_\_\_\_ m Printed Name \_\_\_\_\_ Signature \_\_\_\_\_ USATF Cert # \_\_\_\_\_  
 Mark \_\_\_\_\_ m Printed Name \_\_\_\_\_ Signature \_\_\_\_\_ USATF Cert # \_\_\_\_\_  
 Mark \_\_\_\_\_ m Printed Name \_\_\_\_\_ Signature \_\_\_\_\_ USATF Cert # \_\_\_\_\_
7. **Implement Certification:** I certify that I weighed and measured the implement used for the claimed record in accordance with IAAF or appropriate Rules and that the implement conforms exactly with relevant IAAF or appropriate Rule. For World Records, I further certify the implement as follows:  
 Manufactured by \_\_\_\_\_ Model \_\_\_\_\_ IAAF Certification # \_\_\_\_\_  
 Printed Name \_\_\_\_\_ Signature \_\_\_\_\_ USATF Cert # \_\_\_\_\_
8. **Surveyor:** I certify that the facilities used were in conformity with IAAF or appropriate Rules. The maximum allowance for inclination did not exceed 1:100 laterally and 1:1000 in the running direction. For running events, I have measured the course over which this event was held and the exact distance was:  
 \_\_\_\_\_ meters \_\_\_\_\_ centimeters; or \_\_\_\_\_ miles \_\_\_\_\_ yards \_\_\_\_\_ feet \_\_\_\_\_ inches.  
 For track events the length of one lap is as indicated below,  
 \_\_\_\_\_ meters \_\_\_\_\_ centimeters; or \_\_\_\_\_ miles \_\_\_\_\_ yards \_\_\_\_\_ feet \_\_\_\_\_ inches.  
 And (check one):  
 There was a 5cm raised border on the inner edge of the track with cones used to replace the border as required.  
 There was no raised border and cones were used as required. The one lap measurement was made 20cm from the inside of lane 1.  
 Printed Name \_\_\_\_\_ Signature \_\_\_\_\_ Qualification \_\_\_\_\_
9. **Doping Control Certification:** As a member of the Doping Committee for the event, I certify that a sample for a doping test was obtained in accordance with IAAF or appropriate Rules from the named athlete(s) in my presence and dispatched to the following laboratory:  
 Doping control date/time \_\_\_\_\_ Laboratory \_\_\_\_\_  
 Printed Name \_\_\_\_\_ Signature \_\_\_\_\_ Qualification \_\_\_\_\_
10. **Guarantee by Referee:** I certify that all information recorded on this form is accurate, that the Officials conducting the event were duly qualified and that all IAAF or appropriate Rules of Competition were complied with.  
 Printed Name \_\_\_\_\_ Date \_\_\_\_\_  
 Signature \_\_\_\_\_ USATF Cert # \_\_\_\_\_

---



---

### Instructions:

#### World Records and American Records

For running events, use sections 1, 2, 3 or 4, 8, 9, 10. Add section 5 for outdoor events less than 300m.  
 For field events, use sections 1, 6, 7, 8, 9, 10. Add section 5 for outdoor Long Jump or Triple Jump.  
 No application for an American Record is required for marks attained at championships conducted by USATF.

The following must be enclosed with this application for World and American Records:

- The printed program for the competition.
- The complete results for the event as well as a copy of the Results Card and the official results.
- A printed Photo Finish photograph in the case of a track record using fully automatic timing (exempted for some competitions).
- A report of all reaction start times in races where a false start detection system is required.

Revised January 2009

<http://www.usatf.org/Stats/Record-Forms.aspx>



**SPECIAL SECTION  
ADAPTATIONS TO  
USA TRACK & FIELD RULES OF COMPETITION  
FOR PARA-ATHLETES (ATHLETES WITH DISABILITIES)**

**INTRODUCTION**

This section contains a summary of adaptations and modifications to USA Track & Field rules for competitions for para-athletes. In this country essentially all competitions for athletes with disabilities use the rules of the International Paralympic Committee (IPC) Athletics section. In the US there are only a few exceptions to the IPC rules, involving Junior competitions, which are noted in this section (*and are identified by being in italics and within parentheses*). The IPC rules are based on IAAF rules, therefore they also are compatible with the USA Track & Field rules. The IPC rules make modifications only as necessary to accommodate the particular method of competition for each type of disability. The following selected rule modifications have been reprinted, using the numbering of the USATF rule book, with permission from the IPC Athletics. For a complete set of the final approved IPC rules modifications, including administrative rules and guidelines for 2015, visit the IPC website

(<http://www.paralympic.org/athletics/rules-and-regulations/rules>).

With regard to athletes with disabilities entering open competitions, please refer to the “USATF Policy and Procedures for Evaluation of Requests for Accommodations Pursuant to the Americans with Disabilities Act”

(<http://www.usatf.org/about/legal/policies/ADA.asp>).

**In situations where an athlete with leg prostheses enters an open competition at the local level, at the time of this writing the research appears to indicate that such prostheses are not in violation of Rule 143.3.**

Most rule modifications cited below are associated with a notation of disability class; e.g., “Classes T32-34, T51-54”. A letter prefix specifies Track events (T), Field events (F) or Combined events (P). The numbers indicate the particular type and level of disability.

Numbers in the low teens indicate Blind athletes:

Class 11: No light perception in either eye up to light perception, but inability to recognize the shape of a hand at any distance or in any direction.

Class 12: From ability to recognize the shape of a hand up to visual acuity of 2/60 and/or visual field of less than 5 degrees.

Class 13: From visual acuity of above 2/60 up to visual acuity of 6/60 and/or visual field of more than 5 degrees and less than 20 degrees.

(NOTE: All classifications in best eye with best correction; i.e., all athletes who use contact or corrective lenses must wear them for classification, whether they intend to compete wearing them or not.)

Numbers in the 20s indicate athletes with intellectual disabilities:

Athletes with Activity Limitations that result from an Intellectual Impairment and meet all standards below:

A. Significant impairment in intellectual functioning. This is defined as 2 standard deviations below the mean, that is, a Full Scale IQ score of 75 or lower.

B. Significant limitations in adaptive behavior as expressed in conceptual, social, and practical adaptive skills.

This is defined as at least 2 standard deviations below the mean of either

- a). one of the following 3 types of adaptive behavior: conceptual, social, or practical skills, or
- b). an overall score on a standardized measure of conceptual, social and practical skills.

C. Intellectual disability must be evident before age 18.

Numbers in the 30s indicate athletes with Cerebral Palsy:

- Class 31: Severe tetraplegic (quadraplegic)/triplelegic – requires use of power wheelchair, more spasticity prevalent.
- Class 32: Severe tetraplegic-wheelchair, may propel wheelchair with legs or arms, better upper extremity range of motion and coordination than Class 31, more athetosis present.
- Class 33: Weak tetraplegic, triplelegic or moderate hemiplegic – wheelchair.
- Class 34: Paraplegic: good upper extremity strength and control – wheelchair.
- Class 35: Paraplegic, moderate hemiplegic, may ambulate without wheelchair in regular and daily activities. May or may not use assistive devices as ambulatory support. NDSA defines assistive devices as ambulatory support devices such as crutches, walkers or canes. Braces are not considered assistive devices.
- Class 36: Tetraplegic athetoid - severe triplelegic, usually ambulates without walking aids, athetosis more prevalent.
- Class 37: Moderate hemiplegic or moderate to minimal tetraplegic.
- Class 38: Minimally disabled group.

Numbers in the 40s indicate Amputees:

- Class 42: Single above knee amputation or equivalent.
- Class 43: Double below knee amputation or equivalent.
- Class 44: Single below knee amputation or equivalent.
- Class 45: Double arm amputation (either above or below the elbow) or equivalent.
- Class 46: Single arm amputation (either above or below the elbow) or equivalent.
- Class 47: Unilateral or bilateral upper limb impairment.  
(Class 40 is Dwarfs)

Numbers in the 50s indicate athletes with Spinal Cord Injuries. Athletes are divided by their physical level of function. Track has four level of function, listed from weakest to strongest:

- Class T51: These athletes have no hand function, are unable to use the muscles that straighten their elbows, and their hands remain in contact or close to the pushing rim with the power coming from their elbow flexion. Neurological level: C6
- Class T52: These athletes have limited or no hand function. Power for pushing now comes from elbow extension, wrist extension and active chest muscles. Their head may be forced backwards (by the use of neck muscles), producing slight upper trunk movements even though they do not have use of their trunk muscles. Neurological level: C7-C8.
- Class T53: These athletes have normal or nearly normal upper limb function. There is no active trunk movement, although the trunk may move with the pushing action;

otherwise the trunk is usually lying on the tucked up legs. They tend to interrupt pushing movements to steer, then have difficulty resuming the pushing position. When braking, the trunk stays close to the pushing position. Neurological level: T1-T7.

Class T54: These athletes have normal upper limb function as well as backward movement of the trunk, often with rotation movements of the trunk. They may use the trunk movements to steer around curves, and usually do not have to interrupt the pushing stroke rate around curves. When stopping quickly, the trunk moves toward an upright position. They are able to use their abdominals for power, particularly when starting, but also when pushing. Neurological level: T8-S2.

All athletes compete in the 100m, 200m, 400m, 800m, 1500m, 5000m, and 10,000m. Relays include the 4x100m and 4x400 m.

Field has nine functional classes, from weakest to strongest:

Class F51: These athletes have no grip or ability to extend the arm or use their trunk or legs. They use resin or adhesive substance for grip. The discus is thrown with a flat trajectory. Their other implement is a “club” that is hooked between the fingers and thrown forward, or backward over their hand (using strong elbow flexors). Neurological level: C6.

Class F52: These athletes have difficulty with gripping, but are able to extend their arm. (No use of trunk or legs.) Shot: They are unable to form a fist, and therefore do not usually have finger contact with the shot at the release point. Discus: They have difficulty placing the fingers over the edge of the discus, but may do so with the aid of contractures or spasticity. Javelin: They usually grasp the javelin between the fingers. Neurological level: C7.

Class F53: These athletes have nearly normal grip, no use of trunk or legs. Or they have hand function of F52 with trunk muscles. Shot: Usually a good fist can be made, so they are able to use some spreading of the fingers and can “grasp” the shot when putting. Discus: They have good finger function to hold the discus, and may be able to impart spin to the discus. Javelin: They usually grip the javelin between the thumb and index finger. They have the ability to hold the javelin because of the ability to use hand muscles that spread and close the fingers. Neurological level: C8.

Class F54: These athletes have normal or nearly normal hand function, but no sitting balance, or they have hand function of F53 with trunk muscles. They put the shot, and throw the discus and javelin. Usually they hold onto part of the chair for balance while throwing. Some athletes in this class will have normal hand function, but no functional trunk movements. Others will have some trunk movements, but hand function such as F53. Neurological level: T1-T7.

Class F55: Three trunk movements may be seen in this class: 1) off the back of the chair (in an upward direction); 2) movement in the forward and backward plane; and 3) some trunk rotation. They have fair to good sitting balance. They do not have functional hip movement, so do not have the ability to lift the thigh upward in sitting. They may have stiffness of their spine that improves balance, but reduces the ability to rotate the spine. With the shot and javelin,

they tend to use forward and backward movements, whereas with the discus they predominantly use a rotary movement. Neurological level: T8-L1.

Class F56: These athletes also put the shot and throw the discus and javelin. They have very good balance and movements in the forward and backward plane, with good trunk rotation. They can lift their thighs off the chair and press the knees together. Some have the ability to straighten and bend their knees. Neurological level: L2-L5.

Class F57: These athletes also have the ability to move side to side, so they can throw across their body. They usually can bend one hip backward to push the thigh into the chair, and can bend one ankle downward to push down with the foot. Neurological level: S1-S2. (Athletes in this class choosing to compete standing rather than seated are classified as Class 42-44, depending on level of function.)

Athletes compete in the shot put, discus, javelin and club. All classes F51-F57 throw from a throwing circle 2.135m to 2.50m in diameter. Their chairs are tied down with various types of straps and hooks to assure the chair does not move during their throw. It is not necessary for the field chair to have wheels. Throwing cages are advisable for the discus and club to protect others.

The following are the 2015 rule modifications to IAAF/USATF rules for competitions for athletes with disabilities, based on the IPC rules. **The rule numbers noted refer to the USATF Rule Book (although there may be slight discrepancies due to any modification of rule numbering for this year's version of the rule book). While the rule modifications presented here should cover most situations, if there is any question not immediately answered by the following, then see the IPC rule book (<http://www.paralympic.org/athletics/rules-and-regulations/rules>) for further clarification.** (Further modifications applicable only to US Junior competitions and WTFUSA rules for athletes under age 14 are in parentheses and italicized. Full USA WTFUSA rules and exceptions that cover all athletes with disabilities divisions are available on the WASUSA.org website - <http://www.WASUSA.org>.)

## SECTION I – OFFICIALS

### Rule 129: Starter and Recall Starters

Rule 129.3 (Classes T32-34, T51-54)

Add: Note 2: In wheelchair races of 800m or longer the starter has the authority to recall a race for a restart if a collision involving athletes in the race occurs in the first 50m. This does not reduce or remove the authority of the Referee to take appropriate action on reports received from umpires during this portion of the race.

## SECTION II - GENERAL COMPETITION RULES

### Add: Rule 141.2: Age Groups

Rule 141.2 (All Classes)

The following age groups are recognized by IPC Athletics:

- (a) Junior Males and Females: Any athlete of 18 or 19 years on 31<sup>st</sup> December in the year of the competition.
- (b) Youth Boys and Girls: Any athlete of 16 or 17 years on 31<sup>st</sup> December in the year of the competition.

- (c) Under 16 Boys and Girls: Any athlete of 14 or 15 years on 31<sup>st</sup> December in the year of the competition.
  - (d) Under 14 boys and girls: Any athlete of 11,12 or 13 years on the 31<sup>st</sup> December in the year of competition.
  - (e) Under 11 boys and girls: Any athlete of 7,8,9 or 10 years on the 31<sup>st</sup> December in the year of competition.
- Note: An athlete must be 14 by 31<sup>st</sup> December in the year of competition to compete in a senior event.

**Rule 143: Clothing, Shoes and Number Bibs**

Rule 143.1 (Classes F32-34, F51-57)

Add: Note: In field events clothing must be close fitting, and not be loose, so that the view of the judges is not impeded.

Rule 143.4 (Classes T32-34, T51-54, F32-34, F51-57)

Add: Note 2: Every athlete must be provided with an additional number bib to be worn visibly on the back of the chair or throwing frame.

Rule 143.4 (Classes T32-34, T51-54)

Add: Note3: In all individual and team track and road wheelchair races, these numbers shall be worn on the helmet.

Add: Rule 143.12 (Classes T/F35-38, T/F42-47)

Athletes may wear a prosthetic or orthotic in order to ensure both legs or arms are of equal length or balanced.

Prosthetic/s or orthotic/s are required to comply with IPC Athletics “spirit” of the influence of technology on equipment guidelines contained in Article 3.5: Technology & Equipment [in the IPC Athletics rule book].

Prosthetic(s) or orthotic(s) should be reviewed by the Technical Official responsible for checking athletic equipment at IPC Athletics Approved Competitions. They should advise the IPC Athletics Technical Delegate regarding any equipment that they believe may breach the guidelines contained in Article 3.5: Technology & Equipment prior to the commencement of the respective event. The IPC Technical Delegate can rule whether or not the equipment can be used during the respective event.

Add: Rule 143.13 (Classes T42-44)

In track events athletes in Sports Classes T42-44 must use leg prostheses. Hopping is not allowed in track events.

Add: Rule 143.14 (Classes F42-44)

In field events athletes in Sports Classes F42-44, the wearing of prostheses is optional.

Add: Rule 143.15 (Class T/F11)

Athletes in Classes T/F11 must wear approved opaque glasses or an appropriate substitute in all track and/or field events. The opaque glasses or their substitute must be approved by the responsible technical official. When the athlete is not competing, the opaque glasses or their substitute may be removed.

Add: Rule 143.16 (Classes T32-34, T51-54)

The wearing of helmets is compulsory in all individual and team track races and in all road races. The helmet shall be a hard protective shell that meets a recognized international safety standard (e.g., Snell b-84/90/95; BSI 6863; EN 1078).

*(US exception for Juniors: Athletes with a helmet but without a certified label will be deemed unacceptable and may not race. The rule applies whenever the athlete is in the competition venue.)*

#### **Rule 144: Assistance to Athletes**

Add: Rule 144.3(k) (Classes T/F11-12, F31-32, F51-53, F54)

Guide-runners for Classes T/F11-12 athletes, and Guides for athletes in Classes F31-32, F51-53 will be permitted to accompany athletes onto the competition area. Class F54 athletes that can show a medical document, approved by the event medical committee, may also be accompanied by a guide. Guide-runners or Guides must be clearly identified by wearing a distinctively colored vest provided by the Local Organizing Committee.

Add: Rule 144.3(l) (Classes F31-32, F51-53)

Athletes in Classes F31-32, F51-53 are permitted one Guide per event who can assist:

- (a) officials to ensure the athlete transfers safely to the throwing frame, and
- (b) assist athletes to strap themselves to their throwing frame.

The Guide must withdraw from the competition area once they have completed these tasks and must follow any directives from the officials of the event while they are in the competition area.

Note: Strapping: If used must be only to the frame with non-elastic material.

Add: Rule 144.3(m) (Classes T11-12)

Athletes in Classes T11-12 are encouraged to provide their own Guide-runners. However the organizers should provide an appropriate guide-runner if the need has been indicated on the entry form in advance following the “request for a Guide-runner” requirements of the Local Organizing Committee.

Add: Rule 144.3(n) (Classes T11-12)

The method of guidance for athletes in Classes T11-12 is the choice of the athlete. The athlete may choose to use an elbow lead, a tether or to run free. In addition, the runner may receive verbal instruction from the Guide-runner. The guide is not allowed to use a bicycle or other mechanical means of transport.

Add: Rule 144.3(o) (Classes T11-12)

The Guide-runner is not allowed to pull or propel the athlete in Classes T11-12 in order to gain an advantage at any stage during the race.

Add: Rule 144.3(p) (Classes T11-12)

Whether or not a tether is being used, athletes in Classes T11-12 and their Guide-runners must not be more than one full stride length apart, except:

- (a) Under exceptional circumstances at the discretion of the Technical Delegate (or Referee), or
- (b) During the last 10m of an event the one full stride length rule does not apply provided interference does not occur.

Add: Rule 144.3(q) (Classes T11-12)

For races further of 5000m or longer athletes in Classes T11-12 are allowed to use two (2) Guide-runners. However, only one (1) interchange of Guide-runners is permitted for each athlete per race. The interchange must take place without any hindrance to other athletes,

and must take place only on the back straight. The intention to interchange Guide-runners must be notified in advance to the Referee and Technical Delegate. The technical officials will determine the conditions of the interchange and will communicate these in advance to the athletes.

Add: Rule 144.3(r) (Classes F11-12)

A Guide may bring athletes to the throwing circle or runway. The Guide may assist the athlete by orienting them with the throwing circle or on the runway before each attempt. The Guide must leave the circle or runway before the attempt begins. Acoustic orientation is permitted before, during and after each attempt. Athletes may only be guided from the circle or runway after the officials have determined whether or not the attempt was a valid one.

Note: If the official in charge of the event decides that a Guide who is providing acoustic orientation is in an unsafe location then the official has the right to require the Guide to move.

Add: Rule 144.3(s) (Class F11)

For athletes in Class F11, acoustic signals are permitted during the Long Jump, Triple Jump and High Jump. However, no visual modification to the existing facility is permitted. In events where acoustic assistance is being used complete silence shall be requested from spectators.

Note: Whenever possible, to ensure silence, events in which acoustic assistance is being used should not be timetabled together with other running events.

Add: Rule 144.3(t) (Class F12)

For athletes in Class 12, visual modification of the existing facility is permitted during field events (i.e., Paint, chalk, powder, cones, flags, etc.) at the discretion of the Technical Delegate or Referee. Acoustic signals may also be used.

Add: Rule 144.3(u) (Classes T20, T35-38, T42-T47)

Some athletes in Classes T20, T35-38 and T42-47 may require their starting blocks to be set for them, or their runway markers to be at a pre-set distance from the take-off board, prior to the competition. The Technical Delegate (or Referee) will provide the appropriate athletes with a document on which to show their requirements.

Note: IPC Athletics recognizes the special needs of deaf-blind athletes, and is keen to encourage and facilitate their participation in competition. In cases where deaf-blind athletes are competing in an event, some “common sense” modification to current IPC Athletics Rules may be necessary. Such modification should only be permitted with the prior approval of the Technical Delegate. In principal, no rule modification that disadvantages any other athlete will be allowed.

Rule 144.7 (Classes T11-T12)

Add: Note: In events of 800m and above, people other than officials may call intermediate times from an area inside the competition area that has been designated for that purpose by the appropriate referee.

### **Rule 145: Disqualification**

Add: Rule 145.4 (Classes 51-57)

Athletes must ensure that urine is not allowed to drain from storage devices such as leg bags onto the competition or warm up areas. Failure to do so may result in disqualification.

### SECTION III - TRACK EVENTS

#### **Add: Rule 158: Wheelchair Track (Classes T32-34, T51-54)**

Rule 158.1 The wheelchair shall have two (2) large wheels and one (1) or two (2) small wheels. The small wheel(s) must be at the front of the chair. (Note that in Paralympic Games, IPC World Championships and IPC Regional Championships wheelchairs shall have two large wheels and one (1) small wheel.)

Rule 158.2 (a) No part of the body of the wheelchair may extend forward beyond the hub of the front wheel and be wider than the inside of the hubs of the two rear wheels. (b) The maximum height from the ground of the main body of the wheelchair shall be 50cm. (c) No part of the wheelchair may protrude behind the vertical plane of the back edge of the rear tires.

Rule 158.3 (a) The maximum diameter of the large wheel including the inflated tire shall not exceed 70cm. (b) The maximum diameter of the small wheel including the inflated tire shall not exceed 50cm.

Rule 158.4

Only one plain, round, push-rim is allowed for each large wheel.

Note: This rule may be waived for persons requiring a single arm drive chair, if so stated on their medical and Games identity cards or at the discretion of the Technical Delegate (or Referee) in consultation with the Chief Classifier.

Rule 158.5

No mechanical gears or levers are allowed to propel the wheelchair.

Rule 158.6

Only hand operated, mechanical steering devices are allowed.

Rule 158.7

In all races, the athlete must be able to turn the front wheel(s) manually both to the left and to the right.

Rule 158.8

The use of mirrors is not permitted in wheelchair track or road races.

Rule 158.9

Wheelchairs will be measured and inspected in the Call Room and must not leave that area before the start of the event. Wheelchairs can be re-examined by the officials before or after the event.

Rule 158.10

Athletes must ensure that no part of their lower limbs can fall to the ground or track during the event.

Rule 158.11

It is the responsibility of the competitor to ensure the wheelchair conforms to the requirements stipulated above. No event shall be delayed while an athlete makes adjustments to the wheelchair.

Rule 158.12



It shall be the responsibility of the Technical Officials (i.e., Judges and Referees) to rule on the safety of the wheelchair and the athlete using it.

For Class T32, Rules 158.1-12 apply to this class with the following exception

- a) In all competitions the wheelchair configuration may have two (2) large wheels and a maximum of two (2) small wheels.
- b) The athlete may propel the chair with the feet and can do so forward or backward.
- c) Class 2 lower athletes are exempt from any rules insisting that no part of the limbs should fall to the ground or track during an event.
- d) Mirrors are allowed on the chair.

If a T32 competes in a higher class, these exceptions to this rule do not apply.

### **Rule 161: Starting Blocks**

Rule 161.2 (Classes T35-38, T42-47)

In the first line replace “are to” with “may” in relation to the application of this rule to athletes in Classes T35-38 and T42-47.

Add: Note 3: A four-point stance is not required by athletes in any of these Classes. It is acceptable for arm amputee athletes or those with short arms to use pads on which to rest stumps at the start or to improve balance. Pads must be completely behind the start line and not interfere with any other athlete. The pads should be a similar color to the track or of a neutral color. As per Rule 144.2(u), some athletes in Classes T35-38 and T42-47 may require their starting blocks to be set for them prior to the competition. The Technical Delegate (or Referee) will provide the appropriate athletes with a document on which to show their requirements.

*(US exception for Juniors: For athletes in Classes T11-12 and T20 (U11 and U14), the general rules regarding the use of starting blocks are waived. The use of starting blocks and stance is within the discretion of the competitor.)*

### **Rule 162: The Start**

Rule 162.5 (Classes T11-13, T20, T35-38, T42-47, T51-54)

Add: Note: Where a competitor has a hearing impairment, a flag or other visual device may be used as well as a pistol to signal the start. In some circumstances, for athletes with both a visual and a hearing impairment, an official may touch an athlete to signal the start.

Rule 162.7 (Classes T32-34, T51-54)

Replace with: After the “On Your marks” command, an athlete shall approach the start line, assume a position entirely within his allocated lane and behind the start line. At the “Set” command, an athlete shall immediately take up his final starting position retaining the contact of the front wheel with the ground behind the line.

Rule 162.15 (Classes T32-34, T51-54)

Add: Note 2: As per Rule 129.3 (Note 2), in wheelchair races of 800m or longer the starter has the authority to recall a race for a restart (but is not obliged to do so) if a collision involving athletes in the race occurs in the first 50m. This does not reduce or remove the authority of the Referee to take appropriate action on reports received from umpires during this portion of the race.

*(US exception for Juniors: For all U11 and U14 class athletes competing in track the zero false start rule is amended to allow one false start on the field before an athlete is disqualified.)*

## **Rule 163: The Competition**

Note: The provisions of Rule 163.4 apply to both the athlete and guide runner in Classes T11-12.

Add: Rule 163.15 (Classes T32-34, T51-54)

During wheelchair races propulsion by any other method except the athlete pushing on the wheels or push-rims will result in disqualification.

Add: Rule 163.16 (Classes T32-34, T51-54)

During wheelchair races an athlete coming from behind in an attempt to overtake carries the responsibility of ensuring full clearance of the chair being overtaken before cutting across. The athlete being overtaken has the responsibility not to obstruct or impede the incoming athlete once the front wheel(s) of the athlete are in sight.

Add: Rule 163.17 (Classes T11-12)

Athletes in Class 11 compete accompanied by a Guide-runner for all track events. In the 100m, 200m and 400m events each athlete and Guide-runner shall be allocated two lanes. The start lines in a staggered start will be those for lanes 1, 3, 5, 7 etc. This rule also applies to 800m events started in lanes.

Class 12 athletes have the option of being accompanied by a Guide-runner for all track events. In the 100m, 200m and 400m events each athlete and Guide-runner shall be allocated two lanes. The start lines in a staggered start will be those for lanes 1, 3, 5, 7 etc. This rule also applies to 800m events started in lanes.

*(US exception for Juniors: USA INTERPRETATION OF THE FINISH RULE: There is confusion in the interpretation of the finish in-lane rule and its exceptions. To clarify this rule for the USA, athletes competing in single lane, in-lane races that finish with at least 1 foot in-lane or more than one-half of their wheelchair in lane will not be disqualified, if they do not impede another athlete. Athletes allowed to use 2 lanes must finish in their lane.)*

## **Rule 164: The Finish Line**

Add: Rule 164.5 (Classes T32-34, T51-54)

In wheelchair races the athletes shall be placed at the finish in the order in which the axle of the leading wheel reaches the vertical plane of the nearer edge of the finish line as defined above.

Add: Rule 164.6 (Classes T11-12)

In races for athletes in Classes T11-12 competing with a Guide-runner, the athlete must cross the finish line in front of the Guide-runner or the athlete will be disqualified.

Note: As per Rule 144.3(p), athletes in Classes in T11-12 and their Guide-runner must not be more than one full stride apart, except during the last 10m of an event.

Add: Rule 164.7 (Classes T32-34, T51-54)

Event time limits: In wheelchair races of 1,500m or longer, officials may conclude the event and clear the track after the agreed time limit has expired. Any athlete who has not completed the set distance when an event is concluded shall be shown in the official results as “DNF” (Did not finish). The referee has the authority to remove any athlete who has been lapped.

*(US exception for Juniors: The time limit for the 5000M will be 30 minutes.)*

## **Rule 165: Timing**

Rule 165.4 (Classes T32-34, T51-54)

Add: In wheelchair races the time shall be taken to the moment at which the axle of the leading wheel of the athlete's chair reaches the vertical plane of the nearer edge of the finish line.

## **Rule 166: Seedings, Draws and Qualifications in Track Events**

Rule 166.1(a) (Classes T11-13)

Add: Note 2: Track events in Classes T11-13 should have the following maximum numbers (exclusive of guides) assuming an eight-lane track:

<b>Event</b>	<b>T11</b>	<b>T12</b>	<b>T13</b>
<b>100m</b>	4	4	8
<b>200m</b>	4	4	8
<b>400m</b>	4	4	8
<b>800m</b>	4/5*	5*	8
<b>1,500m</b>	6	8	10
<b>5,000m</b>	10	10	20
<b>10,000m</b>	10	10	20

\* = depending on starting arrangements.

## **Rule 170: Relay Races**

Add: Rule 170.0 Relay team composition

(Classes T11-13) The relay team must include a minimum of one Class 11 and not more than one Class 13 runner.

(Classes T33-34) The relay team must include at least one athlete from Class T33.

(Classes T35-38) Can include a maximum of two Class T38 athletes.

(Classes T42-47) Can include a maximum of two Class T46/47 athletes.

(Classes T51-52) Must include at least one Class T51 athlete.

(Classes T53-54) Must include at least one Class T53 athlete.

Rule 170.6 (Classes T11-13, T32-34, T51-54)

Add: Note: For wheelchair relays and relays for Classes T11-13 (i.e., involving Guide-runners), where it is required for the relay to be run in lanes, each team shall be allocated two adjacent lanes. The athletes may use either of their two allocated lanes. The lines on the inner of the two allocated lanes shall be extended across the outer of the two allocated lanes to mark the distances of the stages (i.e., exchange zones) and to denote the scratch lines. Changes will take place as for lanes 1, 3, 5 and 7. The extension of start and exchange box lanes should be done with tape of the same color as the existing lane markings.

Rule 170.12 (Classes T32-34, T51-54)

Add: Note: In wheelchair relays of 4x100m and 4x400m members of a team, other than the first athlete, may commence pushing not more than 20m outside the take-over zone. A distinctive mark shall be made in each lane to denote this extended limit.

Rule 170.17 (Classes T32-34, T42-46, T51-54)

Add: For wheelchair relays (T33-34, T51-54) and amputee relays (T42-47) the take-over shall be by a touch on any part of the body of the outgoing athlete. The first touch must be within the take-over zone.

Add: Rule 170.25 (Classes T11-13)

(a) Either the athlete or the Guide-runner can carry the baton. (b) The baton exchange may take place between either Guide-runners or athletes without restriction, except that the conditions of the method of guidance as per Rule 144.3(p) must be met (i.e., athlete and Guide-runner must be within one full stride length of each other). (c) The Guide-runner must be behind the athlete at the moment of entering the exchange zone. (d) A fair exchange is established when the baton carrier passes the baton to the baton receiver within the exchange zone. (e) The outgoing athlete and their Guide-runner must both be inside the exchange zone at the moment when the baton is exchanged. (f) Once the outgoing runner leaves the exchange zone, they cannot re-enter the exchange zone to receive the baton (i.e., they go too early). (g) One Guide per exchange zone will be allowed on the track to help with the positioning of any Class T12 athlete competing without a Guide-runner. The Guide must remain in a position that does not interfere with the conduct of the race.

## SECTION IV - FIELD EVENTS

### **Add: Rule 178: Specific Field Rules**

Rule 178.1 (Classes F31-34, F51-57)

#### 1. Throwing Frame Specifications:

(a) The maximum height of the seat surface, including any cushioning, shall not exceed 75 cm;

(b) Each throwing frame must have a seat which is square or rectangular in shape and each side at least 30 cm in length. The seat surface must be level or with the front higher than the back (i.e. inclined backwards). The front of the seat cannot be lower than the back.

Note 1: The front is the plane furthest from the athlete's spine with the athlete in a seated position regardless of the direction of the athlete in relation to the landing area.

Note 2: The corner(s) of, or notches in, the seat surface may be cut to accommodate side and/or back rests or a holding bar into the main throwing frame. The size of these cuts shall not be appreciably more than the space needed to insert the rests or the holding bar in them. The overall shape of the seat shall remain square or rectangular.

(c) The seat may incorporate side and back rests for the purposes of safety and stability. They can either be made of non-elastic fabric (e.g., non-elastic canvas) or be a rigid construction that does not move (e.g., rigid steel or aluminum). The backrest may incorporate cushioning that must not exceed 5 cm in thickness.

(d) The back rest should not incorporate springs or movable joints or any other feature that could assist with propulsion of the throwing implement;

(e) The throwing frame may have a rigid holding bar. The holding bar must be a single, straight piece of material without curves or bends, and with a cross-sectional profile that is circular or square, not oval or rectangular. It must not incorporate springs or movable joints or any other feature that could assist with propulsion of the throwing implement;

Note 1: It is understood that most materials will flex and distort to some degree under pressure and it will not be practical or economically viable to engineer a solution whereby all flexing is totally eliminated. However, flexing must not be clear to the naked eye and in the opinion of the technical officials the spirit of these rules and Regulation 3.3 is being breached.

Note 2: The holding bar may have layers of tape and/or any other suitable material to provide a better grip. The thickness of the tape or other alternative material must not result in any unfair advantage exceeding athlete's physical prowess.

(f) No part of the throwing frame, including any holding bar, shall move (save for incidental movement that cannot reasonably be eliminated) during the throwing action.

(g) Footplates, if used, are for support and stability only.

(h) A daily wheelchair that satisfies these criteria is acceptable (including the requiring that it must not move during the throwing action).

#### Rule 178.2 (Classes F31-34, F51-57)

Throwing frames will be measured and inspected in the Call Room or at the competition area prior to the commencement of the event. Once it has been measured and inspected, an athlete's throwing frame must not be taken from the competition area before the start of the event. Throwing frames can be re-examined by the officials before, during or after the event.

Note: Measurement will always take place without the athlete sitting in the frame.

#### Rule 178.3 (Classes F31-34, F51-57)

It is the responsibility of the athlete to ensure that the frame conforms to the requirements stipulated above. No event shall be delayed while an athlete makes adjustments to their throwing frame.

#### Rule 178.4 (Classes F31-34, F51-57)

All Secured throwing events should be conducted from a circle, diameter 2.135m to 2.50m, into a sector as described in Rule 187. Movable platforms can be used at the discretion of the Technical Delegate (or Referee). The platform does not have to be a full circle, but in these circumstances the front arc or semi-circle must be designed to give the same effect of throwing from a circle, diameter 2.135m to 2.5m, and not alter the angle of the sector.

#### Rule 178.5 (Classes F31-34, F51-57)

When positioning and securing the throwing frame inside the competition area all parts of the throwing frame, holding bar and footrests must remain inside the vertical plane of the rim of the circle throughout the trial. The leading edge of the holding bar must be positioned in the line of the vertical plane of the throwing circle. (Note that the IPC has confirmed that if an athlete's feet are fastened to footplates that are off the ground, any part of the foot that protrudes from the plate can be outside the vertical plane of the circle as long as the foot does not touch the ground.)

#### Rule 178.6 (Classes F31-34, F51-57)

A reasonable time will be permitted for an athlete's frame to be placed in the circle before the commencement of their first trial. This time should not normally exceed:

(a) 2 minutes for Classes F32-34 and F54-57, or

(b) 3 minutes for Classes F31 and F51-53.

Note: While the responsibility for tying down rests with officials and volunteers, the Technical Delegate (or Referee) will issue specific interpretations at each competition that ensures athletes do not engage in time-wasting tactics.

#### Rule 178.7 (Classes F31-34, F51-57)

If a holding device should break or fail during the execution of a throw, then the overseeing official should:

- (a) if the athlete does not foul, offer the athlete the option of re-taking that trial (i.e., if the athlete is happy with the distance and they haven't fouled, then the athlete has the option of counting the affected trial), or
- (b) if the athlete fouls, then the trial should not be counted and the athlete should be allowed to retake the affected trial.

**Add: Rule 179: Secured (Seated) Throwing Technique, Lifting and Fouling**

Rule 179 (Classes F31-34, F51-57)

1. In Secured Throw Events, all athletes (Sport Classes F31-34, F51-57) shall throw implements from a Throwing Frame in a seated position. The seated position is defined as follows:

a) The athlete must sit so that both legs are in contact with the seat surface from the back of the knee to the back of the buttock (Ischial tuberosity). For athletes with lower limb above and through the knee amputation, the residual length of the leg(s) must be in contact with the seat to the back of the buttock (ischial tuberosity).

b) This sitting position must be maintained throughout the throwing action until the throw has been marked. Strapping across the upper thighs and/or pelvis is encouraged.

Note: The intention of this rule is to minimize contribution of the legs to the athlete's performance.

2. An athlete shall commence his trial from a stationary seated position.

3. An athlete is not allowed to touch the strap(s) outside the vertical plane of the throwing circle.

4. It shall be a failure if an athlete moves from the seated position from the time the athlete takes the implement into the starting position of the trial until the throw has been marked by an official.

Note (i): If an athlete presents with anatomical limitation that prevents adherence to the above requirements, then an assessment will need to be made by IPC Athletics in advance of the event. IPC Athletics shall establish a process for such exception to be granted so that the athlete is throwing within the spirit of the rules.

Note (ii): For Classes F32-34 and F51-57, from start to finish the movement of the shot shall be a straight, continuous putting action.

**Rule 180: General Conditions (Field Events)**

Rule 180.1 (Classes F31-34, F51-57)

In relation to secured throwing events, the second sentence of this rule should be deleted.

Add: Rule 180.4(i) (Classes F11-12)

During Jump Events, athletes in Class F11 can be accompanied onto the field of play by two (2) persons to:

(1) act as a caller (i.e., instead of markers) to provide acoustic orientation during the approach run in the High Jump, Long Jump and Triple Jump, and/or

(2) assist in positioning the athlete on the runway.

During throwing events, athletes in Class F11 can be accompanied onto the field of play by one (1) person only to act as caller and/or guide.

In Class F12, only one (1) person can accompany an athlete onto the field of play to act as caller and/or guide for all jumping and throwing events.

Note 1: the caller must stand in a position that does not hinder the officials. The caller must not run alongside or behind the athlete during a trial.

Note 2: Some Class 20, 35-38 and 42-47 athletes may require assistance in setting their runway markers prior to the competition. This would also apply to the javelin. The

Technical Delegate (or Referee) will provide the appropriate athletes with a document on which to show their requirements.

**Rule 180.4 (Classes F31-34, F51-57)**

Add: Note 1: In competitions other than Paralympic Games or World Championships, the Technical Delegate (or Referee) may decide, in co-operation with the Competition Organizers, to stage six (6) throws consecutively. The Technical Delegate (or Referee) may, to guarantee a quick conduct of the event, also decide this in a competition with more than eight (8) athletes. In that situation all athletes will have six (6) attempts. The Technical Delegate (or Referee) may not decide this in competitions where the first three rounds (preliminary rounds) are held in two or more flights.

Note 2: During secured throwing events, no reversal of throwing order will take place after the 3<sup>rd</sup>, 4<sup>th</sup> or 5<sup>th</sup> rounds, except:

(a) where the first three (3) rounds are held in two or more pools (flights). In such circumstances the final three (3) rounds will be held in reverse order of performance up to that point.

(b) in competitions where the Technical Delegate (or Referee) decides not to stage six (6) attempts consecutively (see previous Note).

**Rule 180.19 (Classes F11-12)**

Add: Note 4: In field events where athletes receive assistance from callers or guides, the time allowed shall begin from the moment when the official responsible is satisfied that the athlete has completed the process of orientation. Should any athlete request verbal confirmation of the starting of the timing clock, an official shall give such confirmation.

Note 5: If the athlete loses orientation and requires to be re-oriented, the clock shall be stopped and only restarted (to include any elapsed time already recorded) once orientation has again been completed.

**Add: Rule 180.21 (Classes F42-44)**

Athletes in Classes F42-44 may use a running, hopping or standing start in jumping events.

**Add: Rule 180.22**

At all IPC Athletics recognized competitions, the Local Organizing Committee may use the IPC Combined Class Procedures and Tables to stage combined class events (i.e., including more than one Class in an event).

Note: For information regarding IPC Athletics Combined Class Procedures and Tables, please refer to the IPC Athletics website

<http://www.paralympic.org/Athletics/Rulesandregulations/Rules>.

*(US exception for Juniors: All Wheelchair athletes competing in wheelchairs may contest field competitions on a flat grassy area without a pad or cage and do not require a toe board.)*

**Rule 182: (A) Vertical Jumps - High Jump**

**Rule 182.3 (Class F11-12)**

Add: Note 2: Athletes in Class F11 may touch the bar as an aid to orientation before commencing the run up. If, on so doing, the athlete dislodges the bar, this will not count as an attempt.

Add: Note 3: Athletes in Class F12 may place an appropriate visual aid on the bar.

**Rule 182.3 (Class F42-44)**

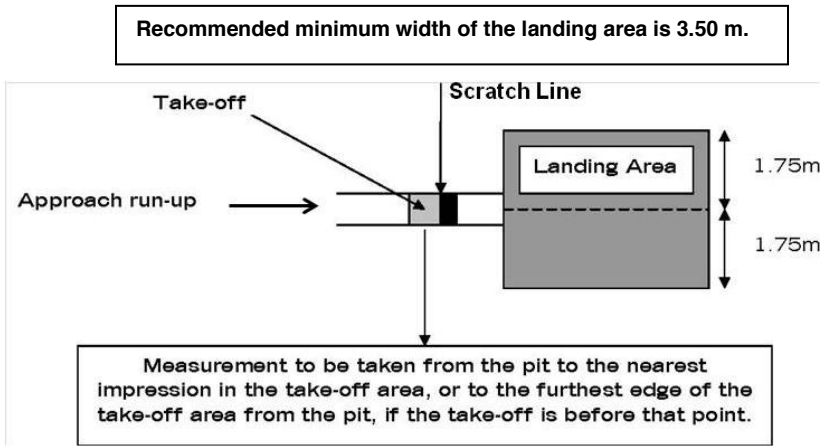
Add: Note 3: If the prosthesis is lost during the run-up then the athlete can try to adjust it and continue within the allowed time, or continue without the prosthesis; if in the process

of jumping an athlete loses their prosthesis and the prosthesis does not clear the bar along with the athlete, it shall be counted as a failure and recorded as such.

### **Rule 184: Horizontal Jumps - General Conditions**

Rule 184.3 (Classes F11-12)

Add: Note: For athletes in Classes F11 and F12, the takeoff area shall consist of a rectangle 1.00m x 1.22m, as depicted in the diagram below, which must be prepared in such a way (by use of chalk, talcum powder, light sand, etc.) that the athlete leaves an impression on the area with his/her takeoff foot.



Rule 184.6 (Classes F11-12)

Add: Note 2: For purposes of safety, it is strongly recommended that the minimum distance between the axis of the runway and the sides of the landing area be 1.75m. If this recommendation cannot be met, the Technical Delegate or Referee may require additional safety measures.

Rule 184.8 (Classes F11-12)

For athletes in Classes F11 and F12 replace Rule 184.8 with: "All jumps shall be measured from the nearest impression left by the take-off foot to the nearest break in the landing area made by any part of the body of the competitor (including shoes and uniform). Where an athlete does not take off from the take-off area, but before it, measurement will be made to the edge of the takeoff area furthest from the pit."

Add Rule 184.10 (Classes F42-44)

- (a) If the prosthesis is lost during the run-up, then the athlete can try to adjust it and continue within the allowed time, or continue without the prosthesis.
- (b) If, in the process of jumping, an athlete loses the prosthesis and the mark where the prosthesis lands is the closest mark to the take-off board in the landing area, then that is the mark that the trial will be measured from.
- (c) If the prosthesis lands behind the closest mark in the landing area, but outside the landing area, it shall be counted as a foul and recorded as such.

### **Rule 186: Triple Jump**



Rule 186.3 (Classes F46)

Replace with: "The take off board will normally be set at 9m for women and 11m for men."

Rule 186.3 (Classes F11-13)

Replace with: "For International Competitions it is recommended that the take off board shall be the following distances: Class 11 minimum 9m; Classes F12 and F13 minimum 11m."

Note: the exact distance from the board to pit shall be determined for each competition in consultation with the Technical Delegate or Referee.

### **Rule 187: Throwing Events - General Conditions**

Rule 187.1(b) (Classes F32-34, F51-57)

Add: Note: A stop board is unnecessary for all athletes competing from frames.

Rule 187.1(c) (Classes F31-34, F51-57)

Replace with: "touches with any part of their body the top of the rim, any holding device outside the vertical plane of the edge of the Circle, or the ground outside the circle."

Rule 187.3(a) and (b) (Classes F51-57)

Replace with: (a) The following shall be considered assistance and are therefore not allowed:

- i) The taping of two or more fingers together. If taping is used on the hands and fingers, it may be continuous provided that as a result no two or more fingers are taped together in such a way that the fingers cannot move individually. The taping should be shown to the Chief Judge before the event starts.
  - ii) The use of any device of any kind, including weights attached to the body, which in anyway provides assistance when making a trial;
  - iii) Use of gloves, except for athletes in Classes F51-53 that is not in contravention Rule 187.3(b)(v);
  - iv) The spraying or spreading of any substance, by an athlete, in the circle or on their shoes or the roughening of the surface of the circle.
- (b) The following shall not be considered assistance and are therefore allowed:
- i) The use by an athlete, in order to obtain a better grip, of a suitable substance on his hands only. Shot putters may use such substances on their neck;
  - ii) The placement by an athlete, in the Shot Put, Discus Throw and Club Throw, on the implement, chalk or a similar substance. All substance used shall be easily removable using a wet cloth and shall not leave any residue;
  - iii) The use of taping on the hands and fingers that is not in contravention of Rule 187.3(a)(i);
  - iv) The use of gloves that is not in contravention of Rule 187.3(a)(iii);
  - v) Athletes in Sport Classes F51-53 (i.e., quadriplegic athletes) may use strapping or a glove on their non-throwing hand and anchor/attach that hand to the throwing frame or holding bar.

Rule 187.5 (Classes F31-34, F51-57)

Add: Note: This rule shall be waived for competitors using an IPC Athletics approved holding device.

Rule 187.11

Add: Implements used at IPC Athletics recognized competitions must comply with IAAF specifications. Only implements that hold a current valid IAAF certificate of approval may be used at these competitions. Appendix I lists the implement weights to be used by:

- (a) “Open Age” athletes for each of the IPC Athletics classes at IPC Athletics recognized competitions.
- (b) “Under Age” athletes for each of the IPC Athletics during events for “Under Age” athletes with disability (AWDs) for the respective age groups recognized by IPC Athletics as defined in Rule 141.
- (c) for “Under Age” groups U/14 and U/11 recognized by WSUSA.

**Rule 187.18 (Classes F32-34, F51-57)**

- Add: (a) IPC Athletics approved holding device must be used to conduct secured throwing events at IPC Athletics recognized competitions.
- (b) At Paralympic Games, IPC World Athletics Championships and IPC Athletics Regional Championships the interior of the Throwing Circle should be constructed of concrete, asphalt or a similar non-slippery material.
- (c) Where a portable IPC Athletics Approved Holding Devices is being used the surface must provide similar grip to a concrete throwing surface (e.g. coated in gritty paint OR covered in “gritty tape”).
- (d) Movable platforms can be used at the discretion of the Technical Delegate. The platform does not have to be a full circle, but in these circumstances the front arc or semi circle must be designed to give the same effect of throwing from a circle, diameter 2.135m to 2.5m and not alter the angle of the sector.
- Note: For information regarding IPC Athletics approved holding devices, please refer to the IPC Athletics website <http://www.paralympic.org/athletics/rules-and-regulations/rules>.

**Rule 187 (Classes F31-34, F51-57)**

Add at end of Rule 187: Note: The rules for the club throw are the same as those of the seated discus (i.e., substitute “Club” for “Discus” throughout Rule 187).

**Rule 188: Putting the Shot**

**Rule 188.2 (Classes F32-34, F51-57)**

Add: Note 2: From start to finish, the movement shall be a straight, continuous putting action.

**Rule 189.1: Throwing the Discus**

*(US exception for Juniors: Note: The discus shall not be released from an overhand throw or from a position that begins at or near the midline of the body [i.e., a Frisbee throw].)*

**Rule 193.1(c): Throwing the Javelin**

*(US exception for Juniors: For age classes U/11 and U/14, a throw that lands flat or tail first will not be called a foul throw but will be marked at the rear of the grip (if flat) and at the point where the tail hits (if tail first). For all older age groups a tip-first landing is required.)*

**SECTION V - COMBINED EVENTS COMPETITIONS**

**Add: Rule 199: Format of IPC Athletics Pentathlons**

Rule 199.1 (Classes P11-13, P33-34, P35-38, P42, P44, P46, P51, P52-53, P54-57)  
The Pentathlon consists of five events which shall be held on one day. The events and the order which they are contested by the respective IPC Athletics Sports Classes at IPC Athletics Recognized Competitions are summarized in the Table below.

Sports Classes	Gender	Event 1	Event 2	Event 3	Event 4	Event 5
P11-13	M	Long Jump	Javelin	100m	Discus	1500m
P11-13	F	Long Jump	Shot-put	100m	Discus	800m
P33-34	M/F	Shot-put	Javelin	100m	Discus	800m
P35-38	Males	Long Jump	Javelin	100m	Discus	1500m
P35-38	F	Long Jump	Shot-put	100m	Discus	800m
P42	M/F	Long Jump	Shot-put	100m	Discus	200m
P44	M/F	Long Jump	Shot-put	100m	Discus	400m
P46	M	Long Jump	Shot-put	100m	Discus	1500m
P46	F	Long Jump	Shot-put	100m	Discus	800m
P51	M/F	100m	Club	400m	Discus	800m
P52-53	M/F	Shot-put	Javelin	100m	Discus	800m
P54-57	M/F	Shot-put	Javelin	200m	Discus	1500m

*(US exception for Juniors: The pentathlon is open to athletes ages 14 and older.)*

## SECTION VIII - ROAD RACES

### Rule 240: Road Races

Add: Rule 241.2 (b) (Classes T11-13)

Note 3: Athletes and their guides can receive assistance at the refreshment stations.

Organizers must ensure that officials are aware of the specific problems of safety presented in providing drinks to blind and partially sighted athletes, and that adequate training is given to all assistants involved.

Rule 241.2(f) (Classes T32-34, T51-54)

Add: Note: Wheelchair athletes may carry their own refreshments.

Rule 242.4 (Classes T11-13, T35-38, T42-47)

Add: Note 1: In road races, ambulant athletes from a range of Classes can start together, but the finishing order will be determined for each Class.

Rule 242.4 (Sport Classes T32-34 & T51-54)

Add: Note 1: In road races, wheelchair athletes from a range of Classes will start according to the decision of the Technical Delegate or Referee for the event, but the finishing order will be determined for each Class.

Note 2: Seeding for wheelchair road races should be by Class, Seed Time and Gender (i.e., T54/34 Males should be seeded in the front row/s, then T54/34 Females, then T52/33/51 Males and then the T52/33/51 Females). The start of each Class event/division should be separated by intervals of 30 seconds to 1 minute. The seeding grid for each Class event/division should position the #1 seeded athlete at the center position in the front row of the grid with #2 and #3 placed on their right and left, #4 and #5 on their right and left and so on.

Rule 243.3 (Classes “All competing Classes”)

Add: The Organizing Committee shall provide numbered bibs that distinguish between athletes of each Class.

Add: Rule 243.5 (Classes T32-34, T51-54)

Drafting behind an athlete from another Class or Gender is prohibited.

Note 1: Drafting is defined as seeking a performance advantage by following another athlete within a distance of less than 5m for 400m.

Note 2: This rule does not apply to races over 800m for T53 and T54, as they are considered one class.

Add: Rule 243.6 (Classes T11-12)

During road races athletes in Classes T11-12 are allowed to use a maximum of four (4) Guide-runners. Any interchanges must take place without any hindrance to other athletes, and must take place at either the 10km, 20km or 30km marks.

The intention to interchange Guide-runners must be notified in advance to the Referee and Technical Delegate. The technical officials will determine the conditions of the interchange and will communicate these in advance to the athletes and their Guide-runners.

Note: It is strongly recommended that organizers ensure that the race takes place in its entirety in good daylight conditions.

*(Additional exceptions for Juniors, regarding events and records:*

*- The softball throw has been eliminated for all but the U/14 and U/11 age groups.*

*- The athletes across all age categories eligible to throw the club are F31, F32 and F51 only.*

*- The sponge discus will be replaced with a 0.75kg discus.*

*- Terminology for records will consistently be stated as Junior National Record, National Record, Americas Record and World Record.*

*- Junior National Records must be verified with a steel tape by three USATF or higher certified officials. In the throwing events, the implement does not need to be reweighed.*

*- National, Americas and World Records must be verified with a steel tape by the Field Referee or his/her designee and two certified officials. In throwing events the implement must be recertified.*

*- Junior National Records can be broken only at the National Junior Disability Championships or at an IPC approved event, and are to be submitted to the WASUSA national office via formal application.)*

## **SPECIAL OLYMPICS**

The Official Special Olympics Sports Rules shall govern all Special Olympics athletics competitions. As an international sports program, Special Olympics has created these rules based upon IAAF and USATF rules for athletics. IAAF and USATF rules shall be employed except when they are in conflict with the Official Special Olympics Sports Rules. In such cases, the Official Special Olympics Sports Rules shall apply. These rules may be found at: <http://www.specialolympics.org/uploadedFiles/athletics.pdf>.

See the Official Special Olympics Sports Rules for special events for athletes with lower ability levels (e.g., softball throw, wheelchair slalom, motorized wheelchair events) and for pentathlon scoring tables.

USA Track & Field rules shall be followed for all Track and Field Competition with the following rule modifications:

Rule 161.1 and 2

Modification: In all races up to and including the 400m, the athletes have the option of using or not using starting blocks.

Rule 168.1

Add: The standard hurdle heights and placements shall be:

Distance of Race	Height of Hurdle	Distance from Start to First Hurdle	Distance between Hurdles	Distance from Last Hurdle to Finish Line
100m	0.762m(30")	13.00m	8.50m	10.50m
110m	0.840m(33")	13.72m	9.14m	14.02m

#### Rule 182.4

Add: The minimum opening height for all competitors shall be 1m. An athlete with Downs Syndrome who has been diagnosed with Atlanto-axial instability may not participate in the High Jump and Pentathlon.

#### Rule 185.1

Add: Each competitor is allowed 3 jumps (non-consecutive). An athlete must be able to jump at least 1m, which is the maximum distance between the take-off board and the sand pit.

#### Rule 188.1

Add: Each competitor shall be allowed 3 throws (non-consecutive). The implement weights shall be:

Men 8-11 years old 2.72 kg/6 lbs.

Women 8-11 years old 2 kg/4.41 lbs.

Men 12 and older 4 kg/8.13 lbs.

Women 12 and older 2.72 kg/6 lbs.

#### Rule 200

Add: The Special Olympics Pentathlon shall consist of five events in the following order: 100m, Long Jump, Shot Put, High Jump, 400m. Scoring shall be done using Special Olympics scoring tables. The Pentathlon should be competed as a one-day event, but 2 days can be used with the first three events on the first day and the final two events on the second day.

#### Rule 232.2

Modification: Delete the second sentence of the definition. In effect, this means the athlete does not have to have a straight advancing leg while competing.

Add: In race walk event up to and including 400m, the competitor shall be disqualified with no prior warning when, in the opinion of two or more judges, an advantage has been gained.

The following are recently enacted rule changes that supersede those found at the SO website noted above. The rule numbers in the following refer to the rule numbers in the SO rules found at the above website.

### **2012-2014 Special Olympics Competition Rule Changes:**

The following rule modifications replace Sections B.1.a.1, 2, 4, and 5:

1) In running events: 100m, 200m, 400m, 100m Hurdles, 110m Hurdles, 4x100m and 4x400m, the athletes have the option of using or not using blocks. In these events the commands of the starter shall be "On your marks", "Set" and when all athletes are steady, the gun shall be fired.

2) In all other running events, all walking events and all wheelchair races, the commands shall be “on your marks” and, when all competitors are steady, the gun shall be fired. A competitor shall not touch the ground with his/her hand(s).

NOTE: In Special Olympic World Summer Games International competitions the commands of the starter shall be given in English.

4) a) 800 meters distance: Runner will run in the lanes through the first turn as far as the nearer edge of the break line where athletes may leave their respective lanes.

5) a) 4 x 400 meters: (The second sentence shall read as follows): The second leg runner will start in his/her lane and will run in the lanes through the first turn as far as the nearer edge of the break line where athletes may leave their respective lanes. (The remainder of the section should remain as written)

The following rule modification replaces Section B.2.a.1):

a. Measurements:

1) (Replace sentence three to read as follows and add sentence 4) The longest measurement of the three attempts shall be used for scoring. For the athletes having the same best performances the second best and the third best, if necessary, shall be used.

The following rule modification replaces Section B.2.b.1):

1) In the long jump, an athlete must be able to jump at least 1 meter, which is the maximum distance between the take-off board and the sand pit.

The following rule modification replaces Section B.2.e.6.b):

b) Causes the shot to fall on or outside the lines marking the landing sector.

The following rule modifications shall be placed in Section B.2.h (current rule shall remain as worded except as modified below):

- Clarification and Addition: Revise specification Tables for 300 and 400 g Mini Javelin. Add Specification Table for 500 and 600 g Mini Javelin. (Specification Tables left out for brevity).

- Change B.2.h.4 to read as follows: The nominal minimum weights shall be 300g for Women and Men (8 to 10 years old) , 400g for Women and 400g for Men (11–15 years old), 500g for Women and 600g for Men (16 years and older).

- Change B.2.h.9: Add: d) to read as follows: Where the competitor touches with any part of the body, the arc as marked or any ground beyond the arc or throwing box (see javelin competition layout

- Add: B.2.h.10 to read as follows: The measurement of each throw shall be made from where the tip first struck the ground to the inside edge of the arc.

The following rule shall be added in both Section B.1 and Section B.2:

B.1.e/B.2.i. For all competition, the use of a wind gauge and the recording of wind readings are not required.

The following rule shall be added in Section B.2:

j. For individual field event competitions and combined events (long jump, standing long jump and throws), a competitor shall be charged with a foul if the competitor does not initiate an attempt within 1 minute after the competitor's name has been called, in addition to a visual indication made by the event judge. For the High Jump, where there are three or more athletes remaining in the competition the time shall be 1 minute. Where there are 2 or 3 athletes remaining in the competition the time shall be 1.5 minutes. Where there is 1 remaining athlete in the competition the time shall be 2 minutes.

The following rule modification replaces Section A.21.d):

d. Women (8–11 years): 2.0 kg

The following rule modification replaces Section B.1.a.7):

7) False Starts

Any athlete responsible for a false start shall be warned. Only one false start per race shall be allowed without the disqualification of the athlete responsible for the false start. Any athlete responsible for further false starts in the race shall be disqualified.

## **USATF Open Class Adaptive Track and Field Division Meet Rules (for athletes age 18 and under)**

### **Description:**

Male and Female minimum Open Disabled Division USATF meets *where individual IPC athletic classification rules are not followed*. (These rules also are useable for high school competitions.)

### **Rationale:**

Add two (2) adapted divisions (Wheelchair & Ambulatory), for each sex, to the current USATF youth divisions, which will allow eligible athletes with disabilities to participate at *meets not following individual classification IPC Rules*.

### **Adaptive Track and Field Division.**

- (1) Boys Adapted Wheelchair Division
- (2) Boys Adapted Ambulatory Division
- (3) Girls Adapted Wheelchair Division
- (4) Girls Adapted Ambulatory Division

An athlete cannot compete in a USATF Able-bodied and Open Adapted Division at the same meet.

### **Adapted Track and Field Division Eligibility.**

- (1) All athletes ages 8 through 18 with a permanent, physical disability may be eligible to participate.
- (2) Each athlete's physical eligibility must be verified by the meet organizing committee. Athletes who participate must meet all USATF meet eligibility requirements.

### **Adapted Track and Field Division Events.**

Athletes will have the opportunity to compete at a minimum in the following non-IPC rule Open division events by gender (other events may be added based on the meet and the athletes competing):

- (1) Ambulatory 200 meter race,
- (2) Wheelchair 200 meter race,
- (3) Ambulatory 800 meter race,
- (4) Wheelchair 800 meter race,
- (5) Ambulatory Shot put,
- (6) Wheelchair Shot put.

Wheelchair shot put will be divided into two (2) wheelchair classifications based on the Athlete's level of disability.

Class 1: Will be for Wheelchair athletes with any disability of the lower extremities.

Class 2: Will be for Wheelchair athletes with disabilities that affect the lower and the upper extremities.

- (7) A meet's order of events shall be determined by meet management.
- (8) All adapted track and field participants shall be required to compete on the same day of the meet as their other division competitors.

### **Scoring.**

- (1) An adapted athlete will compete in their individual division by gender.

### **Awards.**

- (1) Places will be awarded the same as all other events depending on the depth of field.

### **Proof of Performance Submission.**



- (1) Depending on the meet qualification requirements, time and distance results for the qualifying period should be submitted (if appropriate) per the appropriate meet Proof of Performance form.

### **Finals Qualifying.**

- (1) Depending on meet requirements, the top times/distances submitted from the qualifying period (if appropriate) in each event by division and gender will be invited to participate.
- (2) Each event may be contested as finals only.

### **Finals Awards.**

- (1) Medals will be awarded depending on normal meet criteria.

## **Event Rules**

### **A. Wheelchair 200m and Wheelchair 800m Races:**

#### **(Other Track events may be contested if approved by the Meet Director)**

The track events shall follow all USATF rules with the following modifications:

1. Racing Track chair Specifications. (Normal wheelchairs are acceptable if approved by the meet director):
  - a. The track chair shall have two rear wheels and one front wheel.
  - b. The track chair frame shall not extend in front of the center of the front wheel hub.
  - c. The track chair may have no mechanical gears or levers that would propel the chair.
  - d. The steering must be hand operated. NO electronic steering is allowed.
  - e. NO part of the track chair or frame may protrude to the rear past the furthest point of the rear wheel.
  - f. Athlete's lower limbs must be secured to the track chair. Any touch of the ground by the lower limb results in disqualification from the event.
  - g. Competitors are responsible for the proper functioning of the track chair. No event shall be delayed for equipment failure prior to event.
2. Wheels:
  - a. The maximum diameter of the rear wheel and inflated tire is 70 cm.
  - b. The maximum diameter of the front wheel and inflated tire is 50 cm.
  - c. Each rear wheel may have one hand rim.
3. Helmet and Gloves:
  - a. All competitors must wear a CPSC certified helmet (Bike/Skate)
  - b. All competitors must start each event using gloves.
4. Athletes may only propel the chair forward by pushing on the wheels or hand rims.
5. The Start: The Center of the front axle (axle plane) may not extend over the starting line.
6. The Finish: The finish of the race occurs when the center of the front axles (axle plane) crosses the finish line.
7. Wheeling in Lane: In the 200m or any in-lane race competitors must stay in their designated lane. Touching or crossing the inner lane line in the curve for more than 10 consecutive feet results in disqualification. Crossing a lane line (inner or outer on the curve or straight) for any distance and impeding another competitor results in disqualification.
8. Passing or changing lanes: In the 800m or any race run out of lane, competitors must have full clearance of another athlete's front wheel in order to pass or move into another lane. Failure to pass or change lanes correctly will result in disqualification.
9. The start for the 800m shall be started in lanes. Athletes shall start from the one turn stagger start lines and remain in-lane for 100m before breaking.

10. Obstruction:
  - a. Athletes may not intentionally touch or obstruct another competitor during an event.
  - b. Any obstruction of another athlete may result in disqualification.

## **B. Wheelchair Shot Put:**

### **(Other field events may be contested if approved by the Meet Director)**

The Wheelchair Shot Put shall follow all USATF rules with the following modifications (note: the Ambulatory Shot Put shall follow normal USATF rules for the Shot Put):

1. All competitors must put the shot from a “chair” (manual wheelchair, throwing chair, power wheelchair). Scooters and “standing chairs” will not be allowed.
2. The upper most part of the cushion/seat on any chair may not exceed 75 cm (29.5inches) above the ground. The cushion/seat must be square or rectangular in shape, with each side at least 30cm in length.
3. The chair will be considered an extension of the athletes’ body. For example: any part of the chair touching the top of the stop board is a foul.
4. The chair may have
  - a. A solid vertical and/or horizontal, non-bending, holding bar.
  - b. A solid back connected at 90 degrees to the seat.
  - c. Non-elastic strap(s) holding the athlete’s body and/or feet to the chair.
  - d. Straps connected to hold-down stakes in or out of the throwing ring.
5. There will be two (2) classifications for both boys and girls.
  - a. The classifications will be Class 1 and Class 2.
    - Class 1 will be for athletes with any disability of the lower extremities (spinal cord injury, amputation, spina bifida, cerebral palsy, orthopedic injuries), for example: severe, permanent injuries in the knee, ankle, and hips.
    - Class 2 will be for athletes with disability that affect lower and upper extremities (cervical spinal, cerebral palsy, muscular dystrophy, traumatic brain injury.)
    - Class 2 athletes are eligible to compete in Class 1. However, if they choose to compete in Class 1, they cannot compete in Class 2.
  - b. Boy’s class 1 will use a: 8.81 lb./4.0 kg. shot.
  - c. Boy’s class 2 will use a: 6 lb. shot.
  - d. Girl’s class 1 and 2 will use a: 6 lb. shot.
6. A coach may assist the athlete entering and leaving the circle.
7. The Open division Shot Put:
  - a. All athletes must compete from a chair in a fully seated position.
  - b. The athlete must sit so that both legs are in contact with the seat surface from the back of the knee to the back of the buttock (Ischial tuberosity)
  - c. This sitting position must be maintained throughout the throwing action until the throw has been marked. Strapping across the upper thighs and or pelvis is encouraged.
  - d. An athlete shall commence his trial from a stationary seated position.
  - e. An athlete is not allowed to touch the strap(s) outside the vertical plane of the throwing circle.
  - f. It shall be a failure if an athlete moves from the seated position from the time the athlete takes the implement into the starting position of the trial until the throw has been marked by an official.
  - g. Once the athlete’s chair has been tied down in throwing position, the athlete will be permitted all six attempts consecutively, with a brief

break between attempts 3 and 4 to allow the coach to adjust strapping and talk with the athlete.

Note: The intention of this rule is to minimize contribution of the legs to the athlete's performance.

**APPENDIX I**  
**Throwing Events – IPC Athletics Implement Weights**

**Note:** IPC Field Event and Pentathlon point tables are available on the IPC website (<http://ipc-athletics.paralympic.org/Rules/>).

**Events for visually impaired athletes (F11-13) & athletes with learning difficulties (F20)**

Age Group	Classes	Discus Male	Discus Female	Javelin Male	Javelin Female	Shot Put Male	Shot Put Female
Open	F11-13 & F20	2.00kg	1.00kg	800gr	600gr	7.26kg	4.00kg
U/20	F11-13 & F20	1.75kg	1.00kg	800gr	600gr	6.00kg	4.00kg
U/18	F11-13 & F20	1.50kg	1.00kg	700gr	600gr	5.00kg	4.00kg
U/16	F11-13 & F20	1.00kg	1.00kg	700gr	600gr	4.00kg	4.00kg
U/14*	F11-13 & F20	0.75kg	0.75kg	400gr	400gr	3.00kg	3.00kg
U/11*	F11-13 & F20	0.75kg	0.75kg	300gr	300gr	2.00kg	2.00kg

\* Note: Not included in IPC tables.

**Events for athletes with cerebral palsy (F31-38)**

Age Group	Classes	Discus Male	Discus Female	Javelin Male	Javelin Female	Shot Put Male	Shot Put Female	Club Male & Female
Open, U/20 & U/18	F31	NE	NE	NE	NE	NE	NE	397gr
	F32	1.00Kg	1.00Kg	NE	NE	2.00Kg	2.00Kg	397gr
	F33	1.00Kg	1.00Kg	600gr	600gr <sup>1</sup>	3.00Kg	3.00Kg	NE
	F34	1.00Kg	1.00Kg	600gr	600gr <sup>1</sup>	4.00Kg	3.00Kg	NE
	F35	1.00Kg	1.00Kg	600gr	600gr <sup>1</sup>	4.00Kg	3.00Kg	NE
	F36	1.00Kg	1.00Kg	600gr	600gr <sup>1</sup>	4.00Kg	3.00Kg	NE
	F37	1.00Kg	1.00Kg	600gr	600gr <sup>1</sup>	5.00Kg <sub>2</sub>	3.00Kg	NE
U/16	F38	1.50Kg	1.00Kg	800gr	600gr <sup>1</sup>	5.00Kg <sub>2</sub>	3.00Kg	NE
	F31	NE	NE	NE	NE	NE	NE	397gr
	F32	750gr	750gr	NE	NE	1.00Kg	1.00Kg	397gr
	F33	750gr	750gr	500gr	500gr	2.00Kg	2.00Kg	NE
	F34	750gr	750gr	500gr	500gr	3.00Kg	2.00Kg	NE
	F35	750gr	750gr	500gr	500gr	3.00Kg	2.00Kg	NE
	F36	750gr	750gr	500gr	500gr	3.00Kg	2.00Kg	NE
	F37	750gr	750gr	500gr	500gr	3.00Kg	2.00Kg	NE
F38	750gr	750gr	500gr	500gr	3.00Kg	2.00Kg	NE	
U/14*	F31	750gr	750gr	NE	NE	NE	NE	397gr
	F32	750gr	750gr	NE	NE	1.00Kg	1.00Kg	397gr
	F33	750gr	750gr	400gr	400gr	2.00Kg	2.00Kg	NE
	F34	750gr	750gr	400gr	400gr	2.00Kg	2.00Kg	NE
	F35	750gr	750gr	400gr	400gr	2.00Kg	2.00Kg	NE
	F36	750gr	750gr	400gr	400gr	2.00Kg	2.00Kg	NE
	F37	750gr	750gr	400gr	400gr	3.00Kg	2.00Kg	NE
	F38	750gr	750gr	400gr	400gr	3.00Kg	2.00Kg	NE
U/11*	F31	750gr	750gr	NE	NE	NE	NE	397gr
	F32	750gr	750gr	NE	NE	1.00Kg	1.00Kg	397gr
	F33	750gr	750gr	300gr	300gr	1.00Kg	1.00Kg	NE
	F34	750gr	750gr	300gr	300gr	1.00Kg	1.00Kg	NE
	F35	750gr	750gr	300gr	300gr	1.00Kg	1.00Kg	NE
	F36	750gr	750gr	300gr	300gr	1.00Kg	1.00Kg	NE

	F37	750gr	750gr	300gr	300gr	2.00Kg	2.00Kg	NE
	F38	750gr	750gr	300gr	300gr	2.00Kg	2.00Kg	NE

\* Note: Not included in IPC tables.

<sup>1</sup> F33-38 Javelin Female (U18) – 500gr

<sup>2</sup> F37-38 Shot Put Male (U18) – 4.00kg

### Events for the dwarf, amputee and/or les autres athletes

Age Group	Classes	Discus Male	Discus Female	Javelin Male	Javelin Female	Shot Put Male	Shot Put Female
Open & U/20	F40	1.00Kg	750gr	600gr	400gr	4.00Kg	3.00Kg
	F42, F41	1.50Kg	1.00Kg	800gr	600gr	6.00Kg	4.00Kg
	F44, F43	1.50Kg	1.00Kg	800gr	600gr	6.00Kg	4.00Kg
	F46	1.50Kg	1.00Kg	800gr	600gr	6.00Kg	4.00Kg
U/18	F40	1.00Kg	750gr	500gr	400gr	3.00Kg	2.00Kg
	F42, F41	1.00Kg	1.00Kg	700gr	500gr	5.00Kg	3.00Kg
	F44, F43	1.00Kg	1.00Kg	700gr	500gr	5.00Kg	3.00Kg
	F46, F45	1.50Kg	1.00Kg	700gr	500gr	5.00Kg	3.00Kg
U/16	F40	1.00Kg	750gr	400gr	400gr	3.00Kg	2.00Kg
	F42, F41	1.00Kg	1.00Kg	600gr	400gr	4.00Kg	3.00Kg
	F44, F43	1.00Kg	1.00Kg	600gr	400gr	4.00Kg	3.00Kg
	F46, F45	1.00Kg	1.00Kg	600gr	400gr	4.00Kg	3.00Kg
U/14*	F40	0.750gr	750gr	400gr	400gr	2.00Kg	2.00Kg
	F42, F41	0.750gr	750gr	400gr	400gr	3.00Kg	2.00Kg
	F44, F43	0.750gr	750gr	400gr	400gr	3.00Kg	2.00Kg
	F46, F45	0.750gr	750gr	400gr	400gr	3.00Kg	2.00Kg
U/11*	F40	0.750gr	750gr	300gr	300gr	2.00Kg	2.00Kg
	F42, F41	0.750gr	750gr	300gr	300gr	2.00Kg	2.00Kg
	F44, F43	0.750gr	750gr	300gr	300gr	2.00Kg	2.00Kg
	F46, F45	0.750gr	750gr	300gr	300gr	2.00Kg	2.00Kg

\* Note: Not included in IPC tables.

### Events for seated or secured throwers (F51-F58)

Age Group	Classes	Discus Male	Discus Female	Javelin Male	Javelin Female	Shot Put Male	Shot Put Female	Club Male & Female
Open & U/20	F51	1.00kg	1.00kg	NE	NE	NE	NE	397gr
	F52	1.00Kg	1.00Kg	600gr	600gr	2.00Kg	2.00Kg	NE
	F53	1.00Kg	1.00Kg	600gr	600gr	3.00Kg	3.00Kg	NE
	F54	1.00Kg	1.00Kg	600gr	600gr	4.00Kg	3.00Kg	NE
	F55	1.00Kg	1.00Kg	600gr	600gr	4.00Kg	3.00Kg	NE
	F56	1.00Kg	1.00Kg	600gr	600gr	4.00Kg	3.00Kg	NE
	F57	1.00Kg	1.00Kg	600gr	600gr	4.00Kg	3.00Kg	NE
	F58	1.00Kg	1.00Kg	600gr	600gr	5.00Kg	4.00Kg	NE
U/18	F51	750gr	750gr	NE	NE	NE	NE	397gr
	F52	750gr	750gr	500gr	500gr	2.00Kg	2.00Kg	NE
	F53	750gr	750gr	500gr	500gr	3.00Kg	2.00Kg	NE
	F54	1.00Kg	1.00Kg	500gr	500gr	3.00Kg	2.00Kg	NE
	F55	1.00Kg	1.00Kg	500gr	500gr	3.00Kg	2.00Kg	NE
	F56	1.00Kg	1.00Kg	500gr	500gr	3.00Kg	2.00Kg	NE
	F57	1.00Kg	1.00Kg	600gr	500gr	3.00Kg	2.00Kg	NE
	F58	1.00Kg	1.00Kg	600gr	500gr	4.00Kg	3.00Kg	NE

U/16	F51	750gr	750gr	NE	NE	NE	NE	397gr
	F52	750gr	750gr	400gr	400gr	2.00Kg	2.00Kg	NE
	F53	750gr	750gr	400gr	400gr	2.00Kg	2.00Kg	NE
	F54	750gr	750gr	400gr	400gr	2.00Kg	2.00Kg	NE
	F55	750gr	750gr	400gr	400gr	2.00Kg	2.00Kg	NE
	F56	750gr	750gr	400gr	400gr	2.00Kg	2.00Kg	NE
	F57	1.00Kg	750gr	500gr	400gr	2.00Kg	2.00Kg	NE
	F58	1.00Kg	750gr	500gr	400gr	3.00Kg	3.00Kg	NE
U/14*	F51	750gr	750gr	NE	NE	NE	NE	397gr**
	F52	750gr	750gr	400gr	400gr	2.00Kg	2.00Kg	NE
	F53	750gr	750gr	400gr	400gr	2.00Kg	2.00Kg	NE
	F54	750gr	750gr	400gr	400gr	2.00Kg	2.00Kg	NE
	F55	750gr	750gr	400gr	400gr	2.00Kg	2.00Kg	NE
	F56	750gr	750gr	400gr	400gr	2.00Kg	2.00Kg	NE
	F57	750gr	750gr	400gr	400gr	2.00Kg	2.00Kg	NE
	F58	750gr	750gr	400gr	400gr	3.00Kg	3.00Kg	NE
U/11*	F51	750gr	750gr	NE	NE	NE	NE	397gr**
	F52	750gr	750gr	300gr	300gr	2.00Kg	2.00Kg	NE
	F53	750gr	750gr	300gr	300gr	2.00Kg	2.00Kg	NE
	F54	750gr	750gr	300gr	300gr	2.00Kg	2.00Kg	NE
	F55	750gr	750gr	300gr	300gr	2.00Kg	2.00Kg	NE
	F56	750gr	750gr	300gr	300gr	2.00Kg	2.00Kg	NE
	F57	750gr	750gr	300gr	300gr	2.00Kg	2.00Kg	NE
	F58	750gr	750gr	300gr	300gr	2.00Kg	2.00Kg	NE

\* Note: Not included in IPC tables.

\*\* Softball 11”

# INDEX

<b>Topic</b>	<b>Rule</b>
<b>A</b>	
Absence during competition .....	180.9(c)
Adhesive tape .....	170.5, 187.3, 183.3, 193.7, 30.2(f)
Age Groups .....	141
General .....	141
Junior .....	141
Masters .....	141, 320
Youth .....	141, 300.1(b)
Announcer .....	134
Assistance	
Field Events .....	144, 187, 302.5(j)
General .....	144
Race Walking .....	232.4
Relays .....	170.19
Road Races .....	241.2
Track Events .....	144
<b>B</b>	
Bandage .....	144.3(h)
Banking .....	213.9
Batons .....	170
Bell .....	131.3
Bibs .....	143
Blocks .....	See Starting blocks
Blue Flag .....	251, 304
Bona fide effort – see also Disqualification .....	142.3, 142.4, 149, 163.4, 262.3
Breakline – see Cut In Point .....	160.8(c), 170, 217
<b>C</b>	
Cages – Throwing .....	187, 190
Call Room Judges – duties .....	See Clerk of Course -Duties
Call Room Referee – duties .....	125.2
Cartwheeling technique .....	See Shot Put
Caution .....	See Warning
Assistance .....	125.8, 144.2
Race Walking .....	230.2
Road Race .....	125.9
Certification	
Implements .....	139.2, 148.3, 187.10-14
Road Race Courses .....	240, 265.3, 265.5(c)
Tracks .....	160, 211, 212
Change of competition area .....	180.1
Check Marks .....	163.2, 170.5, 180.20-22, 302.2(f)
Clerk of Course – Duties .....	138
Clothing .....	143
Combined Events .....	200, 201.2, 222
Conditions for Records .....	260-268
Decathlon .....	200
Heptathlon .....	200.2, 222.1
Indoors .....	222
Pentathlon .....	200, 201, 202, 222
Referee .....	125.11, 200.5, 200.7, 200.8, 200.15

Rest interval between events .....	200.4
Scoring .....	200.10, 332.2(b)
Combined Events	
Ties in final classification .....	200.12
Ties in Team Competitions .....	7.9(b)
Timing .....	200.11, 200.13
Throw-a Thon .....	202
Throws Pentathlon .....	201
Ultraweight Pentathlon .....	203
Competing order – Field Events .....	180.2-3
Competition Director – duties .....	111.5
Competition Secretary – duties .....	125.6, 132
Cross bars .....	181.1
Cross Country .....	15, 250-255
Curb .....	160.00
Indoors .....	212.2, 212.10
Measuring track length .....	160.2
Replaced by cones .....	160.1, 160.3, 212.10
Cut In Point (also see Breakline) .....	160.8(c), 170, 217
<b>D</b>	
Decathlon .....	200
Delay between trials – Field Events .....	180.9(d)ii
Discus Throw .....	189
Cage .....	190
Disqualification from competition .....	125.8, 144.2, 144.6, 145, 163.5
Assistance .....	144.2, 144.3(a-d), 144.4, 144.6
Combined Events .....	200.7
Identification of infringement in results .....	125.8, 145, 232.3(a)
Misconduct .....	125.8, 145.2, 145.3, 162.8, 162.15
Race Walking .....	230.3
Road Running .....	241.2(c), 242.6, 243.4
Draw	
Combined Events .....	200.5, 302.6
Field Events .....	180.2, 180.3
Track Events .....	166, 214, 303
Drink and refreshment stations .....	144.9, 232.4, 241
<b>E</b>	
Eligibility .....	1, 2.5, 3.1, 4
Simultaneous entries .....	180.9
Event Presentation Manager – duties .....	124
Event Times (Maximum) .....	180.8(d)ii
<b>F</b>	
Failure	
Discus .....	187
Hammer .....	187, 191
High Jump .....	182.2, 182.3
Javelin .....	187, 193
Long Jump .....	185
Pole Vault .....	183.5
Shot .....	187, 188
Triple Jump .....	185, 186
To participate .....	142.3, 142.4
Weight .....	187, 191, 195



Ultraweight .....	203
False Start .....	See Start
Finish line .....	164, 213.6, 244, 254.2
Finish of race .....	164.2, 212.5, 255
Fixed time races .....	163.8
Fully Automatic Timing .....	165.9-12

## G

Gloves .....	183.3, 187.4(b)
Green card .....	1.1(f), 162.11, 162.13 Note

## H

Hammer Throw .....	187, 191
Cage .....	190
Implement details .....	191
Hand Timing .....	165.5-8
Heats – see also Draw .....	166, 214, 303
Heptathlon .....	200.2, 222.1
High Jump .....	181, 182
Indoors .....	218
Ties .....	181.9
Honest Participation .....	142.3, 163, 302.2(g)
Horizontal Jumps .....	185, 186, 220
Hurdles .....	168, 301, 302.4(a), 332.2(i-k)
Indoors .....	216

## I

Implements .....	See Official implements
Implements by Age Group .....	10.2(a), 11.2(a), 200.14, 301, 332.3(g)
Indoor Stadium .....	211

## J

Javelin Throw .....	187, 193
Mini Javelin.....	193.10
Unorthodox technique .....	193.1(b)
Valid throw .....	193.1, 302.5(i)
Judges – duties .....	126
Junior Definition.....	141
Jury of Appeal .....	27.2(a), 110, 119, 125.4, 146.7, 146.9

## K

## L

Lanes .....	160, 163, 211
Lane running .....	163.5
Number of lanes .....	211.3-4
Indoors .....	212.3-4, 214, 1(b), 214.2
Outdoors .....	160.1
Lap Indicator .....	131.3
Lap Scorer – duties .....	131
Leaving the track or course .....	163.6, 243.4
Location change in Field Events .....	180.1
Long Jump .....	184, 185
Indoors .....	220

## M

Manager .....	
Medical .....	110.5
Event Presentation – duties .....	124
Meeting – duties .....	111.4

Technical – duties .....	125
Markers .....	See Check Marks
Track .....	163.2, 170.11
Field .....	180.17, 180.20-22
Marshal – duties .....	133
Masters – definition .....	141, 320
Measurements .....	148, 160, 181.2, 185.3, 187.7
Measurement Judge – duties .....	137, 264.3
Medical examination .....	144.3(f), 144.3(g), 241.1(a)
Medical staff .....	See Official medical staff
Meet Manager – duties .....	111.4
Mini Javelin .....	193.10
Misconduct .....	See Disqualification
Mixed Competition .....	147, 320.8, 332.1(b)
Mountain Races .....	253
Multi Events .....	See Combined Events

## N

National Technical Officials .....	115
Net Times .....	165.16
Number bibs .....	See Bibs

## O

Obstruction	
Relay Races .....	170.15, 170.18, 217.3 Note
Track Events .....	163.4, 212.5
Official implements .....	10.2, 11.2, 139.2, 186, 188, 189, 191-193, 196, 301, 332.3(g)
Official medical staff .....	144, 241
Official time .....	165
Officials of the competition .....	110
Oral protest .....	146.3, 146.6
Order of Events .....	125.12, 166.4
Order in Field Events .....	180.3, 180.4(f) & (g), 180.6(g), 180.9(a) & (c)

## P

Participation “under protest“ .....	146.4, 146.6(b), 146.7, 180.4(f)
Pentathlon .....	200-203, 222
Photo Finish .....	165
Requirements of the FAT System .....	165.9-12
Zero control operation .....	165.10(c)
Zero control test for Records .....	260.4(c)
Photo Finish Judges .....	128, 165.9-15
Place of Competition – change .....	180.1
Plasticine Indicator Board - specifications .....	185.7
Pole Vault .....	181, 183
Crossbar .....	181.11
Height progression .....	181.1
Indoors .....	219
Taping .....	183.8
Ties .....	181.9
Posting Board .....	230.3(g)
Practice trials .....	180.7, 180.9, 180.14
Protests and appeals	
Competing “under protest“ .....	146.4, 146.6(b), 146.7, 180.4(f)
Eligibility to compete .....	146.1
Jury of Appeal .....	110, 146.1, 146.8

Procedures .....	146.2-7
Right of appeal .....	146.4, 146.7, 146.8
Time limits .....	146.2, 146.8
Q	
Qualifying competition – Field Events .....	180.6
Qualifying Standards .....	6.7, 20.6, 180.6
R	
Race Walking .....	230-232
Transponder Timing .....	165.16
Reaction time .....	161.4
For Records .....	260.4(d)
Recall Starter .....	129, 161.4-5, 162.11, 162.15-16, 165.10(b)
Records .....	260-268
Red card – Referee .....	125.9, 162.13
Red card – Race Walking .....	230.3(a-c, f-g)
Red flag .....	126.8, 251.2
Red Paddle-Race Walking .....	230.3(c), 230.3(e-f)
Referee .....	125
Appointed by .....	10.1, 11.1, 12.1, 27.2(b), 110.3
Protests – duties .....	146.7
Refreshments	
Race Walking .....	232.4
Road Races .....	241.2
Track Races .....	144.9
Relay Races .....	170, 302.3, 332.2(f), 332.2 (j)
Indoor events .....	261-268
Records .....	261, 262, 263
Team membership .....	170.18-22, 170.24, 302.3, 332.2(f), 332.2(j)
Rest Time between event .....	200.4(c), 214.2(f)
Results	
Announcing .....	134
Result card .....	125.8, 147, 200.7
Field Events.....	180.5
Signing .....	115.6, 125.6
System .....	128.7, 132.2, 165.16
Track Events .....	128.7, 132.2, 165.16
Road Races	
Course Certification .....	240.3
Drinks and refreshment stations .....	241
Records .....	261, 262, 265
Safety and medical .....	241
Standard distances .....	16, 20
Start .....	242
Transponder Timing .....	165.16
Road Relay	
Baton/Sash .....	170.15
Distances .....	16.7, 20.4
Records .....	261, 262, 265
S	
Seeding of Track Events .....	166, 303
Indoors .....	214
Seeding of Field Events .....	180.3, 180.6(g)
Shoes .....	143.3

Shot Put .....	187, 188
Indoors .....	221
Implement details .....	188
Spikes .....	See Shoes
Sponging .....	144.9, 232.4, 241.2
Start .....	129, 162, 212.3, 242, 252
Commands .....	162.3, 242.5, 252.1
Cross Country .....	252
False start .....	129.2, 162, 242.5, 252.1, 302.2(d), 332.2(c)
Protests .....	146.4, 146.5
Reaction time .....	161.4
Road Races .....	242
Split start .....	162.18
Start line .....	162.1
Start Coordinator – see Chief Starter .....	129.1
Starter and Recallers – duties .....	129, 162, 200.3(c)
Starting Blocks .....	161, 302.2(e), 332.2(d)
False start control apparatus .....	125.3, 129.5, 146.5, 161.4, 162.12, 162.17
Steeplechase .....	169
Stop board .....	187.21
Surveyor – duties .....	135
<b>T</b>	
Take-off board .....	185, 186
Take-over zones .....	170
Team Scoring .....	5.1(c), 7, 15.5
Technical Information Center (TIC).....	132.4
Technical Manager – duties .....	123
Throwing Events – general conditions .....	187
Ties	
Combined Events .....	200.13
Horizontal Jumps .....	180.15
Individual .....	9.4, 13.5(b), 167, 180.15, 181.9, 200.13
Teams .....	7.6(d), 7.9(b)
Throwing Events .....	180.15
Track Events .....	167
Vertical Jumps .....	181.9
Time Clock .....	180.9(d)iv
Timing .....	165
Hand (HT) .....	165.5-8
Fully Automatic (FAT) .....	165.9-12
Video .....	165.13-14
Transponder .....	165.15
Timekeepers – duties .....	128, 165, 180.9(d)
Chief Timekeeper .....	128
Appointment .....	110.3
Duties .....	128.1, 165, 180.9(d)iv
Track Measurement .....	160
Certification .....	160.9 Note
Inclination .....	160.5
Trail, Ultramarathon and Mountain Running .....	254
Transponder Timing System .....	165.15
For Records .....	265.1
Trials recorded (Field Events) .....	126.7, 180.5

Triple Jump .....	185, 186
Indoors .....	220
Wind measurement .....	136, 163.10-14, 184.8
U	
Ultraweight .....	196
Ultraweight Pentathlon .....	202
Umpires – duties .....	110, 127, 230.1(g), 230.3(g), 251.6-7
Uprights .....	168
High Jump .....	181.10
W	
Warnings	
Road Racing .....	125.9, 243.4
Unsportsmen Conduct .....	125.8
White Flag .....	126.8
Y	
Yellow Card Referee .....	125.9
Yellow Flag .....	127.4, 180.8(d)iv, 251.2
Yellow Paddle .....	230.3
Youth Definition .....	141.300.1(b)

## CONVERSION TABLE

METERS	FEET & DECIMALS	FEET & INCHES	
50	164.05	164	17/32"
60	196.85	196	10 7/32
100	328.09	328	1 1/32
200	656.17	656	2 1/32
300	984.26	984	3 1/32
400	1,312.34	1,312	4 1/16
500	1,640.42	1,640	5 1/16
600	1,968.51	1,968	6 1/16
800	2,624.68	2,624	8 3/32
1,000	3,280.84	3,280	10 3/32
1,500	4,921.26	4,921	3 1/8
2,000	6,561.68	6,561	8 3/16
3,000	9,842.52	9,842	6 1/4
4,000	13,123.36	13,123	4 11/32
5,000	16,404.20	16,404	2 13/32
6,000	19,685.04	19,685	1/2
7,000	22,965.88	22,965	10 9/16
8,000	26,246.72	26,246	8 21/32
9,000	29,527.56	29,527	6 3/4
10,000 (10Km.)	32,808.40	32,808	4 13/16

### Kilometers

15	49,212.60	49,212	7 7/32"
20	65,616.80	65,616	9 5/8
25	82,021.00	82,021	0
30	98,425.20	98,425	2 13/32
35	114,829.40	114,829	4 13/16
40	131,233.60	131,233	7 7/32
50	164,042.00	164,042	0
60	196,850.40	196,850	4 13/16
70	229,658.80	229,658	9 5/8
80	262,467.20	262,467	2 13/32
90	295,275.60	295,275	7 7/32
100	328,084.00	328,084	0



**USATF™**

**USATF.ORG**